

HUGE INVENTORY CLEAROUT



MERIDIAN 1050 & 1260 COMMERCIAL SEED TENDERS

SAVE UP TO \$50,000

Meridian Manufacturing is clearing out all in stock 1050 and 1260 Seed Tenders!

Meridian's Seed Express 1050 and 1260 are designed for farm operations that require large capacity seed tenders. This line offers the ideal blend of innovation, function and style. The Seed Express SR2 will enhance your on-farm operations while increasing productivity.

These new units come with a **One Year Warranty**. Call (800) 418-9461 for more information!



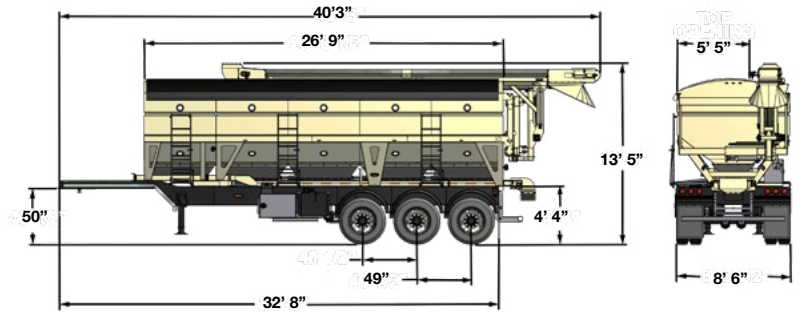
**Limited Quantities Available.
Ask About Finance and Payment Options.
Toll Free (800) 418-9461**

MERIDIAN[®]

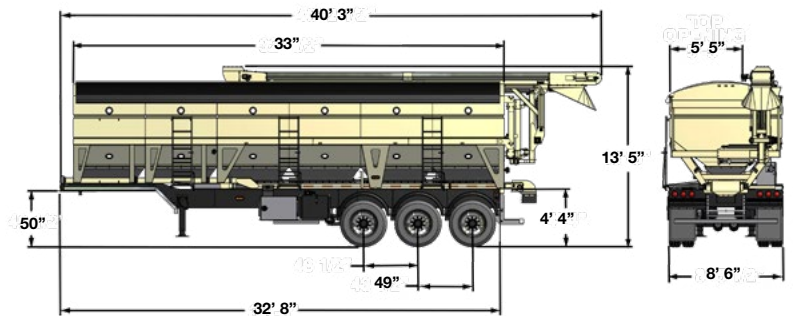
MERIDIAN SEED EXPRESS™ 1050 | 1260

FEATURES

- Intuitive full-function touch screen interface
- Synchronized underbin and incline conveyors
- Two incline conveyor lengths
 - ▶ 26' has a minimum discharge height of 19 1/2'
 - ▶ 17' has a minimum discharge height of 9 1/2'
- Deep trough, rod-style conveyor for increased capacity
- Innovative hydraulic design with dual-pump, split circuits and 2 gallon reservoir
- Powder coat finish
- Electric Agri Cover® Roll Tarp
- Full function wireless remote
- Access ladders along body of tender
- Low mounted power pack
- Ability to unload using the underbin conveyor alone
- Smooth gate operation
- Stainless steel hoppers



Model 1050 = 1050 UNITS/840 BUSHEL CAPACITY



Model 1260 = 1260 UNITS/1008 BUSHEL CAPACITY



Don't miss out on these
MASSIVE SAVINGS! Call us today
about availability and options.

TOLL FREE (800) 418-9461

MERIDIAN[®]
www.meridianmfg.com