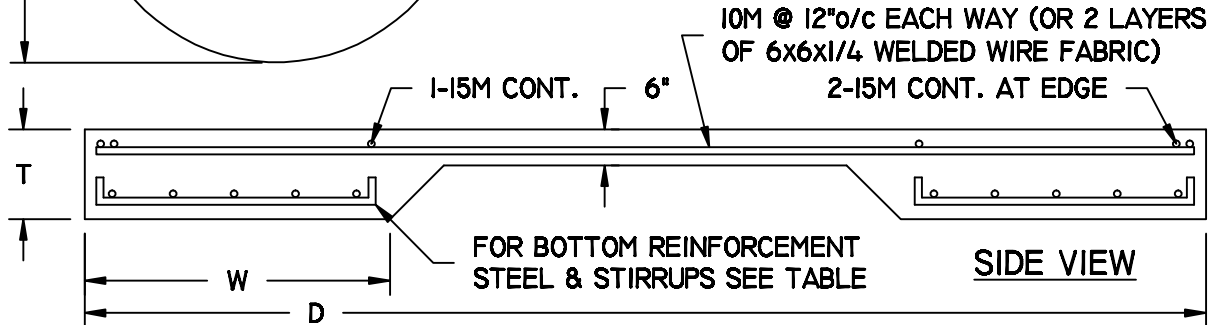


NOTES:

- REINFORCING STEEL TO BE DEFORMED BARS WITH A MIN. YIELD STRENGTH OF 40ksi (300 MPA)
- CONCRETE TO HAVE A MINIMUM 28 DAY STRENGTH OF 3000 PSI (20 MPA)
- PAD TO BE BASED ON FIRM GROUND WITH A BEARING CAPACITY OF 2000 PSF (100kN/M SQ)
- ALL TOP SILT AND SOFT GROUND BENEATH PAD TO BE REMOVED AND REPLACED WITH GRAVEL APPROX. M3 BASED ON EXACT DRAWING DIMENSIONS & SPECIFICATIONS NOTED ABOVE



STANDARD MODELS	D	T	W	REINF.	STIRRUPS	APPROX. M ³
1810 - 1825	19' 0"	18"	3' 6"	5 - 20M	10M AT 12" o/c	9.3
1625 - 1632	19' 0"	18"	3' 6"	5 - 20M	10M AT 12" o/c	9.3
1610 - 1620	18' 6"	16"	3' 0"	5 - 20M	10M AT 12" o/c	7.6
1410 - 1420	16' 6"	16"	3' 0"	4 - 20M	10M AT 12" o/c	6.3
1205 - 1215	14' 0"	14"	2' 6"	4 - 15M	10M AT 12" o/c	4.1
1010 - 1015	12' 6"	12"	2' 6"	3 - 15M	N/A	2.9
910 - 915	11' 6"	10"	2' 6"	3 - 15M	N/A	2.2
808 - 812	10' 6"	10"	2' 6"	3 - 15M	N/A	1.8
705 - 710	9' 6"	8"	2' 6"	3 - 15M	N/A	1.3

GRAIN MAX. MODELS	D	T	W	REINF.	STIRRUPS	APPROX. M ³
GM15300, 6400, 7500	19' 0"	18"	3' 6"	5 - 20M	10M AT 12" o/c	9.3
GM30000, 4000, 5000, 6000	19' 0"	16"	3' 0"	5 - 20M	10M AT 12" o/c	8.0
GM2000	16' 6"	16"	3' 0"	4 - 20M	10M AT 12" o/c	6.3
GM1000	14' 0"	10"	2' 6"	3 - 15M	N/A	3.2

THIS DRAWING IS THE EXCLUSIVE PROPERTY OF MERIDIAN MANUFACTURING GROUP AND MAY NOT BE DUPLICATED BY ANY MEANS WITHOUT THE SPECIFIC PERMISSION OF MERIDIAN MANUFACTURING GROUP



CUSTOMER:
BINFAM - ROUND BIN PAD (6)

PROJECT PARTS LIST

DRAWN BY: DL(5/19/11)
DATE DRAWN: 06/04/10