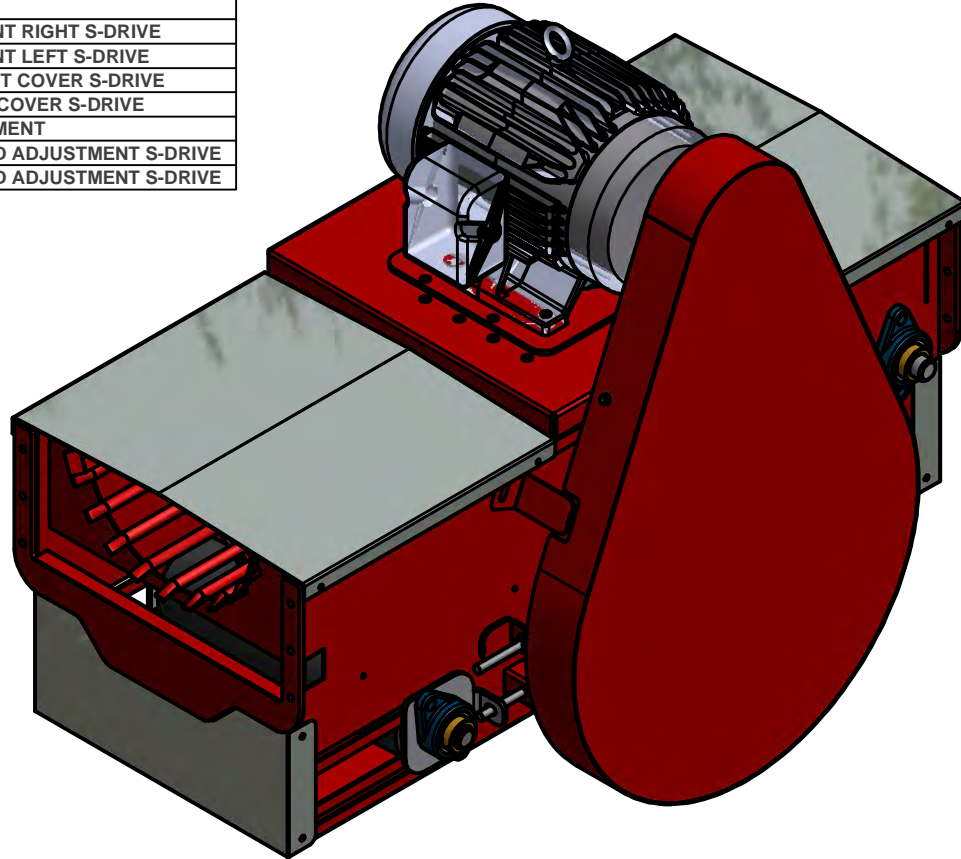



ITEM	QTY	MASS	PART NUMBER	DESCRIPTION
1	2	8.17 lbmass	27435	ROLLER METAL UNDER BIN
2	4	1.175 lbmass	27441	2 BOLT FLANGE BEARING ASSEMBLY
3	2	12.315 lbmass	B4100552	PINCH ROLLER UB S-DRIVE
4	1	21.645 lbmass	B4100553	UB DRIVE ROLLER S-DRIVE
5	1	220.491 lbmass	Baldor-GDM2333T	15 HP
6	12	0.055 lbmass	IFI - I0.5 - 13	Hex Flange Nut
7	2	0.019 lbmass	IFI 111 - 1/4-20 UNC x 0.5	Hex Flange Screw - Regular Thread - Inch
8	2	1.791 lbmass	P4105469	PLATE COVER ACCESS PORT S-DRIVE
9	1	11.677 lbmass	P4105472	MOTOR MOUNT PLATE S-DRIVE
10	1	4.004 lbmass	P4105481	FORMED COVER S-DRIVE
11	1	7.807 lbmass	P4105482	COVER TOP LARGE S-DRIVE
12	1	4.957 lbmass	P4105483	COVER TOP SMALL S-DRIVE
13	1	1.599 lbmass	P4105491	SCAPER BAR BOLT IN S-DRIVE
14	2	0.562 lbmass	P4105492	SCAPER HOLD DOWN
15	1	40.21 lbmass	Pulley 2V 22in	2B 22" pulley
16	1	3.600 lbmass	Pulley 2V 4in-2BK40-Assy	2B Pulley 4in
17	3	2.830 lbmass	S4103030	BEARING MOUNT RIGHT S-DRIVE
18	3	2.830 lbmass	S4103031	BEARING MOUNT LEFT S-DRIVE
19	1	21.735 lbmass	S4103033	OUTSIDE V-BELT COVER S-DRIVE
20	1	18.902 lbmass	S4103034	INSIDE V-BELT COVER S-DRIVE
21	1	170.493 lbmass	S4103069	S-DRIVE WELDMENT
22	3	0.33 lbmass	T4104257	THREADED ROD ADJUSTMENT S-DRIVE
23	2	0.67 lbmass	T4104261	THREADED ROD ADJUSTMENT S-DRIVE



			THIS DRAWING IS THE EXCLUSIVE PROPERTY OF MERIDIAN MANUFACTURING GROUP AND MAY NOT BE DUPLICATED BY ANY MEANS WITHOUT THE SPECIFIC PERMISSION FROM AN AUTHORITY OF MERIDIAN MANUFACTURING GROUP		
			PROJECT NAME:		MATERIAL:
DESIGNED BY:	DRAWN BY DATE:	SHEET SIZE:			PART WEIGHT: N/A
SJP	1/27/2014	A - SIZE			
DRAWN BY:	CHECKED BY DATE:	SCALE:	REV:	PART DESCRIPTION:	
SJP	1/27/2014		N/A	UNDER BIN S-DRIVE	
					PART NUMBER: S4103070