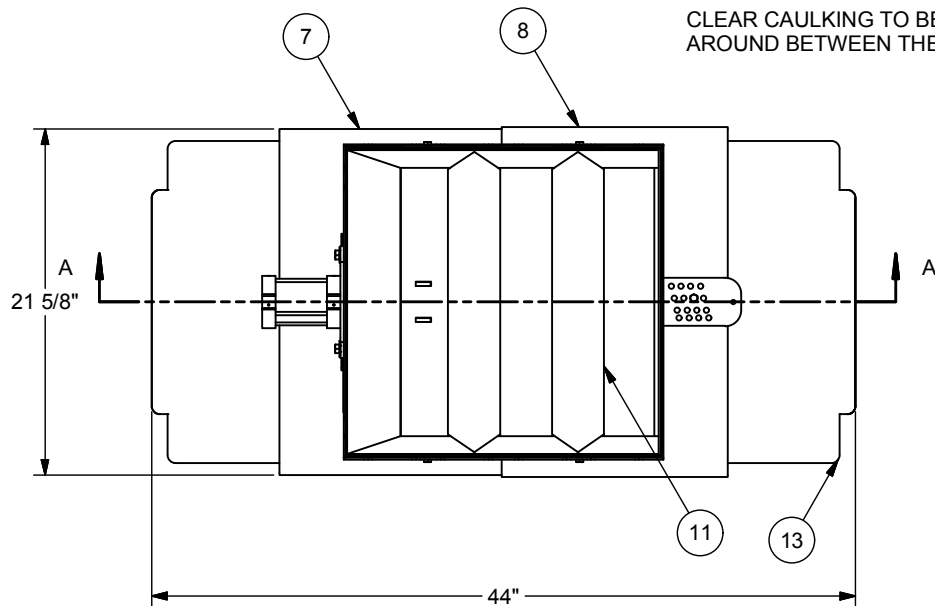
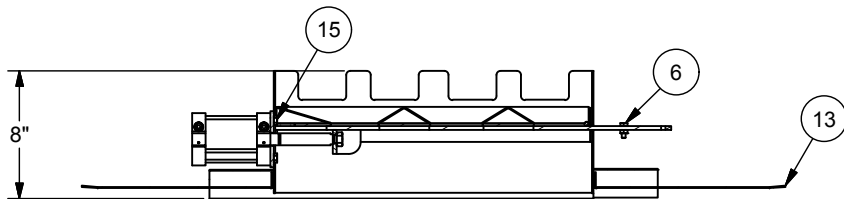
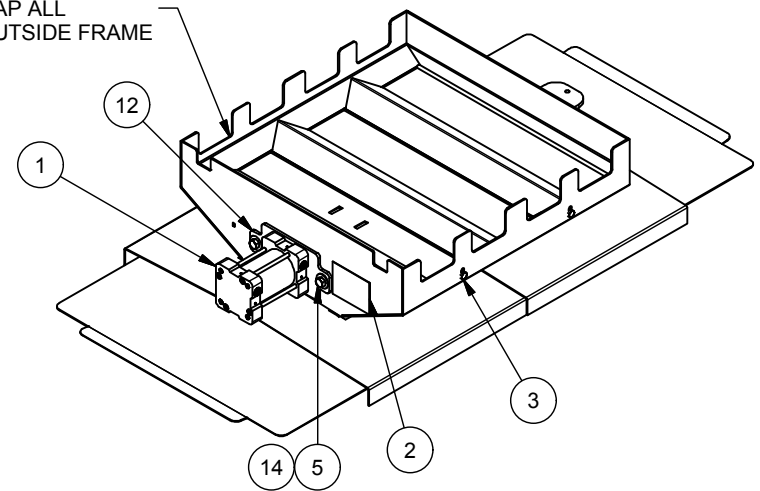



ITEM	QTY	MASS	PART #	DESCRIPTION
1	1	0.929 lbmass	17569	AIR CYLINDER McMASTER 6113K207
2	1	0.035 lbmass	17772	DECAL SAFETY COMPRESSION AIR
3	4	0.016 lbmass	19300	BOLT, HEX, 1/4-20 UNC X 0.5 Steel, Mild
4	1	0.008 lbmass	19305	NUT, HEX 1/4-20 UNC
5	2	0.044 lbmass	19324	BOLT, HEX, 3/8-16 UNC X 0.75 Steel, Mild
6	1	0.019 lbmass	19560	BOLT, HEX, 1/4-20 UNC X0.75
7	1	6.988 lbmass	24393	TRANSITION COVER LONG
8	1	4.458 lbmass	24394	TRANSITION COVER SHORT
9	1	15.975 lbmass	30744	WELDMENT AIR GATE BLADE
10	1	19.310 lbmass	37890	AIR GATE BODY PAINTED
11	1	15.944 lbmass	37891	AIR GATE INSERT PAINTED
12	1	1.014 lbmass	37892	AIR CYLINDER MOUNT PAINTED
13	1	12.698 lbmass	50063	TRANSITION SEAL ROD STYLE
14	2	0.012 lbmass	ANSI B18.22.1 - 3/8 - Regular - Type B	Washer, 3/8 - Regular - Type B Steel, Mild
15	4	0.025 lbmass	ANSI/ASME B18.2.1 - 5/16-18 UNC - 0.5	BOLT, HEX, 5/16-18 UNC X 0.5 Steel, Mild



CLEAR CAULKING TO BE APPLIED TO THE GAP ALL AROUND BETWEEN THE INSERT AND THE OUTSIDE FRAME



SECTION A-A
SCALE 1:12

REVISION HISTORY						
REV	DESCRIPTION		DATE	DESIGNER		
B	Released to manufacturing		2/17/2016	R.L.J.		
 www.meridianmfg.com			PROJECT/CUSTOMER NAME:			
			SEED SITE CONVEYORS			
<small>THIS DRAWING IS THE EXCLUSIVE PROPERTY OF MERIDIAN MFG INC. DUPLICATION BY ANY MEANS IS PROHIBITED WITHOUT PERMISSION FROM MERIDIAN MFG INC.</small>			PART DESCRIPTION:			
			AIR GATE ASSEMBLED RED			
<small>DRAWN BY: SJP</small> <small>DRAWN BY DATE: 11/10/2015</small> <small>CHECKED BY: Justin</small>			MATERIAL:		WEIGHT: N/A	
			PART/DRAWING NUMBER:		FABRICATION: XXX	
<small>DRAWN BY: SJP</small> <small>DRAWN BY DATE: 11/10/2015</small> <small>CHECKED BY: Justin</small>			<small>PART/DRAWING NUMBER: 40057</small>		<small>REV: B</small> <small>SCALE: 1:12</small> <small>SHEET No: 1 OF 1</small>	