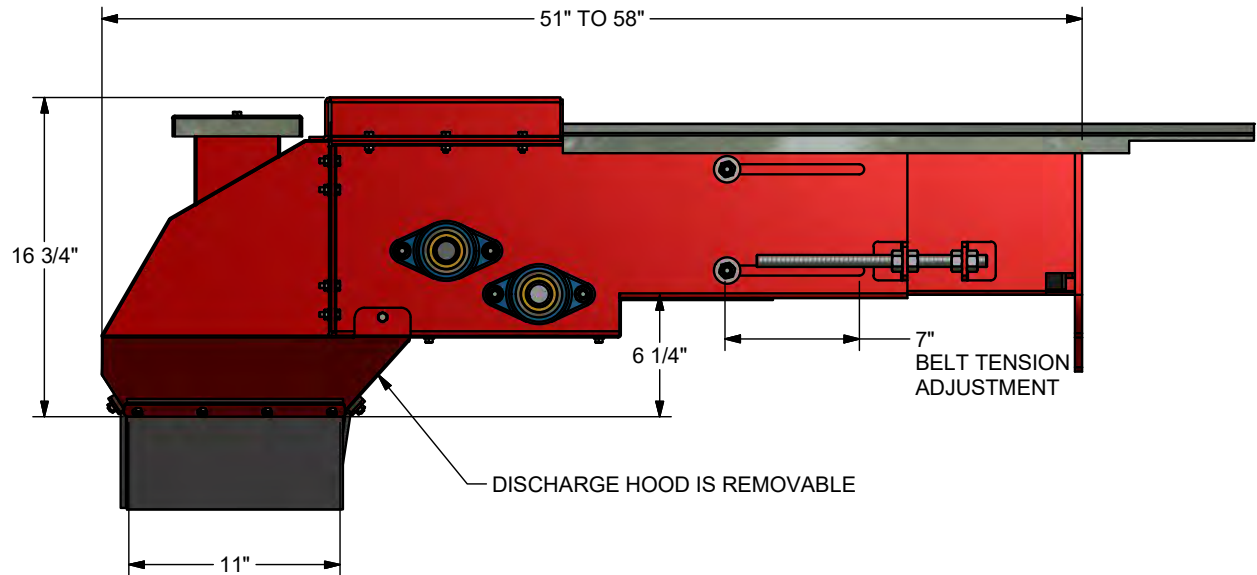
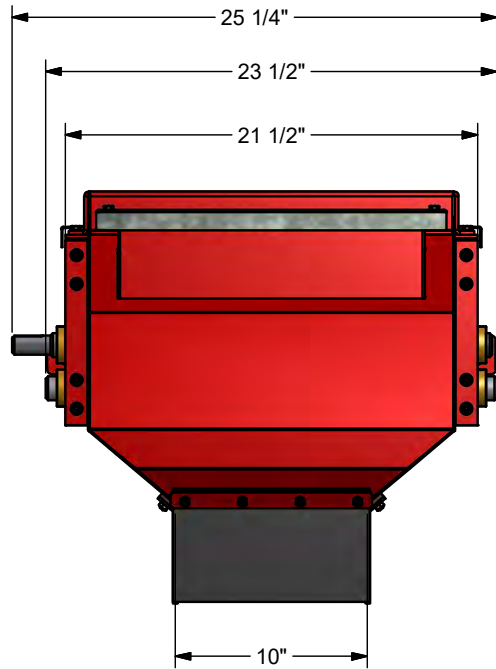
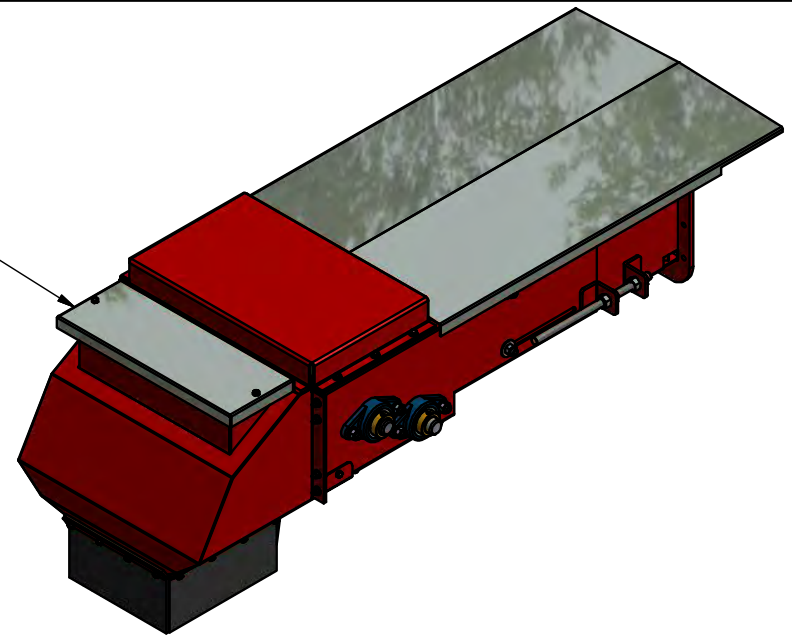


INSPECTION HOOD OR LOCATION TO MOUNT HOPPER DUMP



REVISION HISTORY

REV	DESCRIPTION	DATE	DESIGNER
A			SJP

Tolerances unless otherwise specified:

XX = ± 0.03	Symbol Tolerance t = ± 0.005 ⊙ = 0.015 ⊥ = 0.015
.X = ± 0.1	
.XX = ± 0.03	
.XXX = ± 0.01	
∠ = ± 0.5°	

Dimensions and tolerances shall be interpreted in accordance with ASME Y14.5-2009.



www.meridianmfg.com		SHEET SIZE:	
DRAWN BY:	DRAWN BY DATE:	A - SIZE	
SJP	1/21/2013		
CHECKED BY:	CHECKED BY DATE:	SCALE:	REV:
			A

THIS DRAWING IS THE EXCLUSIVE PROPERTY OF MERIDIAN MANUFACTURING GROUP AND MAY NOT BE DUPLICATED BY ANY MEANS WITHOUT THE SPECIFIC PERMISSION FROM AN AUTHORITY OF MERIDIAN MANUFACTURING GROUP

PROJECT NAME:	MATERIAL:
SEED SITE CONVEYORS	PART WEIGHT: 215.21 lbmass
PART DESCRIPTION:	PART/DRAWING NUMBER:
Under bin conveyor non-driving end RED	37528