

ITEM	QTY	PART #	DESCRIPTION
1	1	27357	DISCHARGE ACCESS COVER PLATE
2	1	37522	DISCHARGE ASSEMBLED MOTOR END RED
3	1	37521	DISCHARGE CHUTE ASSEMBLED RED
4	1	27416	COVER BOTTOM DISCHARGE
5	1	27421	COVER TOP MOTOR END GALVANIZED
6	2	27441	2 BOLT FLANGE BEARING ASSEMBLY
7	1	27422	COVER GALVANIZED SHAFT REDUCER
8	1	37526	MOTOR MOUNT ASSEMBLED RED
9	1	27444	Pulley 14in 2BK140
10	1	27844	SPEED REDUCER SHAFT
11	1	27425	PULLEY 2V 7in 2BK70H
12	16	19305	NUT, HEX 1/4-20 UNC
13	16	19099	BOLT, HEX, 1/4-20 UNC X 0.875 Steel, Mild
14	30	18485	Washer, 1/4 - narrow - Type A Steel, Mild
15	2	27466	4.25" DOUBLE BELT B BELT PULLEY
16	5	19343	NUT, HEX 3/8-16 UNC
17	2	18484	BOLT, HEX, 1/4-20 UNC X 0.625 Steel, Mild
18	4	18482	SCREW, HEX, SELF-TAP 10-24 UNC X 0.5
19	4	19369 MS	NUT, HEX 1/2-13 UNC Steel, Mild
20	1	37538	COVER SMALL V-BELT RED
21	1	37539	COVER LARGE V-BELT RED
22	4	18464	BOLT, HEX, 1/2-13 UNC X 1.5, Steel, Mild
23	2	27517	BUSHING SPLIT TAPER H114
24	2	18364	UNDERBIN DRIVE BELT, B53
25	2	18365	UNDERBIN DRIVE BELT, B40
26	1	17839	BUSHING SPLIT TAPER H1
27	1	17843	BUSHING SPLIT TAPER H138
28	6	19564	NUT, HEX, FLANGED, 3/8-16 UNC
29	6	19578	BOLT, HEX, FLANGED, 3/8-16 UNC X 1.5
30	1	27423	TRANSITION TOP COVER GALVANIZED
--	1	17771	DECAL SAFETY READ MANUAL
--	2	17770	DECAL SAFETY ENTANGLEMENT HAZARD

REVISION HISTORY			
REV	DESCRIPTION	DATE	DESIGNER
A	RELEASED	6/29/2012	BRENNA
B	ADDED PULLEY BUSHING PER ECO687	8/1/2012	JPB
C	ADDED DRIVE BELTS	9/5/2012	JMF
D	ADDED RUBBER FLAPS TO DISCHARGE	2/21/2013	SJP
E	REV BUMP BY ACCIDENT	4/8/2013	SJP
F	ADDED SAFETY DECALS	8/6/2013	SJP
G	ADDED 3/8" HARDWARE	09/06/2013	BP
H	ADDED TRANSION COVER PER ECO1044	10/7/13	BJS
I	REPLACED 17840 WITH 17843	1/13/2014	SJP
K	CHANGED 37522 PER ECO 1276	4-15-14	CJO

**MERIDIAN**  
MANUFACTURING GROUP

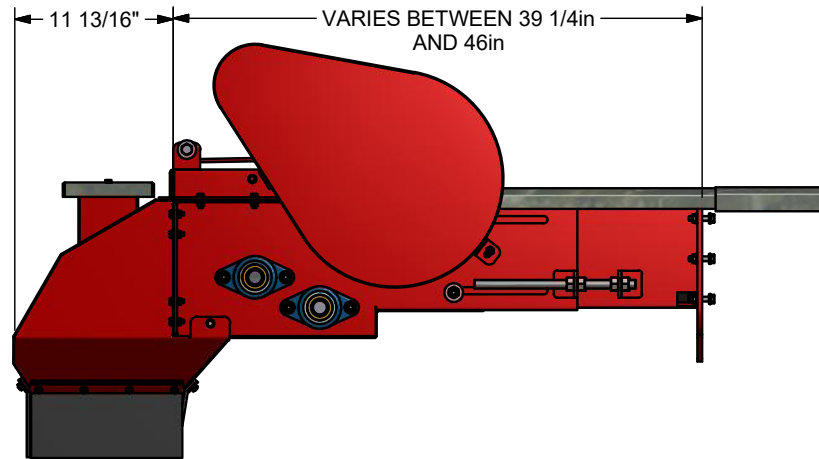
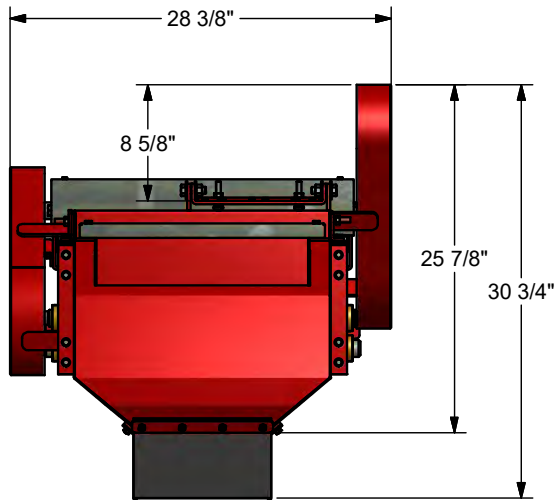
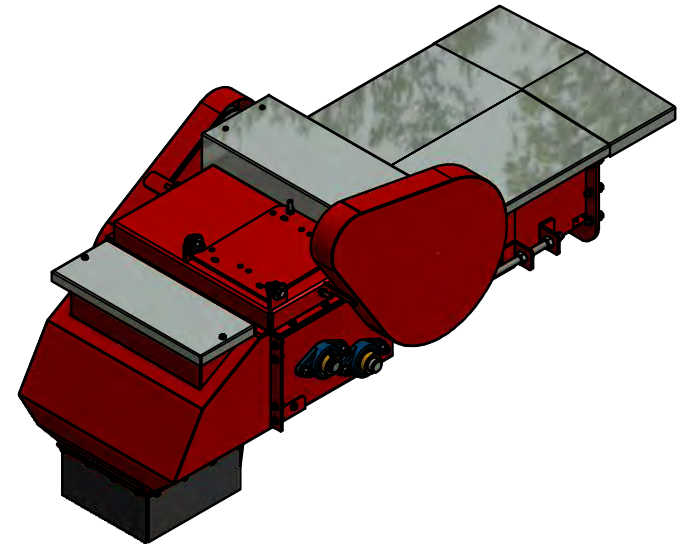
www.meridianmfg.com

DRAWN BY: <i>Juan</i>	DRAWN DATE: 4/26/2011	SHEET SIZE: A - SIZE
DETAILED BY: <i>BRENNA</i>	DETAILED DATE: 6/29/2012	SCALE: REV: K

TOLERANCES UNLESS OTHERWISE SPECIFIED  
 X = +/- .75mm MATERIAL GUIDE +/- .005mm  
 XX = +/- .25mm HOLE Ø X +/- .125mm  
 XXX = +/- .125mm HOLE Ø .XX +/- .0125mm  
 XXXX = +/- .0125mm ANGLES +/- .1°

THIS DRAWING IS THE EXCLUSIVE PROPERTY OF MERIDIAN MANUFACTURING GROUP AND MAY NOT BE DUPLICATED BY ANY MEANS WITHOUT THE SPECIFIC PERMISSION FROM AN AUTHORITY OF MERIDIAN MANUFACTURING GROUP

PROJECT NAME: SEED SITE CONVEYORS	MATERIAL: PART WEIGHT: N/A
PART DESCRIPTION: UNDER BIN COVEYOR MOTOR END RED	PART/DRAWING NUMBER: 37529



REVISION HISTORY			
REV	DESCRIPTION	DATE	DESIGNER
A	RELEASED	6/29/2012	BRENNA
B	ADDED PULLEY BUSHING PER ECO687	8/1/2012	JPB
D	ADDED RUBBER FLAPS TO DISCHARGE	2/21/2013	SJP
E	REV BUMP BY ACCIDENT	4/8/2013	SJP
C	ADDED DRIVE BELTS	9/5/2012	JMF
F	ADDED SAFETY DECALS	8/6/2013	SJP
G	ADDED 3/8" HARDWARE	09/06/2013	BP
H	ADDED TRANSION COVER PER ECO1044	10/7/13	BJS
I	REPLACED 17840 WITH 17843	1/13/2014	SJP
K	CHANGED 37522 PER ECO 1276	4-15-14	CJO

TOLERANCES UNLESS OTHERWISE SPECIFIED	
.X = +/- .75mm	MATERIAL GUIDE +/- .005mm
.XX = +/- .25mm	HOLE Ø .X +/- .125mm
.XXX = +/- .125mm	HOLE Ø .XX +/- .0125mm
.XXXX = +/- .0125mm	ANGLES +/- .1°



www.meridianmfg.com		SHEET SIZE:	
DRAWN BY:	DRAWN DATE:	A - SIZE	
Juan	4/26/2011		
DETAILED BY:	DETAILED DATE:	SCALE:	REV:
BRENNA	6/29/2012		K

THIS DRAWING IS THE EXCLUSIVE PROPERTY OF MERIDIAN MANUFACTURING GROUP AND MAY NOT BE DUPLICATED BY ANY MEANS WITHOUT THE SPECIFIC PERMISSION FROM AN AUTHORITY OF MERIDIAN MANUFACTURING GROUP			
PROJECT NAME:		MATERIAL:	
SEED SITE CONVEYORS		PART WEIGHT: N/A	
PART DESCRIPTION:			PART/DRAWING NUMBER:
UNDER BIN COVEYOR MOTOR END RED			37529