

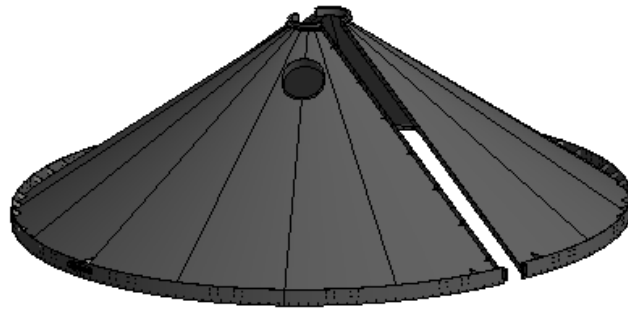


August 17, 2017

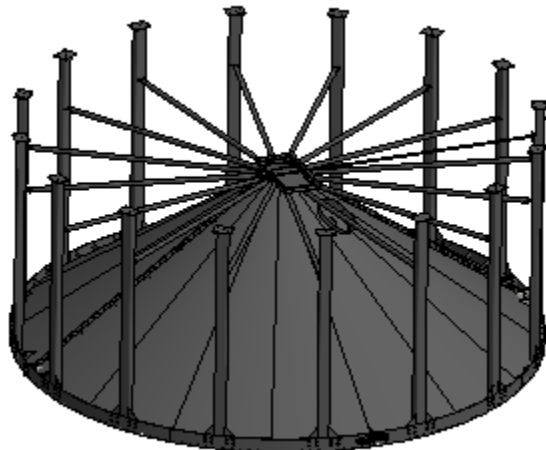
## HOPPER COMBO – SPLIT CONE SETUP

24' & 27' Meridian Combo Hoppers are assembled in two pieces. The instructions for the setup are as follows:

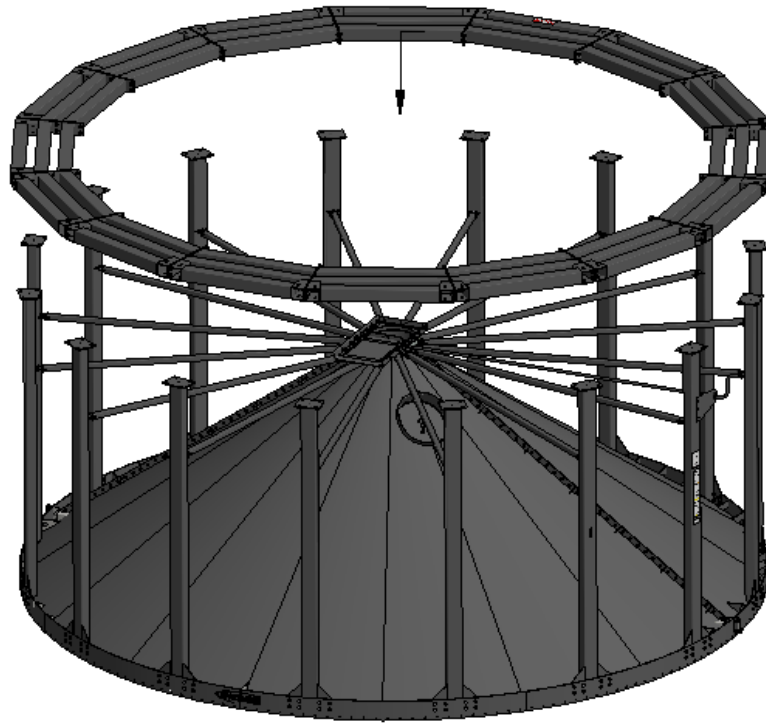
1. Place hopper pieces on the ground in the upside-down position and connect the two together with bolts. Ensure the gasket material is in place. (For the 27ft hopper, install the additional hopper bottom cone as well.)



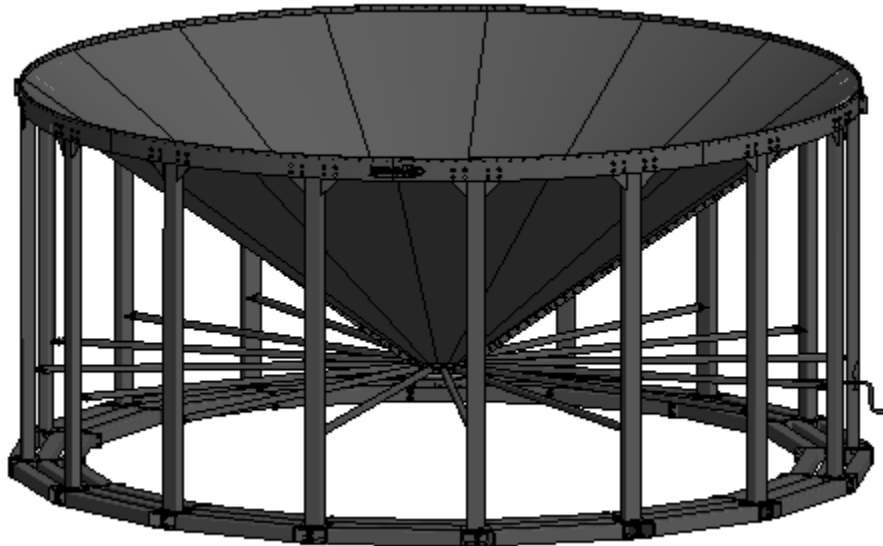
2. Keep the hopper upside-down and install the legs.



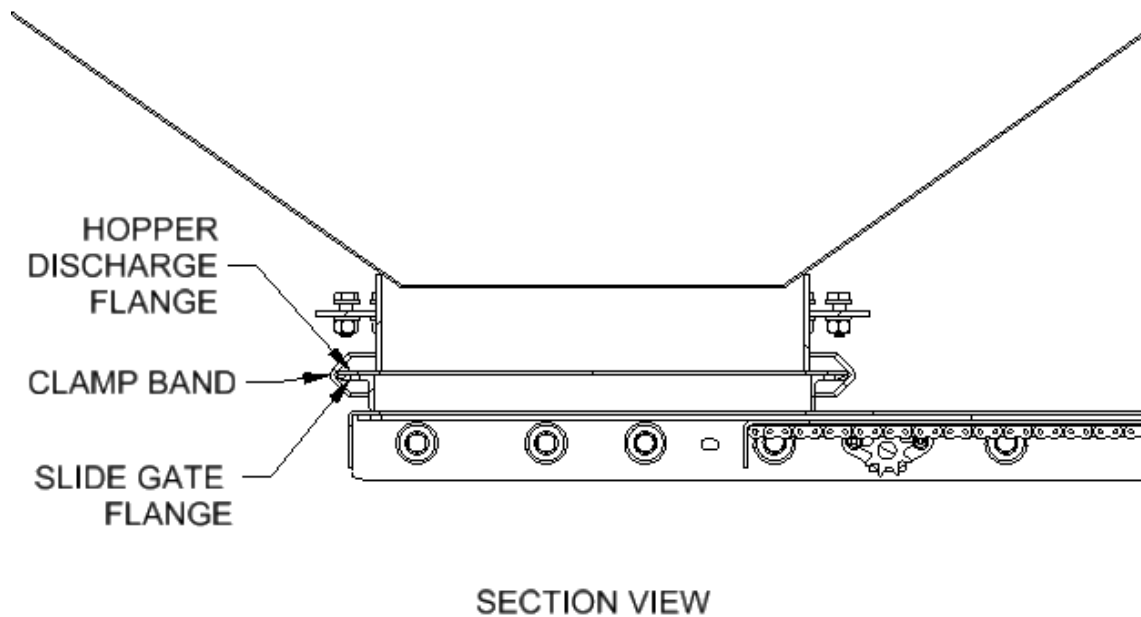
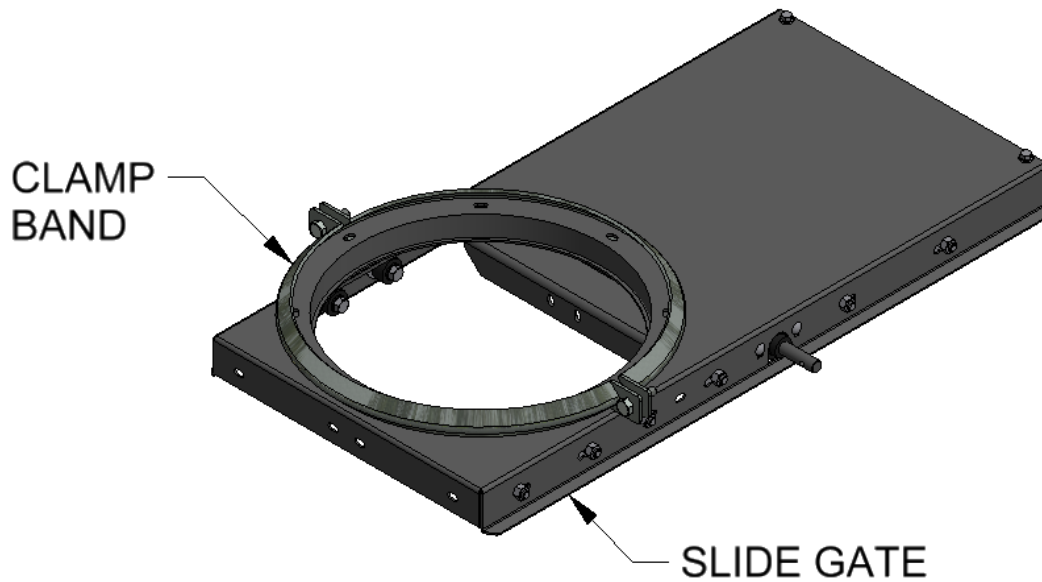
3. Assemble the skid on the ground. Install the assembled skid onto the assembled hopper with legs.



4. Once the skid is assembled, flip the completed hopper assembly into upright position. Install the crank and any other remaining items.



5. Install the slide gate. To install the slide gate, loosen the bolts on the clamp band. Once the clamp band is loose, butt the slide gate flange up to the discharge flange of the hopper. Place the clamp band around the flanges and tighten the clamp band. You can adjust the slide gate orientation by loosening the clamp band and readjusting the position of the gate.



QUESTIONS? CALL 1-800-661-1436