

FORGET WHAT YOU KNOW ABOUT 13 INCH AUGERS



BRING ON HARVEST. This is more than just a new auger. This is the perfect combination of proven innovation, capacity, and affordability. When you think about 13" augers, you don't expect to empty 7 loaded super-b's an hour. Forget what you know about 13" augers and contact us to learn more today.

MERIDIAN[®]

www.meridianmfg.com | (800) 667-5904 | augers@meridianmfg.com

RETHINK 13 INCH AUGERS

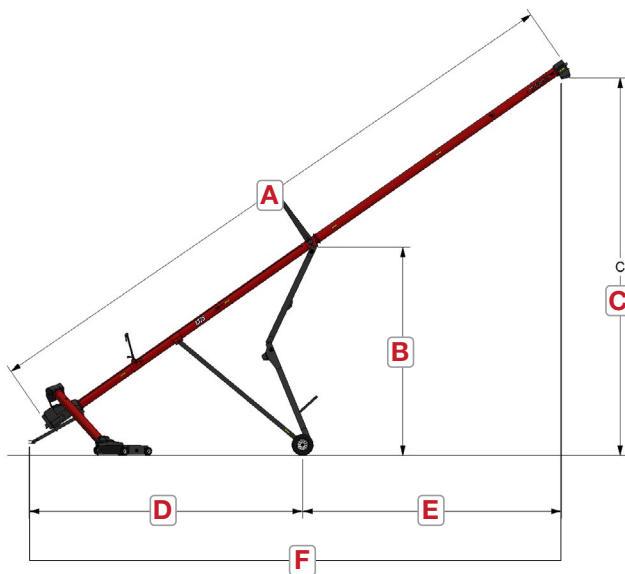
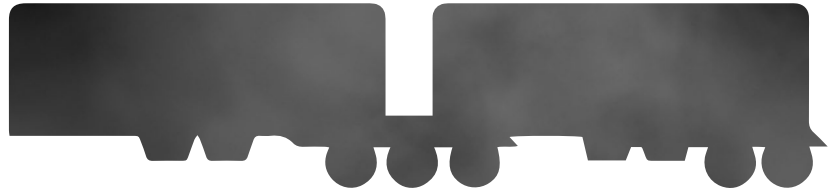
UP TO 13,000 BUSHEL PER HOUR

EMPTY A FULL SUPER-B IN

8.5 MINUTES

FILL UP TO THREE 1620 BINS IN

60 MINUTES



		1375	1385
A	TUBE LENGTH	75' 22.8m	85' 25.9m
	RAISED	24' 7" 7.5m	24' 7" 7.5m
B	LOWERED	6' 6" 2m	6' 6" 2m
	RAISED	44' 4" 13.5m	49' 7" 15.1m
C	LOWERED	10' 1" 3.1m	11' 6" 3.5m
	RAISED	32' 3" 9.8m	32' 3" 9.8m
D	LOWERED	40' 12.2m	40' 12.2m
	RAISED	30' 6" 9.3m	39' 5" 12m
E	LOWERED	36' 11m	45' 11" 14m
	RAISED	62' 9" 19.1m	71' 8" 21.8m
F	LOWERED	76' 23.2m	85' 11" 26.2m

MERIDIAN 1375 & 1385 SWING AUGER

AUGER TUBE	12.75" OD x 12 Gauge
AUGER FLIGHT	11 3/4" OD x 5/16" c/w Continuous Super Edge
TUBE CONNECTORS	HD 2" x 2" x 1/4" Angle Flange
UNDERCARRIAGE	A-Frame 8" x 3" x 3/16", Main Frame 6" x 4" x 3/16"
SPROCKET & CHAIN	Hardened Tooth Sprockets & #60 Chain
DRIVE	540 or 1000 rpm Tractor PTO
SWING AUGER	12.75" Diameter Mechanical Drive c/w Intake Boot
WHEELS	Tire ST235/80R16 c/w 6 Bolt on 5.5" BC
POWER REQUIRED	100-125 HP Tractor
CAPACITY	Up to 13,000 Bushels/Hour up to 5.4 Metric Tonne/Minute
HOPPER DIMENSIONS	62"x 41.5" x 13" 157.5cm x 105.4cm x 33cm
TRANSPORT HEIGHT	13'-1" 4m 14' 9" 4.5m
TRANSPORT LENGTH	77' 1" 23.5m 87' 2" 26.6m
TRANSPORT WIDTH	12'-4" 3.8m
AXLE EXTENSION WIDTH	15'-4" 4.7m
HITCH WEIGHT	1780lbs 807kg 1480lbs 671kg

OPTIONS

- Hydraulic winch
- LED light package
- Kramble 12V remote controlled swing hopper mover
- 13" Poly Flex spout
- Transport safety lights