

MERIDIAN[®]

PARTS BOOK



BOX SEED TENDER

SEED TITAN™ 2SE • SEED TITAN™ 4SE

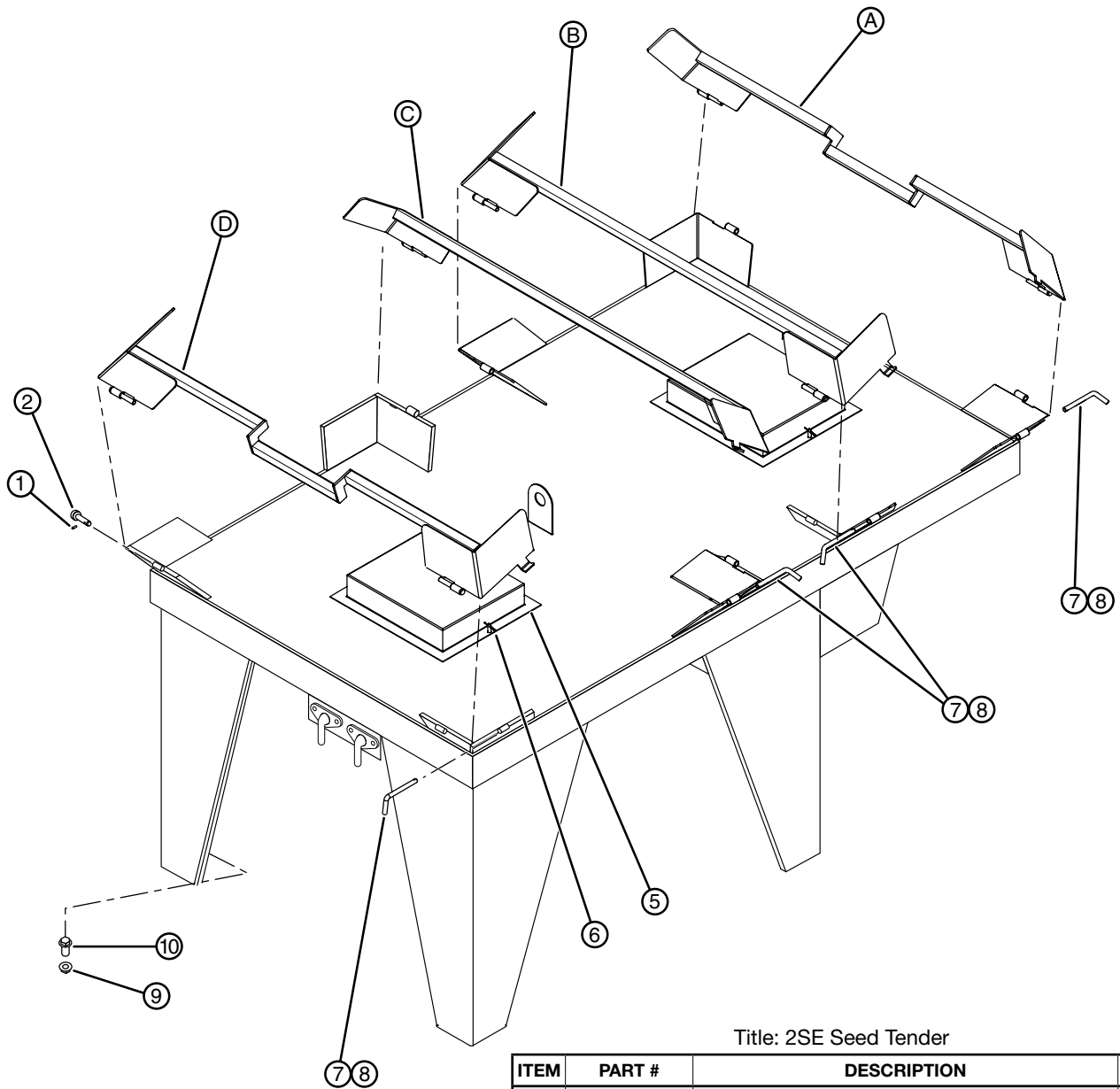
This page intentionally left blank

TABLE OF CONTENTS

DESCRIPTION	PAGE
2SE Seed Tender	1
2SE Seed Tender Frame	2
2SE Lower Conveyor Belt Drive Components	4
2SE Lower Intake Shoot	6
2SE Lower Intake Drive Wheel	7
2SE Engine and Actuator	8
2SE Delivery Spout	9
2SE Trailer	11
4SE Seed Tender	13
4SE Seed Tender Frame	14
4SE Seed Tender Carriage	15
4SE Engine and Actuator	16
4SE Lower Turret Detail	18
4SE Lower Intake Drive Wheel	19
4SE Lower Conveyor Belt Drive Components	20
4SE Tube Assembly	22
4SE Discharge Hood	23
4SE Bumper Hitch Trailer	24
Warranty Statement	

This page intentionally left blank

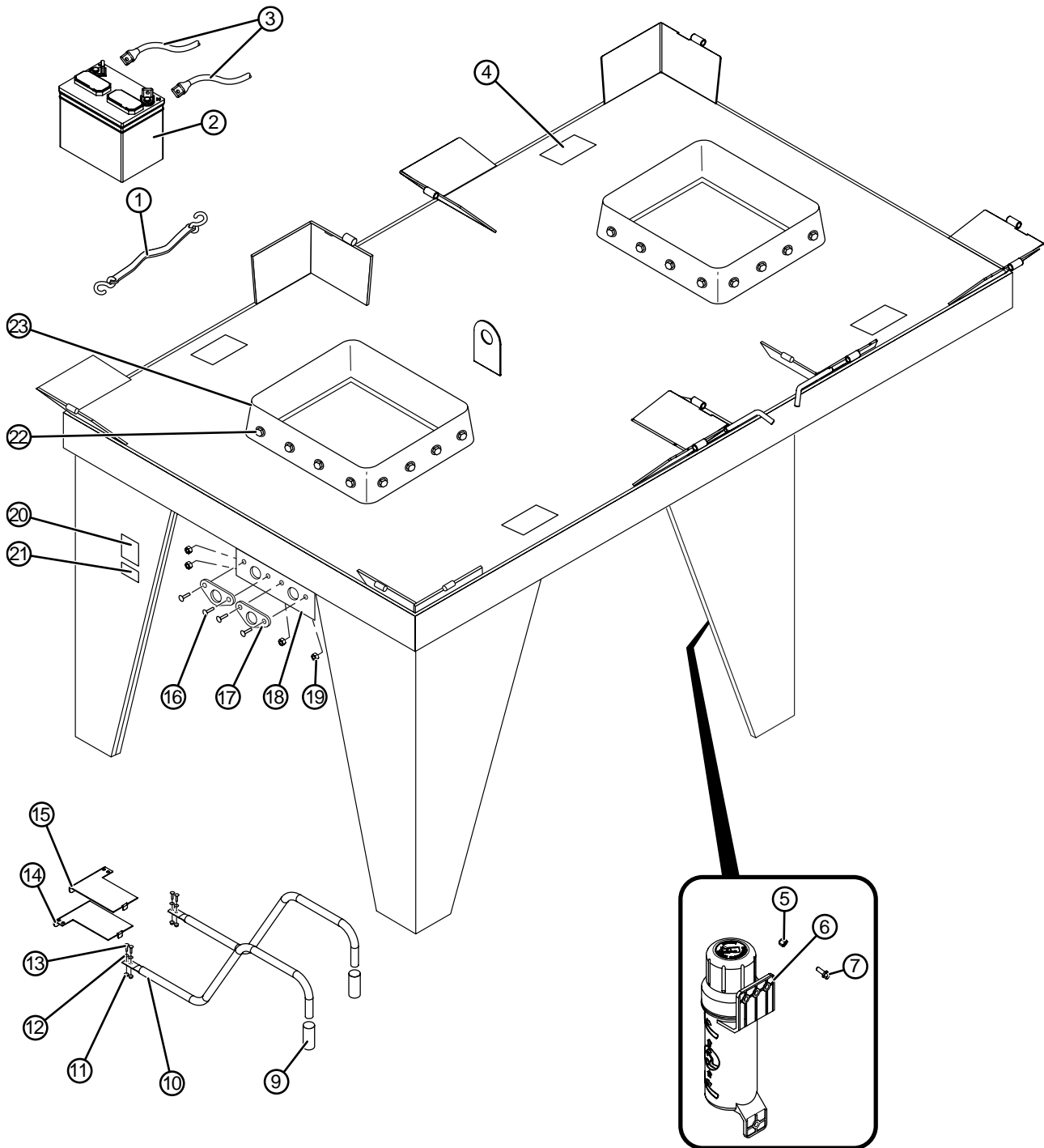
2SE SEED TENDER



Title: 2SE Seed Tender

ITEM	PART #	DESCRIPTION	QTY
A	35163	BOX LOCK DOWN RR	1
B	35161	BOX LOCK DOWN RF	1
C	35160	BOX LOCK DOWN FR	1
D	35159	BOX LOCK DOWN FF	1
1	19237	PIN, SPRING, 5/32 X 3/4"	8
2	22135-00	PIN, HEADED, 1/2 X 3-1/2"	8
5	14020	LID, PLASTIC	2
6	19594	PIN, HAIRPIN COTTER	4
7	22126-00	PIN, BENT, 1/2 X 4"	4
8	19236	PIN, SPRING, ZINC, 5/32 X 1"	4
9	19595	NUT, 1/2-13	4
10	14575	BOLT, 1/2-13 X 1-1/2"	4

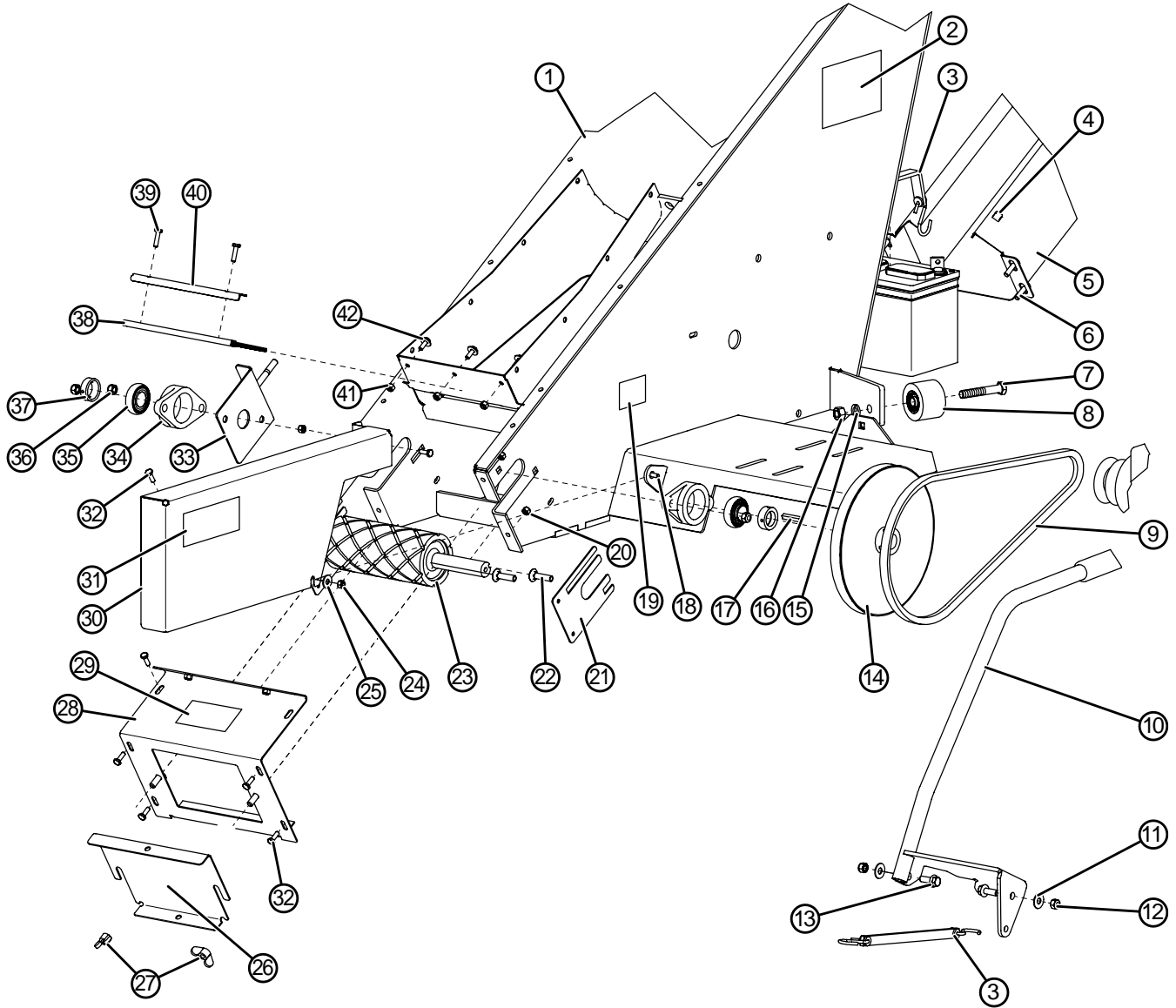
2SE SEED TENDER FRAME



Title: 2SE Seed Tender Frame

ITEM	PART #	DESCRIPTION	QTY
1	21319-00	STRAP, RUBBER	2
2	21286-00	BATTERY, SP30	1
3	18661	CABLE, BATTERY	1
4	19956	DECAL, WARNING, PINCH POINT HAZARD	4
5	19128	NUT, LOCK, 1/4-20	3
6	18128	HOLDER, MANUAL	1
7	19560	BOLT, HEX, 1/4-20 X 3/4"	3
9	19447	GRIP, HANDLE	2
10	26038-00	HANDLE, SLIDE GATE	2
11	19128	NUT, LOCK, 1/4-20 NYLON	2
12	19307	WASHER, 1/4"	2
13	19560	BOLT, HEX, 1/4-20 X 3/4"	2
14	26033-00	GATE, SLIDE, BOTTOM	1
15	26032-01	GATE, SLIDE, TOP	1
16	19568	BOLT, HEX, FLANGED, 5/16-18 X 3/4"	4
17	19404	BUSHING, NYLON 1"	2
18	19931	DECAL, PUSH TO OPEN	1
19	19318	NUT, HEX, FLANGED, 5/16-18	4
20	18432	DECAL, NOTICE, PRODUCT WARRANTY	1
21	19984	DECAL, PRODUCT SERIAL NUMBER	1
22	19597	SCREW, SELF DRILL, 1/4-14 X 3/4"	32
23	22147-00	SEAL, BOX TOP DECK, TITANS	2

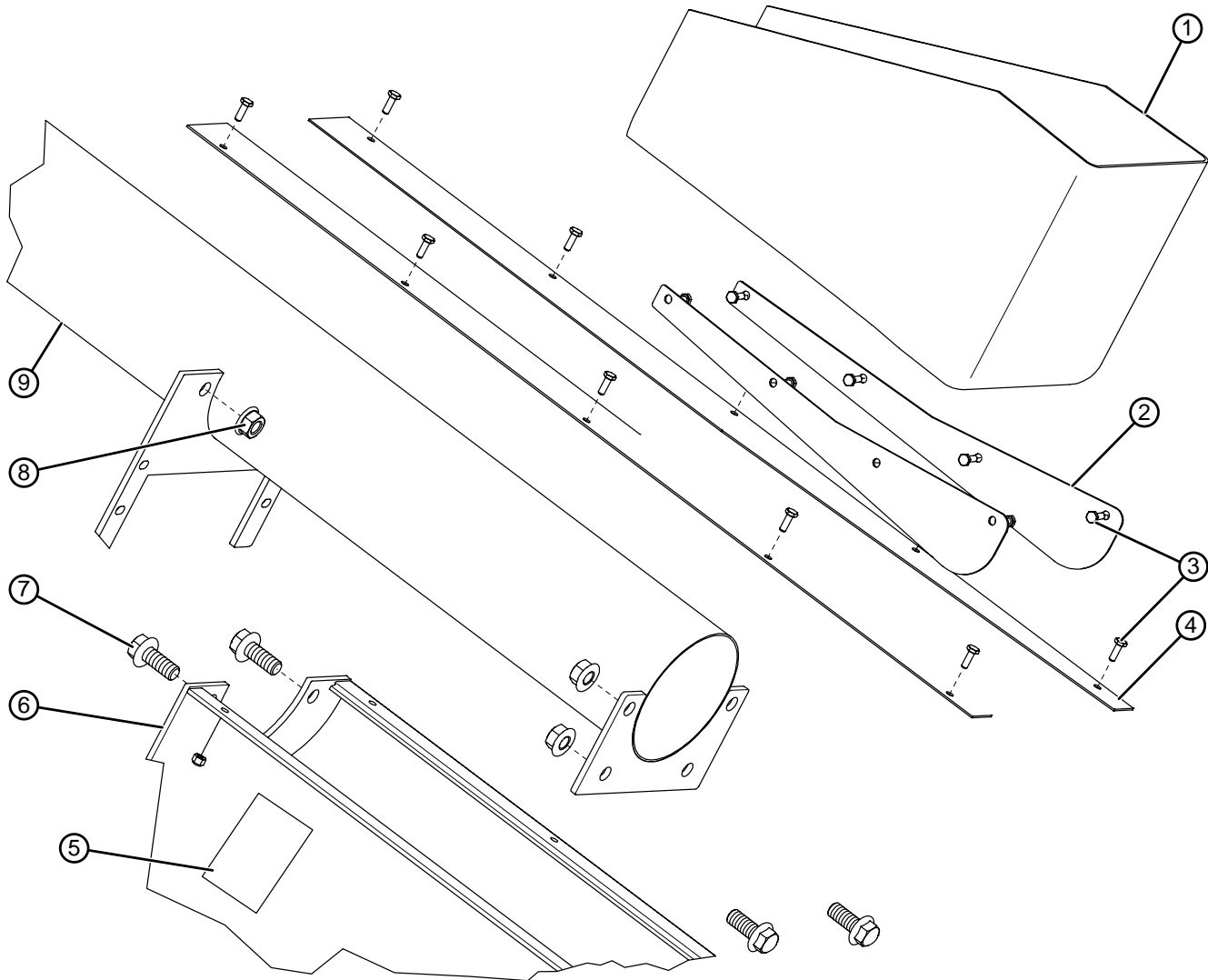
2SE LOWER CONVEYOR BELT DRIVE COMPONENTS



Title: 2SE Lower Conveyor Belt Drive Components

ITEM	PART #	DESCRIPTION	QTY
1	36111-02	WELDMENT, CONVEYOR	1
2	19934	DECAL, CAUTION, READ AND UNDERSTAND	1
3	21319-00	STRAP, RUBBER, BUNGEE, 6"	2
4	27055	MOUNT, WIRE HARNESS	7
5	36204-00	WELDMENT, BELT SHIELD	1
6	19581	BOLT, HEX, FLANGED, 5/16-18 X 1"	4
7	19574	BOLT, HEX, 1/2-13 X 3"	2
8	16340	ASSEMBLY, ROLLER	2
9	27054-01	BELT, DRIVE, B46	1
10	36114-00	ASSEMBLY, ROTATE LATCH	1
11	19348	WASHER, PLAIN, FLAT, 3/8"	2
12	19540	NUT, LOCK, NYLON, 3/8-16	2
13	19569	BOLT, HEX, FLANGED, 3/8-16 X 1"	2
14	21322-00	PULLEY, 10" (B GROOVE)	1
15	19373	WASHER, LOCK, 1/2"	2
16	19369	NUT, HEX, 1/2-20	2
17	21261-00	KEY, DRIVE	1
18	19309	BOLT, HEX, 5/16-18 X 3/4	1
19	18435	DECAL, DANGER, MISSING SHIELD	1
20	19586	NUT, HEX, NYLON, 1/4-20	2
21	27046-00	PLATE, SEAL, BOTTOM ROLLER	2
22	19335	BOLT, CARRIAGE, 3/8-16 X 1-1/2"	4
23	36200-01	ASSEMBLY, DRIVE ROLLER	1
24	19586	NUT, LOCK, NYLON, 5/16-18	1
25	19321	WASHER, PLAIN, 5/16"	1
26	27023-01	DOOR, CLEANOUT	1
27	19346	NUT, WING, 3/8-16	2
28	36206-00	WELDMENT, BELT SHIELD/BRUSH HOLDER	1
29	19936	DECAL, WARNING, ROTATING PARTS	1
30	36212-00	WELDMENT, GUARD, DRIVE BELT	1
31	19937	DECAL, WARNING, MISSING SHIELD	1
32	19560	BOLT, HEX, 1/4-20 X 3/4"	1
33	27036-00	PLATE, ADJUSTMENT, BOTTOM BEARING	1
34	27040-00	HOUSING, ROLLER BEARING	2
35	21258-00	BEARING	2
36	19540	NUT, LOCK, NYLON, 3/8-16	11
37	21258-00C	COLLAR, BEARING	4
38	27051-00	BRUSH	1
39	19301	BOLT, HEX, 1/4-20 X 1"	2
40	27009	CLAMP, BRUSH HOLDER	1
41	19126	NUT, HEX, FLANGE, 1/4-20	3
42	19560	BOLT, HEX, FLANGE 1/4-20 X 3/4"	3

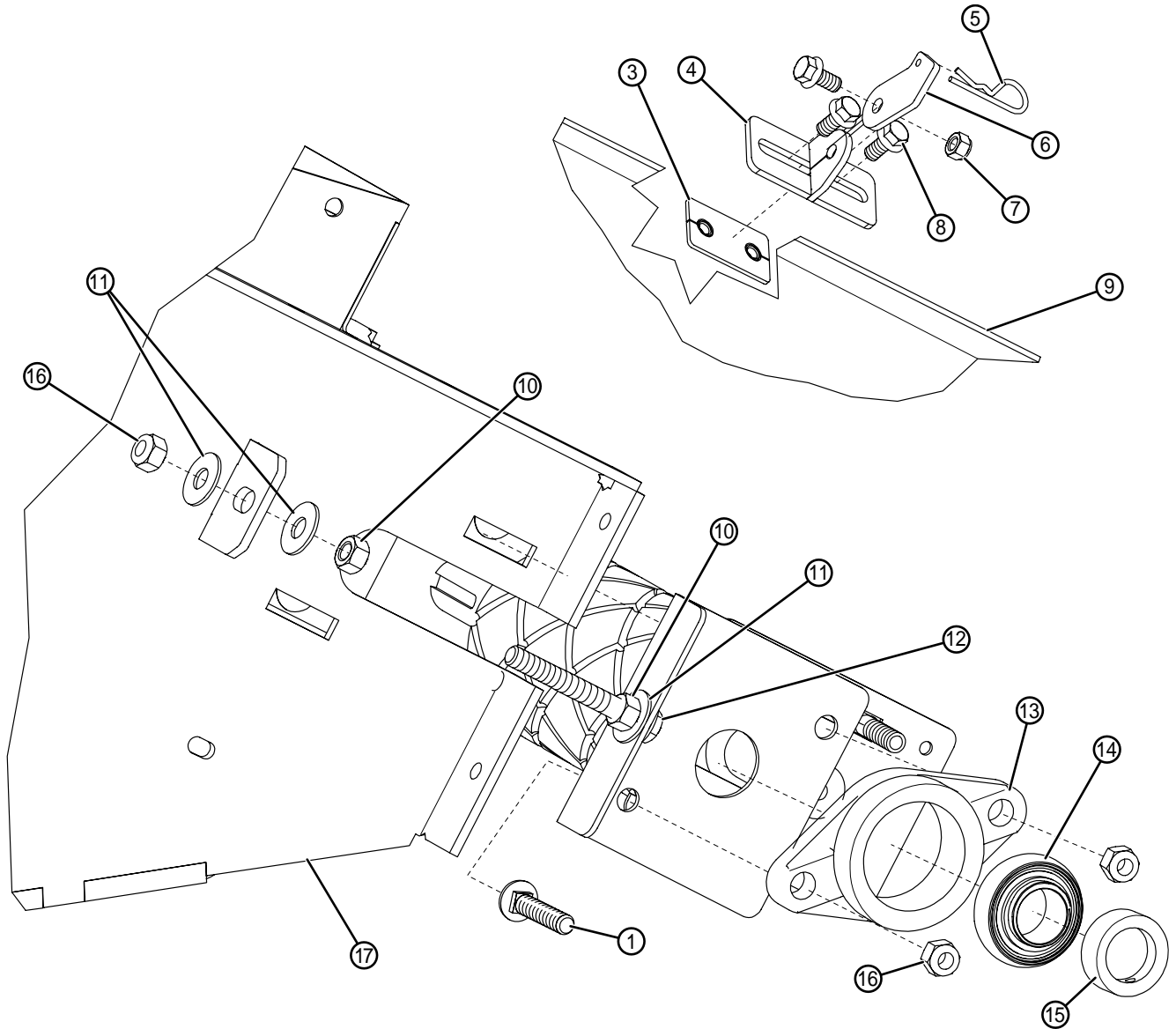
2SE LOWER INTAKE SHOOT



Title: 2SE Lower Intake Shoot

ITEM	PART #	DESCRIPTIONS	QTY
1	27010-00	BOOT SKIRT, CONVEYOR	1
2	27005-00	PLATE, SKIRT HOLD DOWN	2
3	19560	BOLT, HEX, 1/4-20 X 3/4"	18
4	27032-00	SHIELD, CONVEYOR SUPPORT	2
5	19934	DECAL, CAUTION, READ AND UNDERSTAND	1
6	36111-02	WELDMENT, CONVEYOR	1
7	19538	BOLT, HEX, FLANGED, 5/8-11 X 1-1/2"	6
8	19566	NUT, FLANGED, 5/8-11	6
9	36007	ASSEMBLY, TUBE, CONVEYOR	1

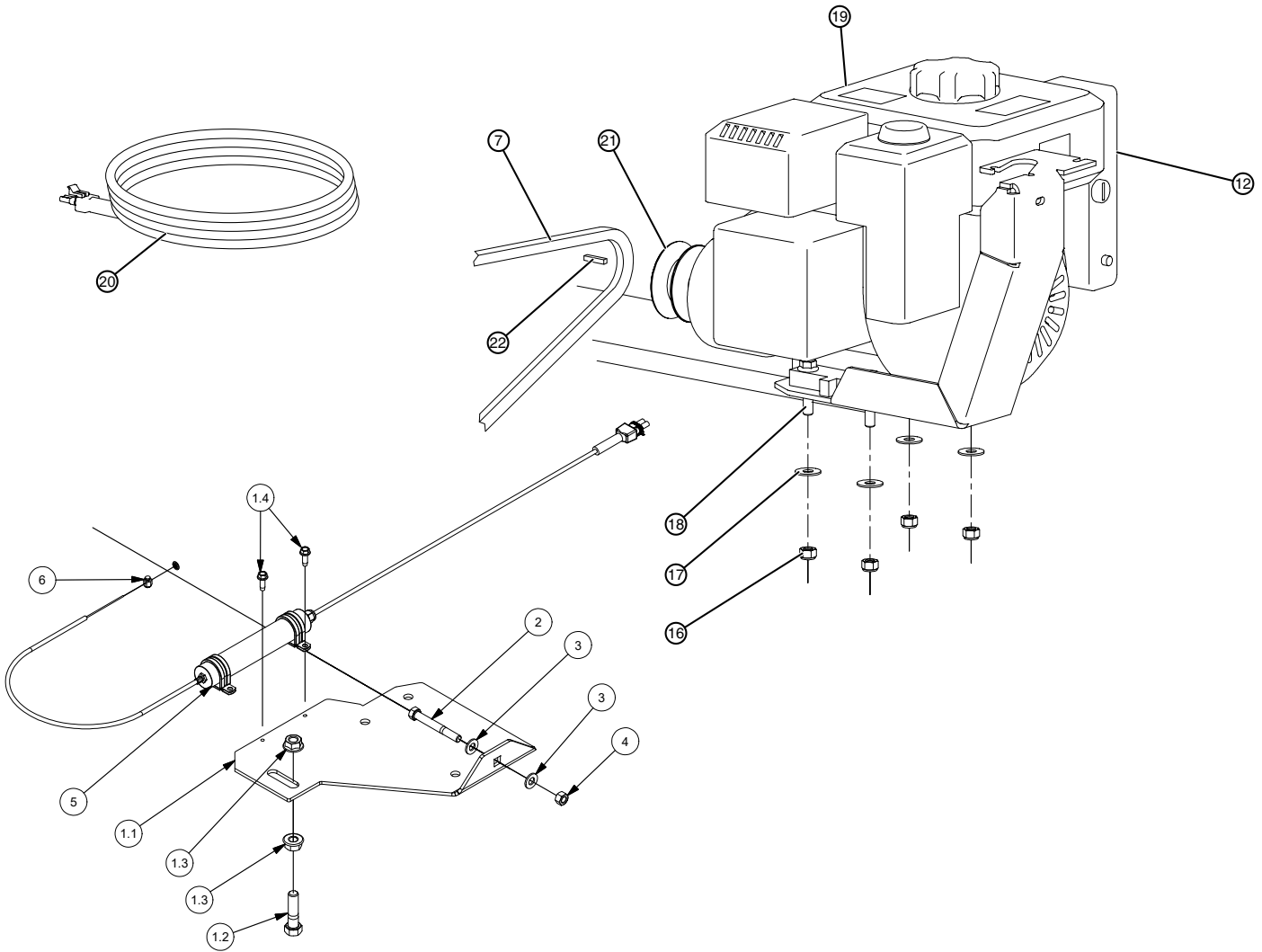
2SE LOWER INTAKE DRIVE WHEEL



Title: 2SE Lower Intake Drive Wheel

ITEM	PART #	DESCRIPTION	QTY
1	19335	BOLT, CARRIAGE, 3/8-16 X 1-1/2"	4
2	36111-02	WELDMENT, CONVEYOR	1
3	36216-00	WELDMENT, PLATE, LATCH RETAIN	1
4	36215-00	WELDMENT, TRANSPORT LATCH RETAIN	1
5	19594	PIN, COTTER, HAIRPIN	1
6	26068-12	ARM, TRANSPORT LATCH	1
7	19347	NUT, LOCK, NYLON, 3/8-16	1
8	19577	BOLT, HEX, FLANGED, 3/8-16 X 3/4"	3
9	36204-00	WELDMENT, BELT SHIELD	1
10	19564	NUT, HEX, 3/8-16	2
11	19348	WASHER, PLAIN, FLAT, 3/8"	10
12	19330	BOLT, FULL THREAD, 3/8-16 X 3"	1
13	27040-00	HOUSING, ROLLER BEARING	2
14	21258-00	BEARING	2
15	21258-00C	COLLAR, BEARING	2
16	19540	NUT, LOCK, NYLON, 3/8-16	4
17	?	?	

2SE ENGINE AND ACTUATOR



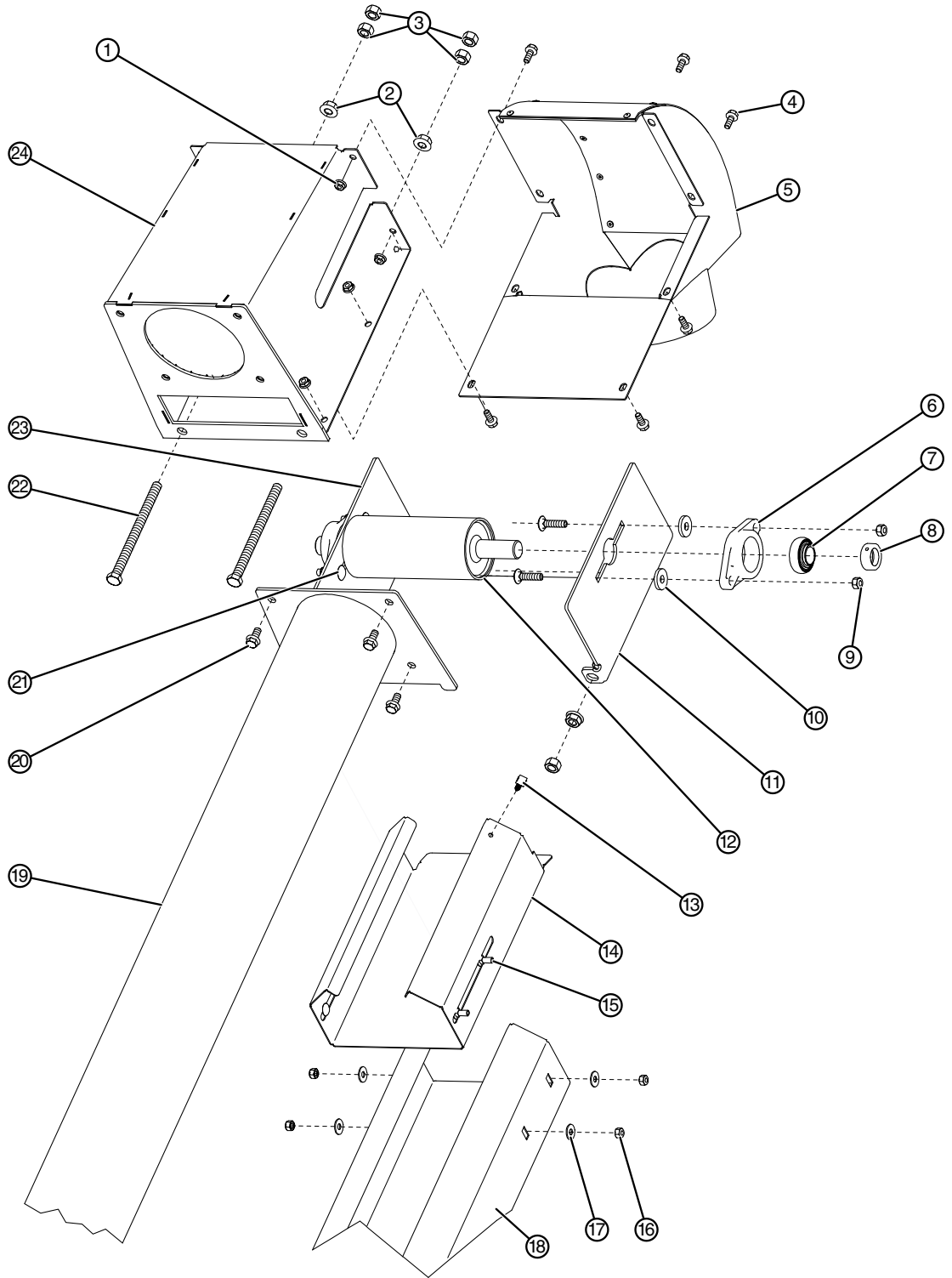
Title: Throttle Cable Actuator

ITEM	PART #	DESCRIPTION	QTY
1	38511-00	ACTUATOR BRACKET ASSEMBLY	1
1.1	21424-00	ROWE ACTUATOR BRACKET	1
1.2	19356	BOLT, HEX, 1/2-13 UNC X2	1
1.3	19595	NUT, HEX, FLANGED, 1/2-13 UNC	2
1.4	19597	Ø1/4"-14 X 3/4" HEX WASHER HEAD SELF DRILLING SCREW	2
2	19330	BOLT, HEX, 3/8-16 UNC X 3 STEEL, MILD	1
3	19348	WASHER, FLAT 3/8	2
4	19343	NUT, HEX 3/8-16 UNC	1
5	17721	ACTUATOR W/ CABLE & CLAMPS - RMC2500	1
6	21270-00	THROTTLE CABLE WIRE HOLDER	1

Title: 2SE Engine

ITEM	PART #	DESCRIPTION	QTY
7	27054-01	BELT, DRIVE B46	1
12	21255	MOTOR, HONDA 5.5 HP ELECTRIC START	1
13	19343	NUT, HEX, 3/8-16	2
14	21424-00	BRACKET, ACTUATOR ASSEMBLY	1
15	19330	BOLT, HEX, 3/8-16 X 3"	1
16	19347	NUT, LOCK, NYLON, 3/8-16	4
17	19348	WASHER, FLAT, 3/8	4
18	19626	BOLT, HEX, FLANGED, 3/8-16 X 1-3/4"	4
19	19991	DECAL, RECHARGE BATTERY	1
20	36106-00	HARNESS, LOWER ACTUATOR	1
21	21251-00	PULLEY, 3"	1
22	21261-00	KEY, 1/4" X 2"	1

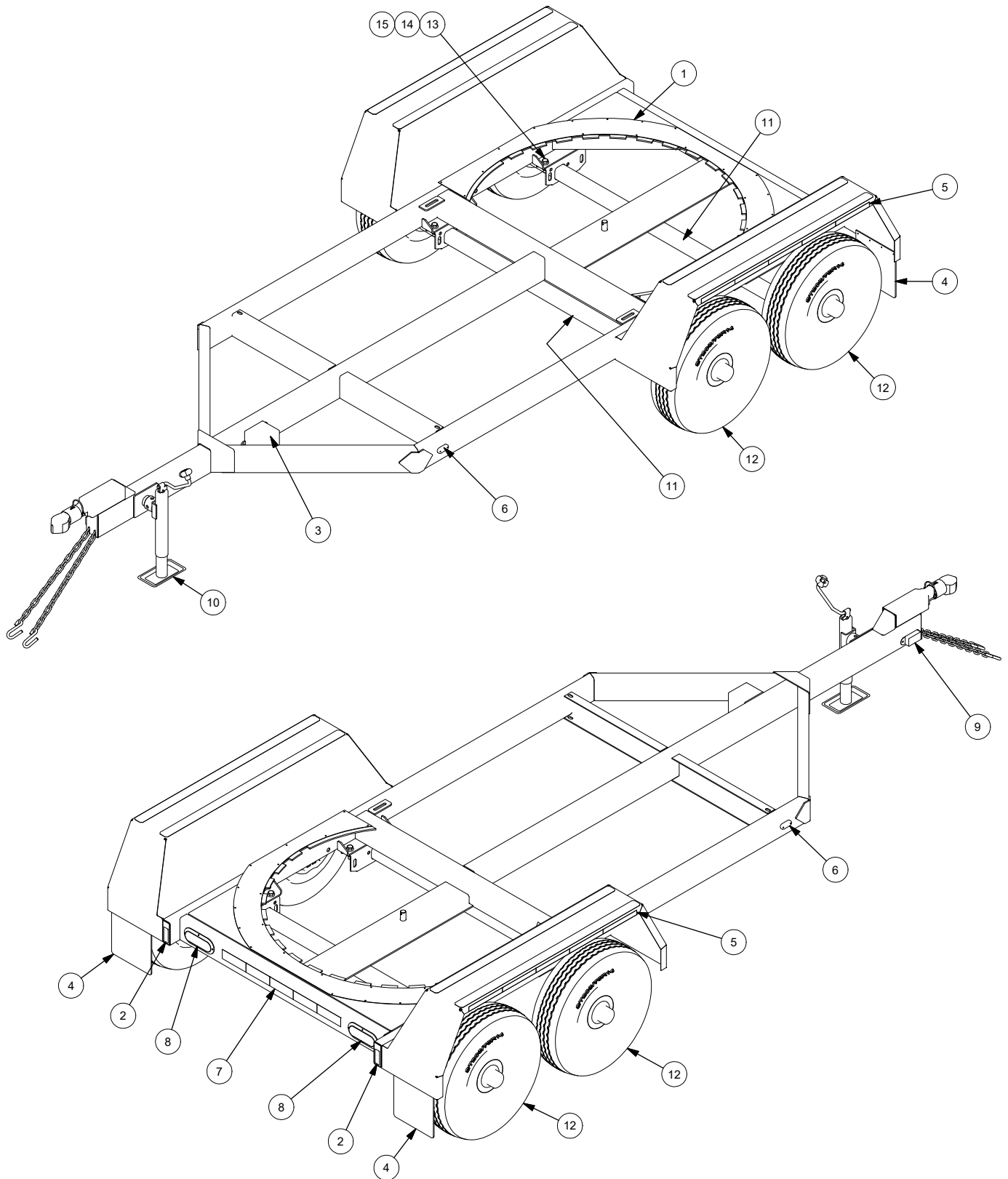
2SE DELIVERY SPOUT



Title: 2SE Delivery Spout

ITEM	PART #	DESCRIPTION	QTY
11	19318	NUT, HEX, FLANGED, 5/16-18	8
2	19595	NUT, HEX, FLANGED, 1/2-13	2
3	19369	NUT, HEX, 1/2-13	4
4	19568	BOLT, HEX, FLANGED, 5/16-18 X 3/4"	8
5	36211-00	WELDMENT, DISCHARGE TRANSITION	1
6	27040-00	HOUSING, ROLLER BEARING	2
7	21258-00	BEARING	2
8	21258-00C	COLLAR, BEARING	2
9	19540	NUT, LOCK, NYLON, 3/8-16	4
10	27019-00	WASHER, SPACER, BELT TIGHTNER	4
11	27017-00	WELDMENT, BELT TIGHTNER PLATE	1
12	36201-01	ASSEMBLY, SMOOTH-TAKE-UP ROLLER	1
13	27055	MOUNT, WIRE HARNESS	7
14	27035	GUARD, TOP BELT	1
15	19315	BOLT, CARRIAGE, 5/16-18 X 3/4"	4
16	19586	NUT, LOCK, NYLON, 5/16-18	4
17	19321	WASHER, PLAIN, 5/16"	4
18	36204-00	WELDMENT, BELT SHIELD	1
19	36203-03	ASSEMBLY, CONVEYOR TUBE	1
20	19577	BOLT, HEX, FLANGED 3/8-16 X 3/4"	4
21	19335	BOLT, CARRIAGE, 3/8-16 X 1-1/2"	4
22	19573	BOLT, HEX (FULL THD), 1/2-13 X 7"	2
23	27017-01	WELDMENT, BELT TIGHTNER PLATE	1
24	36209-00	WELDMENT, DISCHARGE HOOD	1

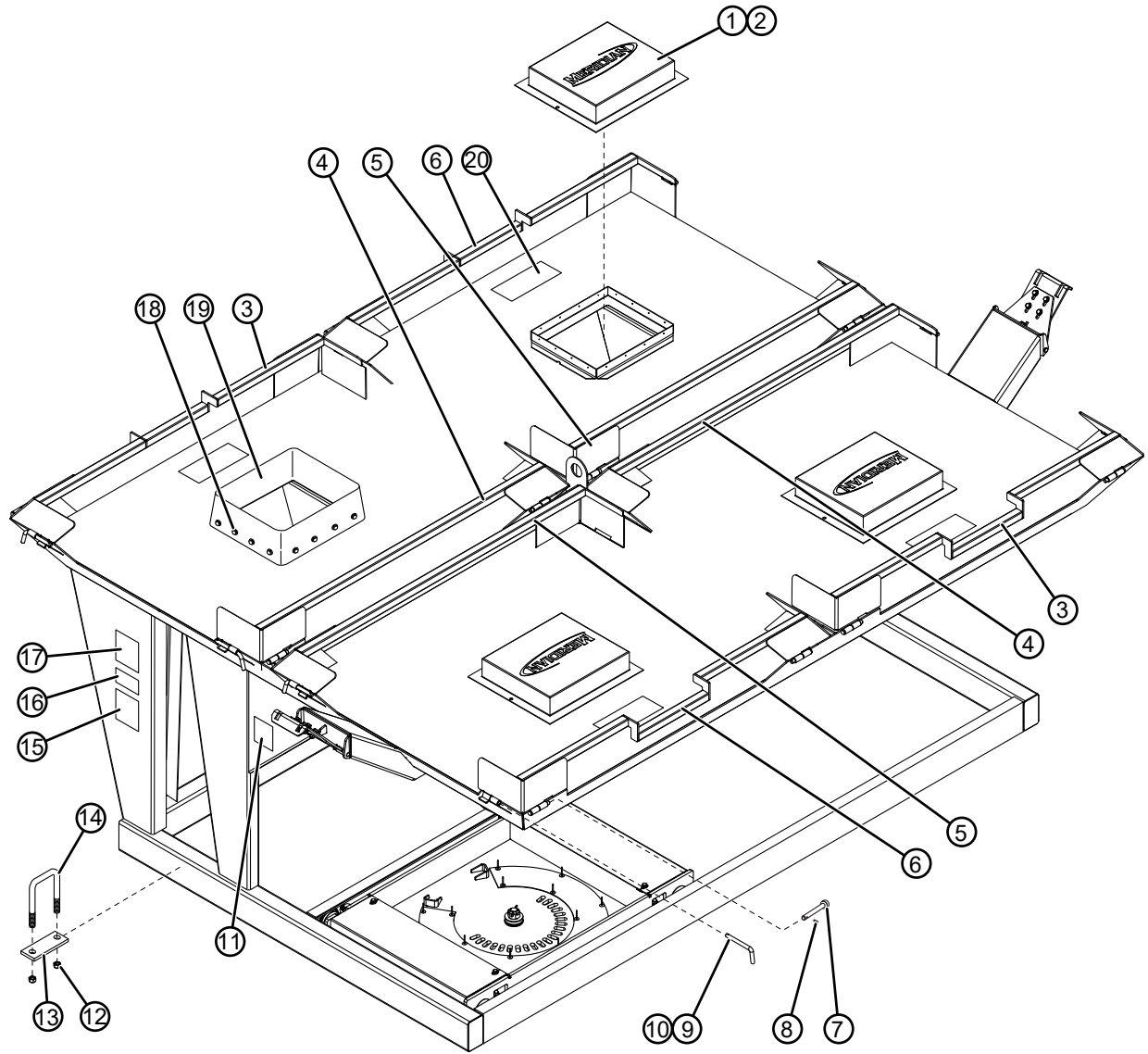
2SE TRAILER



Title: 2 SE Trailer

ITEM	PART #	DESCRIPTION	QTY
1	24993	ROLLER PLATE SS T7SE	1
2	19438	PLUG	2
3	19275	BATTERY BREAKAWAY	1
4	19274	MUD FLAP	2
5	18153	FENDER REFLECTIVE TAPE	2
6	18151	CLEARANCE LIGHT	2
7	18119	REAR REFLECTIVE TAPE	1
8	18117	TAIL LIGHT	2
9	PART OF 19275	BREAK AWAY ENGAGER	1
10	18164	5K, 10" STROKE, TOP WIND JACK	1
11	10584	AXLE, 3500#, 8IN, 48.5" CL TO CL, 10 DEG DOWN	2
12	14209	WHEEL, ASSEMBLY, STEEL, WHITE, 14 IN, 5 LUG	4
13	19567	BOLT, HEX, FLANGED, 5/8-11 UNC X 2 GRADE 8	8
14	10285	5/8-11 UNC LOCKNUT GR. 8	8
15	10283	5/8" FLAT WASHER GR. 8	8

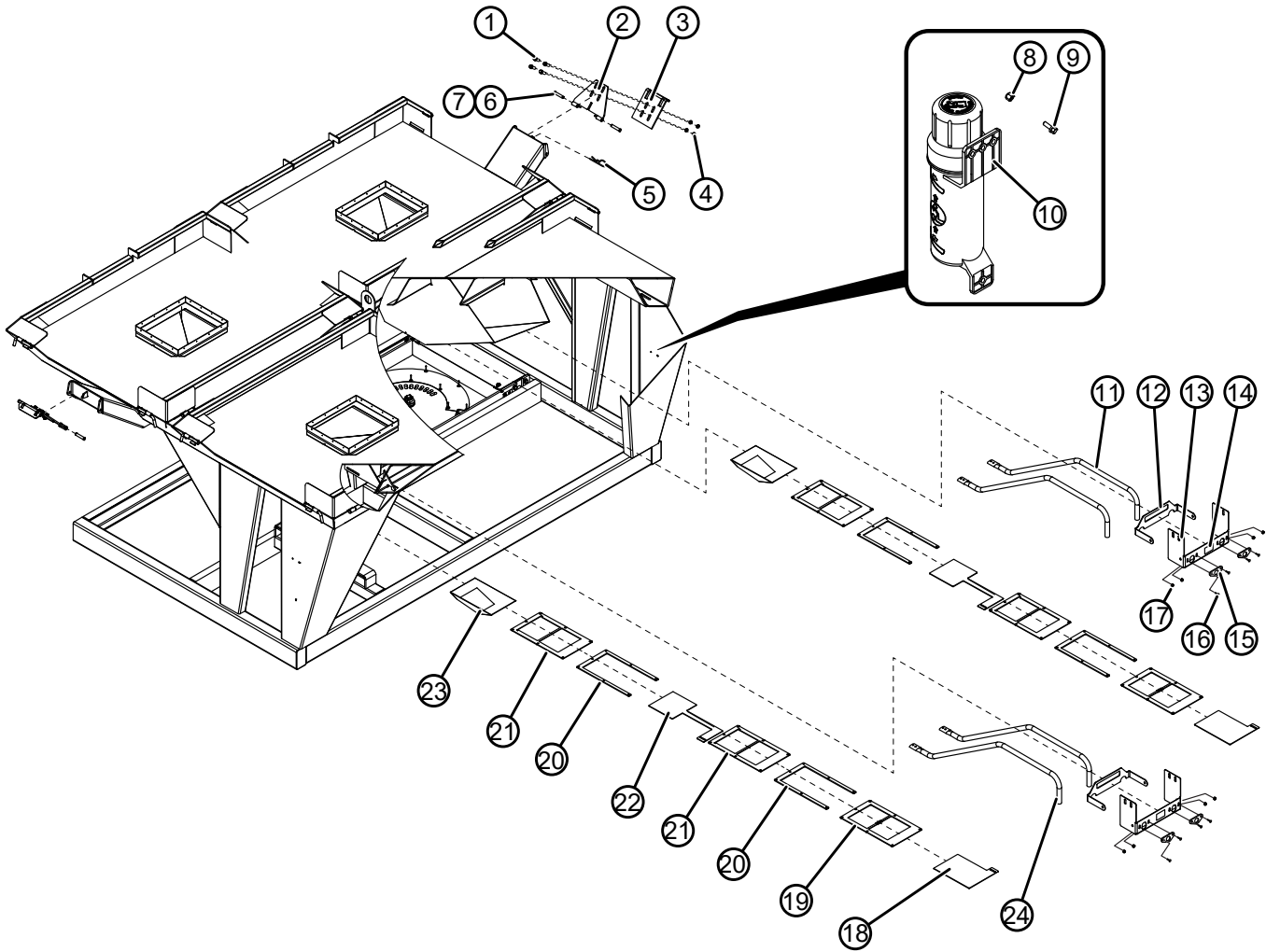
4SE SEED TENDER



Title: 4SE Seed Tender

ITEM	PART #	DESCRIPTION	QTY
1	14020	LID, TITAN, PLASTIC	4
2	19594	HAIRPIN CLIP	8
3	35165	BOX, LOCK-DOWN	2
4	35164	BOX, LOCK-DOWN	2
5	35166	BOX, LOCK-DOWN	2
6	35167	BOX, LOCK-DOWN	2
7	22135-00	PIN, HEADED, 1/2 X 3-1/2"	16
8	19237	PIN, SPRING, ZINC, 5/32 X 3/4"	24
9	22126-00	PIN, BENT, 1/2 X 4"	8
10	19236	PIN, SPRING, ZINC, 5/32 X 1"	8
11	19938	DECAL, WARNING, UPENDING HAZARD	1
12	19127	NUT, LOCK, 1/2-13	8
13	21278-03	STRAP, TIE DOWN	4
14	19323	U-BOLT, 5/16-18 X 1-1/8" X 2-1/8"	4
15	18432	DECAL, NOTICE, PRODUCT WARRANTY	1
16	19984	DECAL, PRODUCT SERIAL NUMBER	1
17	19934	DECAL, CAUTION, READ AND UNDERSTAND	1
18	19597	SCREW, SELF DRILL, 1/4-14 X 3/4"	64
19	22147-00	SEAL, BOX TOP DECK, TITANS	4
20	19956	DECAL, WARNING, PINCH POINT HAZARD	4

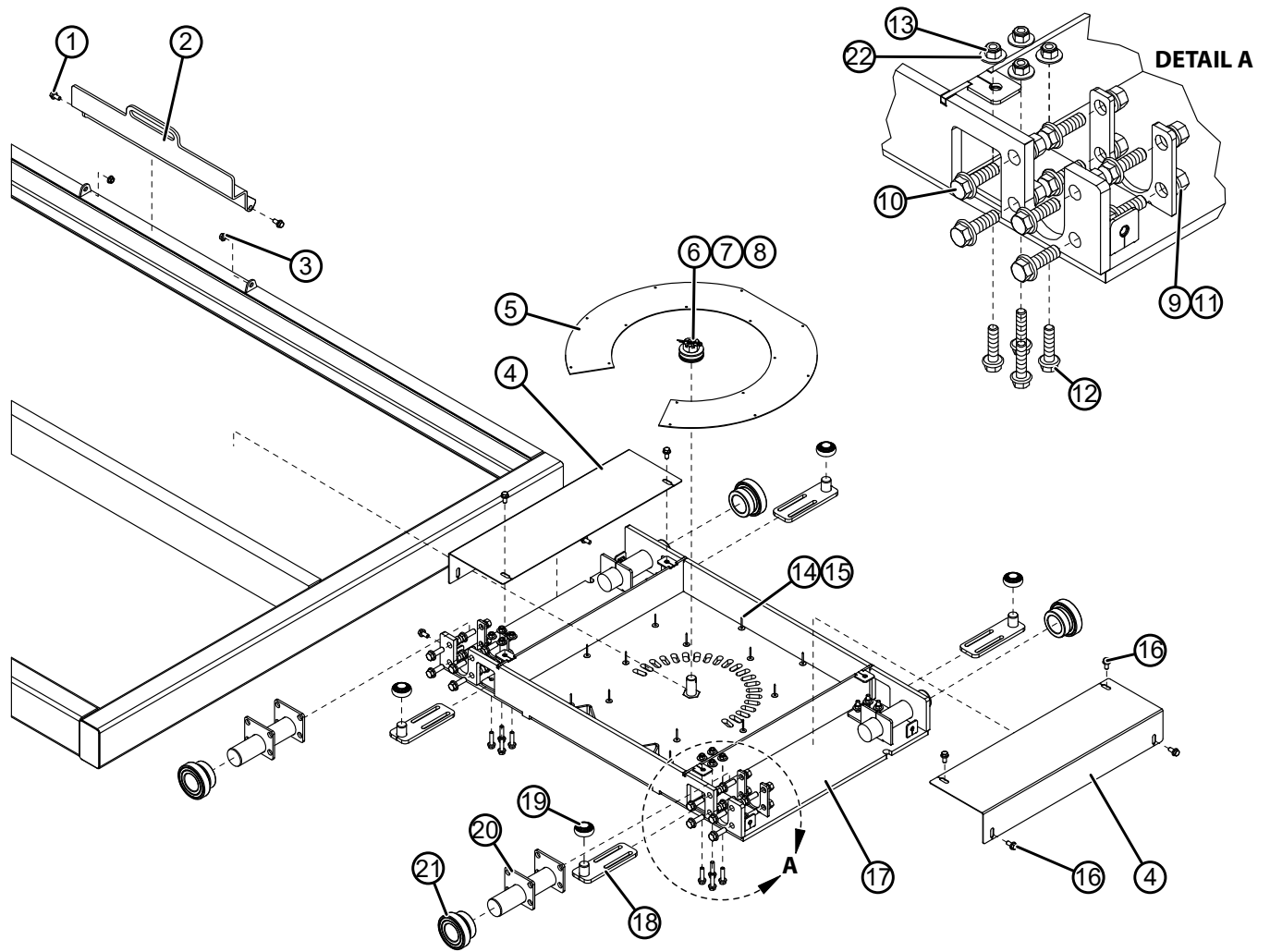
4SE SEED TENDER FRAME



Title: 4SE Seed Tender Frame

ITEM	PART #	DESCRIPTION	QTY
1	19569	BOLT, HEX, FLANGED, 3/8-16 X 1"	4
2	23756-00	TRANSPORT LATCH HOOK	2
3	23758-00	TRANSPORT INNER LATCH PLATE	1
4	19564	NUT, HEX, FLANGED, 3/8-16	4
5	19594	HAIRPIN CLIP	1
6	26068-00	PIN, 1/2" X 2-1/2"	2
7	19237	PIN, SPRING, 5/32" X 3/4"	2
8	19128	NUT, LOCK, 1/4-20	3
9	19560	BOLT, HEX, 1/4-20 X 3/4"	3
10	18128	HOLDER, MANUAL	1
11	23965-00	SLIDE GATE HANDLE	4
12	26098-00	SLIDE HANDLE STOPPER	2
13	23966-00	SLIDE HANDLE SUPPORT BRACKET	2
14	19931	DECAL, PUSH TO OPEN	2
15	19404	BUSHING, NYLON 1"	2
16	19568	BOLT, HEX, FLANGED, 5/16-18 X 3/4"	8
17	19318	NUT, HEX, FLANGED, 5/16-18	8
18	23962-00	SLIDE GATE, TOP	2
19	23958-00	SLIDE GATE, TOP PLATE	2
20	23959-00	SLIDE GATE, SPACER PLATE	4
21	23960-00	SLIDE GATE, MID & BOTTOM PLATE	4
22	23963-00	SLIDE GATE, BOTTOM	2
23	31580	SEED GUIDE WELDMENT	2
24	19447	GRIP, HANDLE	2

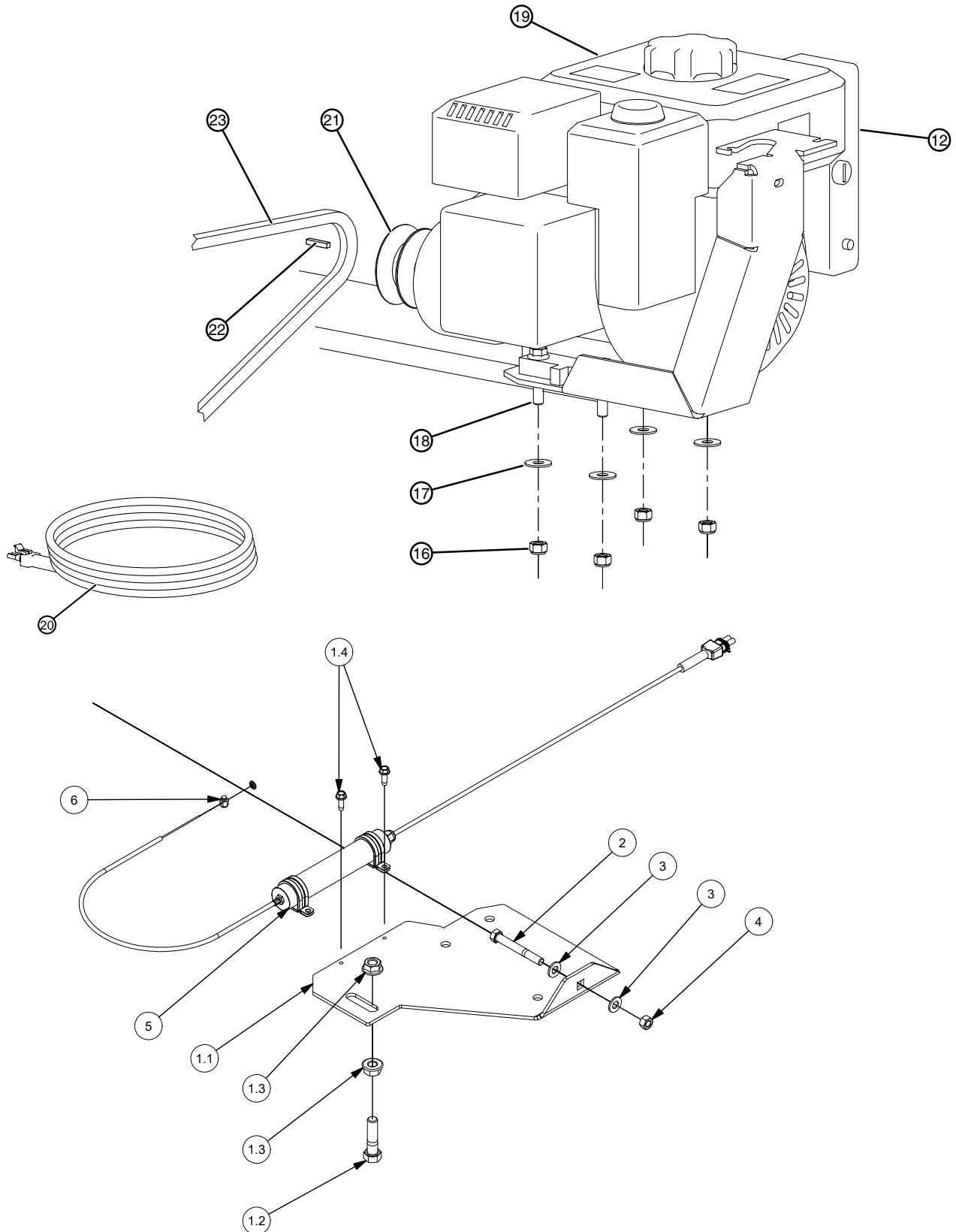
4SE SEED TENDER CARRIAGE



Title: 4SE Seed Tender Carriage

ITEM	PART #	DESCRIPTION	QTY
*	23405-00	COMPLETE CARRIAGE ASSEMBLY	1
1	19581	BOLT, HEX, FLANGED, 5/16-18 X 1"	2
2	23760-00	TURRET STOP	1
3	19586	NUT, LOCK, 5/16-18	2
4	23978-00	CARRIAGE COVER PLATE	2
5	23727-00	ROLLER PLATE, STAINLESS STEEL	1
6	26090-00	WASHER, 1"	4
7	26091-00	NUT, CASTLE, 1-8	1
8	26092-00	PIN, COTTER, 3/16" X 3"	1
9	19369	NUT, HEX, 1/2-13	16
10	19575	BOLT, FLANGED, 1/2-13 X 1-1/2"	16
11	19373	WASHER, LOCK, 1/2"	16
12	19578	BOLT, FLANGED, 3/8-16 X 1-1/2"	16
13	19540	NUT, LOCK, 3/8-16	16
14	19130	WASHER, BACK-UP, 7/16"	15
15	19558	RIVET, STAINLESS STEEL, 3/16" X 1-1/2-5/8"	15
16	19577	BOLT, FLANGED, 3/8-16 X 3/4"	8
17	23406-00	CARRIAGE WELDMENT	1
18	29729-00	IDLER ARM WELDMENT	4
19	21258-00	BEARING	4
20	23728-00	ROLLER SHAFT ASSEMBLY	2
21	18122	BEARING, 2"	4
22	19348	WASHER, FLAT, 3/8"	16

4SE ENGINE AND ACTUATOR



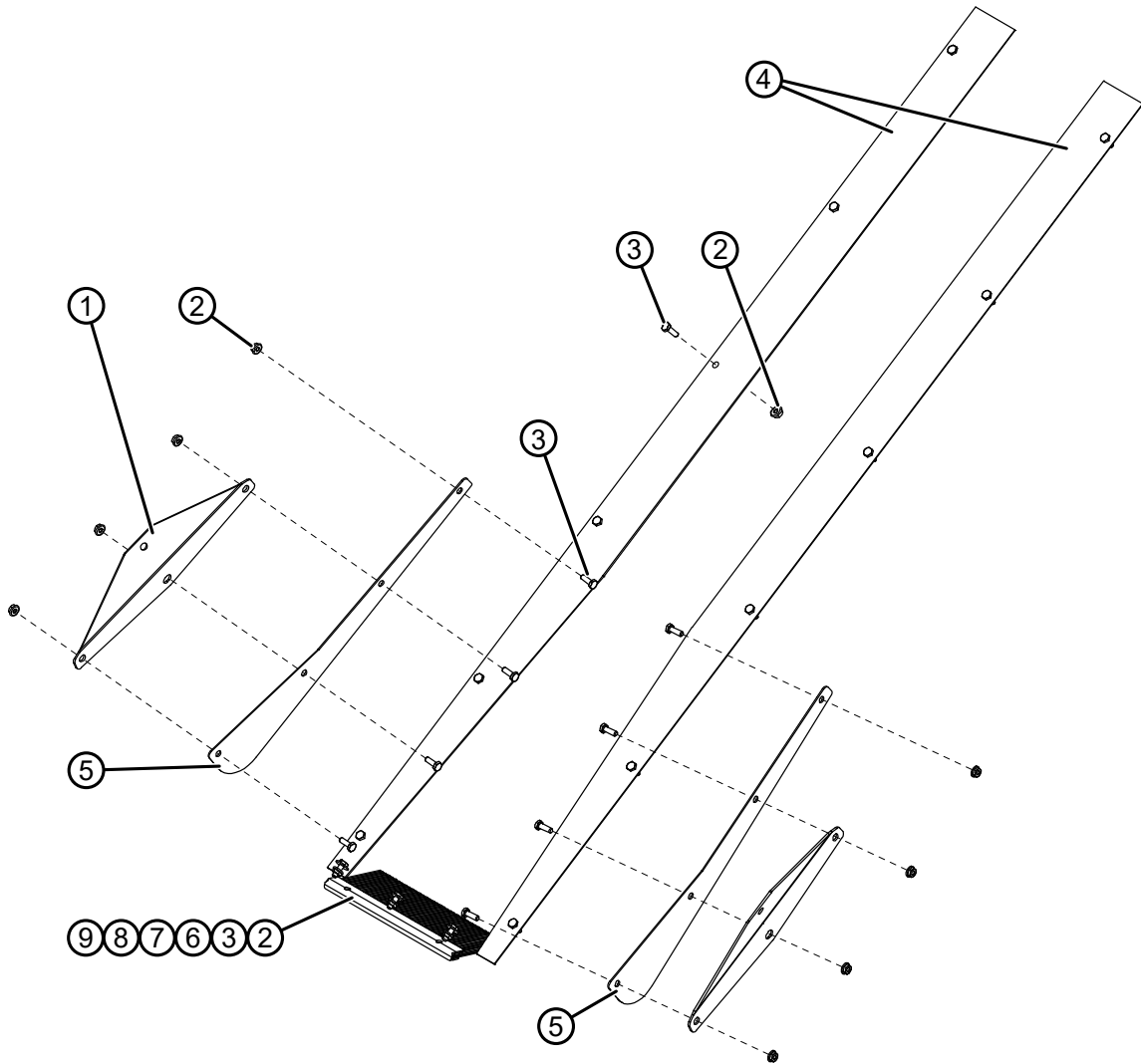
Title: 4SE Engine

ITEM	PART #	DESCRIPTION	QTY
12	21255	MOTOR, HONDA 5.5 HP ELECTRIC START	1
16	19347	NUT, LOCK, 3/8-16 NYLON	4
17	19348	WASHER, FLAT, 3/8	4
18	19626	BOLT, HEX, FLANGED, 3/8-16 X 1-3/4"	4
19	19991	DECAL, RECHARGE BATTERY	1
20	23761-00	HARNESS, THROTTLE REMOTE	1
21	21251-00	PULLEY, 3"	1
22	21261-00	KEY, 1/4" X 2"	1
23	21116	BELT, DRIVE B66	1

Title: Throttle Cable Actuator

ITEM	PART #	DESCRIPTION	QTY
1	38511-00	ACTUATOR BRACKET ASSEMBLY	1
1.1	21424-00	ROWE ACTUATOR BRACKET	1
1.2	19356	BOLT, HEX, 1/2-13 UNC X2	1
1.3	19595	NUT, HEX, FLANGED, 1/2-13 UNC	2
1.4	19597	Ø1/4"-14 X 3/4" HEX WASHER HEAD SELF DRILLING SCREW	2
2	19330	BOLT, HEX, 3/8-16 UNC X 3 STEEL, MILD	1
3	19348	WASHER, FLAT 3/8	2
4	19343	NUT, HEX 3/8-16 UNC	1
5	17721	ACTUATOR W/ CABLE & CLAMPS - RMC2500	1
6	21270-00	THROTTLE CABLE WIRE HOLDER	1

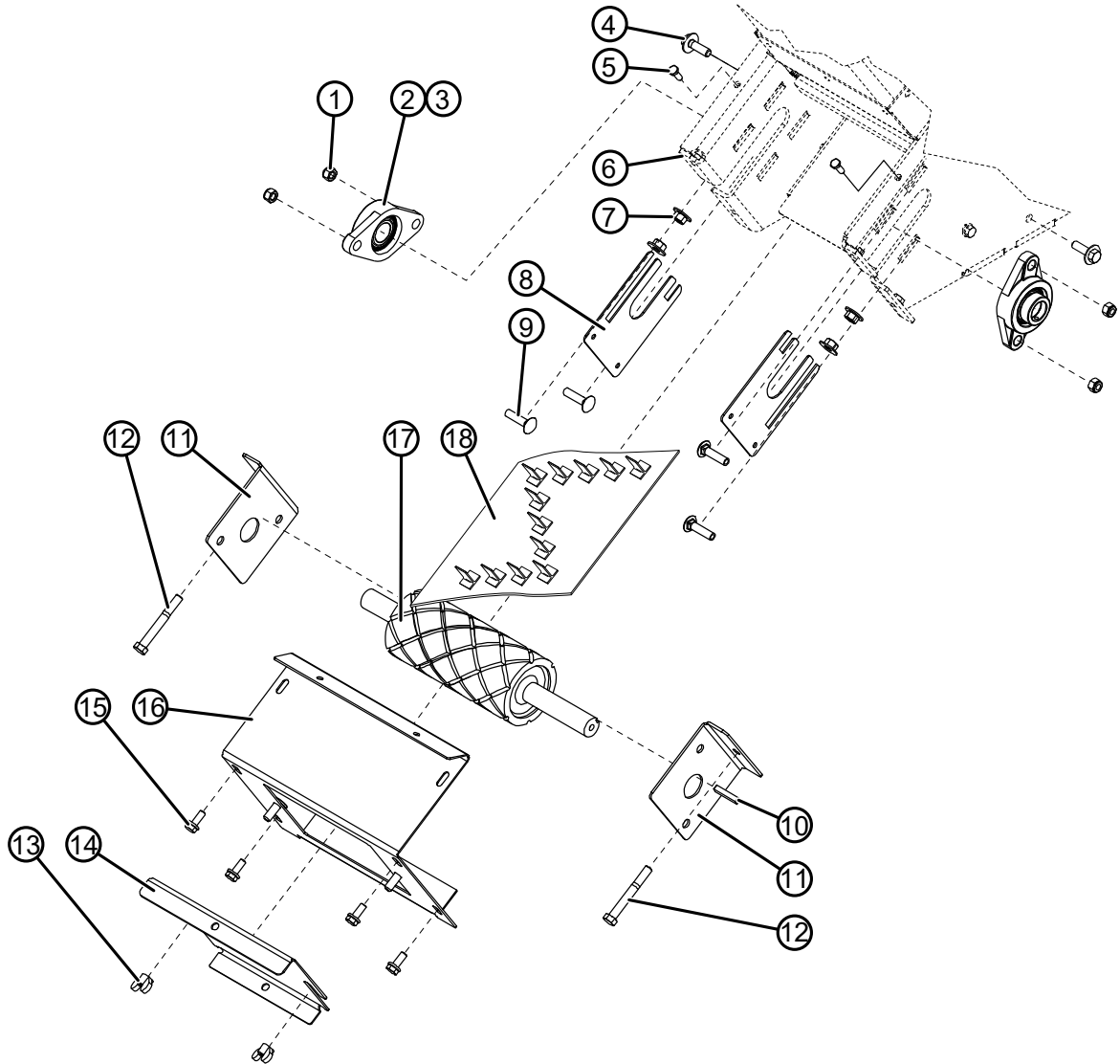
4SE LOWER TURRET DETAIL



Title: 4SE Lower Turret Detail

ITEM	PART #	DESCRIPTION	QTY
1	23982	BOOT STIFFENER	2
2	19126	NUT, HEX, FLANGED, 1/4-20	23
3	19560	BOLT, 1/4-20 X 3/4"	23
4	23751	TURRENT COVER PLATE	2
5	27005	SKIRT HOLD DOWN PLATE	2
6	27009	BRUSH HOLDER CLAMP	1
7	27051	BRUSH	1
8	19307	WASHER, PLAIN, TYPE B, 1/4"	3
9	27008	BRUSH HOLDER	1

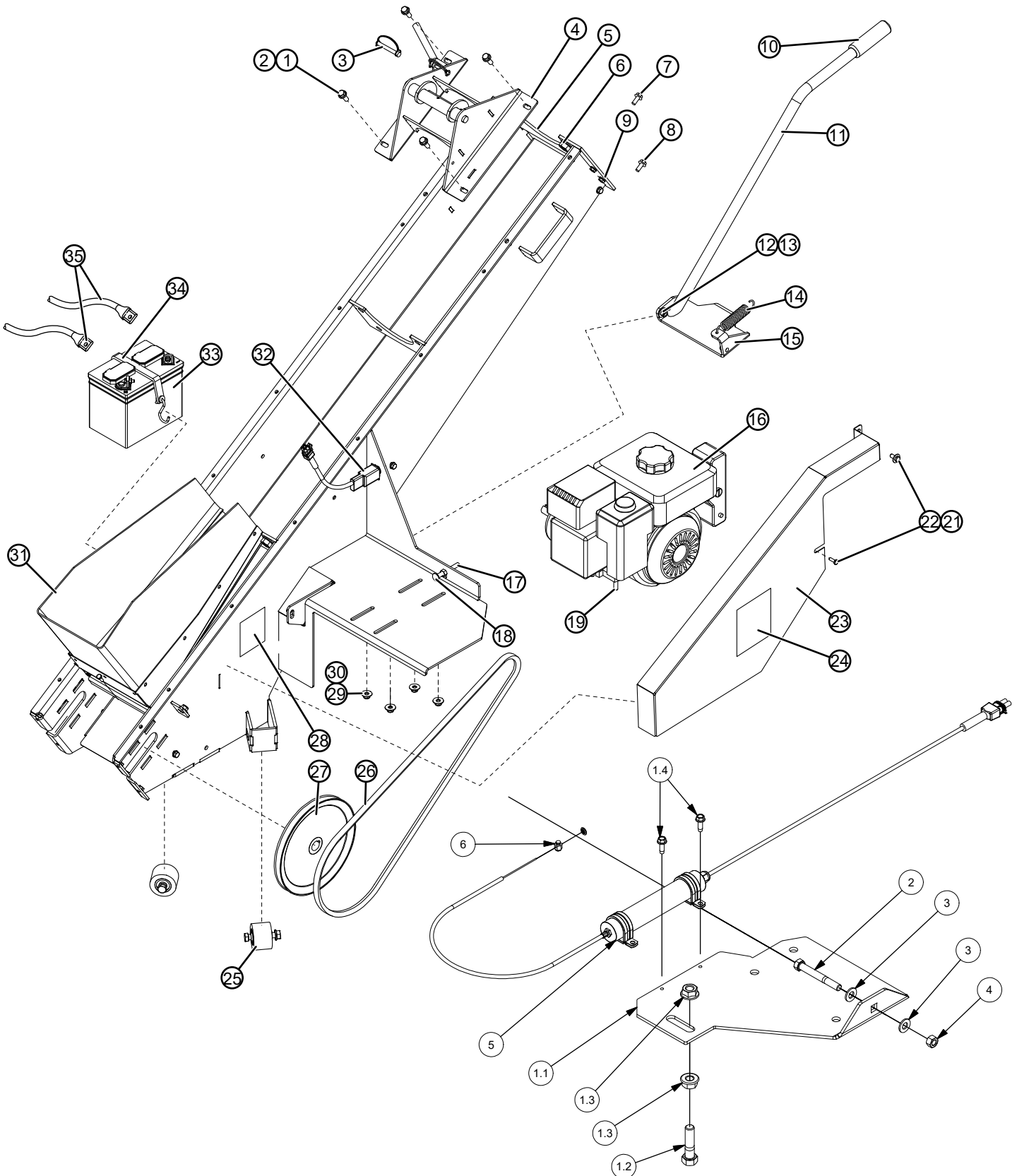
4SE LOWER INTAKE DRIVE WHEEL



Title: 4SE Lower Intake Drive Wheel

ITEM	PART #	DESCRIPTION	QTY
1	19347	NUT, LOCK, NYLON, 3/8-16	16
2	21258-00	BEARING	4
3	27040-00	ROLLER BEARING HOUSING	4
4	19326	BOLT, 3/8-16 X 1-1/4"	2
5	19560	BOLT, 1/4-20 X 3/4"	2
6	23744-00	TURRET WELDMENT	1
7	19343	NUT, HEX, 3/8-16	4
8	27046	BOTTOM ROLLER SEAL PLATE	2
9	19335	BOLT, CARRIAGE, 3/8-16 X 1-1/2"	4
10	21261-00	DRIVE KEY	2
11	27036-00	BOTTOM BEARING ADJUSTMENT PLATE	2
12	19330	BOLT, FULL THREAD, 3/8-16 X 3"	2
13	19346	NUT, WING, 3/8-16	2
14	27023-01	CLEANOUT DOOR	1
15	19568	BOLT, FLANGED, 5/16-18 X 3/4"	18
16	36206-00	BELT SHIELD/BRUSH HOLDER WELDMENT	1
17	36200-01	DRIVE ROLLER ASSEMBLY	1
18	21108-00	BELT, CLEAT CROSS, 8" X 466"	1

4SE LOWER CONVEYOR BELT DRIVE COMPONENTS



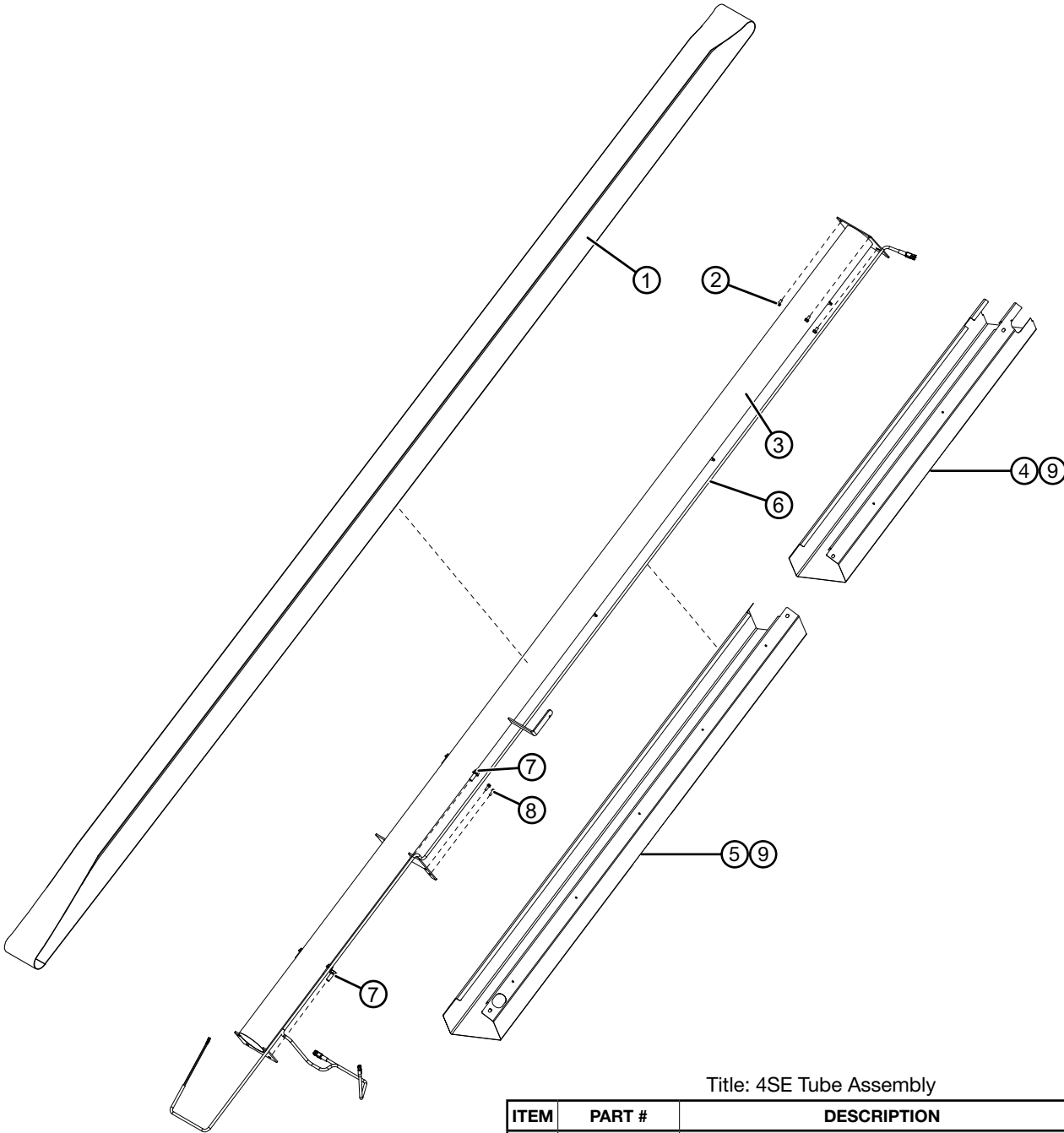
Title: 4SE Lower Conveyor Belt Drive Components

ITEM	PART #	DESCRIPTION	QTY
1	19564	NUT, HEX, FLANGED, 3/8-16	4
2	19569	BOLT, FLANGED, 3/8-16 X 1"	4
3	23753-00	PIN, RETAINER SNAP, 1/4" X 2"	1
4	23735-00	TRANSPORT LATCH	1
5	23732-00	CONVEYOR PAN	1
6	19566	NUT, FLANGED, 5/8-11	6
7	19538	BOLT, HEX, FLANGED, 5/8-11 X 1-1/2"	6
8	19581	BOLT, FLANGED, 5/16-18 X 1"	4
9	19586	NUT, LOCK, NYLON, 5/16-18	4
10	19447	HANDLE, GRIP	1
11	23492-00	LATCH ROTATE HANDLE	1
12	19347	NUT, LOCK, NYLON, 3/8-16	4
13	19348	WASHER, FLAT, 3/8"	4
14	19778	SPRING, EXTENSION, 31/32 OD 4" LENGTH	1
15	23400-00	LATCH ROTATE WELDMENT	1
16	21255	HONDA ENGINE	1
17	19337	BOLT, 3/8-16 X 3"	1
18	19564	NUT, HEX, FLANGED 3/8-16	1
19	19626	BOLT, FLANGED, 3/8-16 X 1-3/4"	4
20	38511-00	ACTUATOR BRACKET ASSEMBLY	1
21	19309	BOLT, 5/16-18 X 3/4"	3
22	19321	WASHER, PLAIN, 5/16"	3
23	23731	BELT COVER WELDMENT	1
24	19937	DECAL, WARNING, MISSING SHIELD	1
25	16340-00	ROLLER TURRET	2
26	21116	BELT DRIVE B66	1
27	21322-00	PULLEY, 10" (B GROOVE)	1
28	18435	DECAL, DANGER, MISSING SHIELD	1
29	19348	WASHER, FLAT, 3/8"	4
30	19347	NUT, LOCK, NYLON, 3/8-16	4
31	27010-00	BOOT SKIRT	1
32	14002	WIRE HARNESS SWITCH WITH PIGTAIL	1
33	-	BATTERY, SP-30 (OR EQUIVALENT)	1
34	21319-00	6" RUBBER BUNGEE STRAP	1
35	18661	CABLE, BATTERY	2

Title: Throttle Cable Actuator

ITEM	PART #	DESCRIPTION	QTY
1	38511-00	ACTUATOR BRACKET ASSEMBLY	1
1.1	21424-00	ROWE ACTUATOR BRACKET	1
1.2	19356	BOLT, HEX, 1/2-13 UNC X2	1
1.3	19595	NUT, HEX, FLANGED, 1/2-13 UNC	2
1.4	19597	Ø1/4"-14 X 3/4" HEX WASHER HEAD SELF DRILLING SCREW	2
2	19330	BOLT, HEX, 3/8-16 UNC X 3 STEEL, MILD	1
3	19348	WASHER, FLAT 3/8	2
4	19343	NUT, HEX 3/8-16 UNC	1
5	17721	ACTUATOR W/ CABLE & CLAMPS - RMC2500	1
6	21270-00	THROTTLE CABLE WIRE HOLDER	1

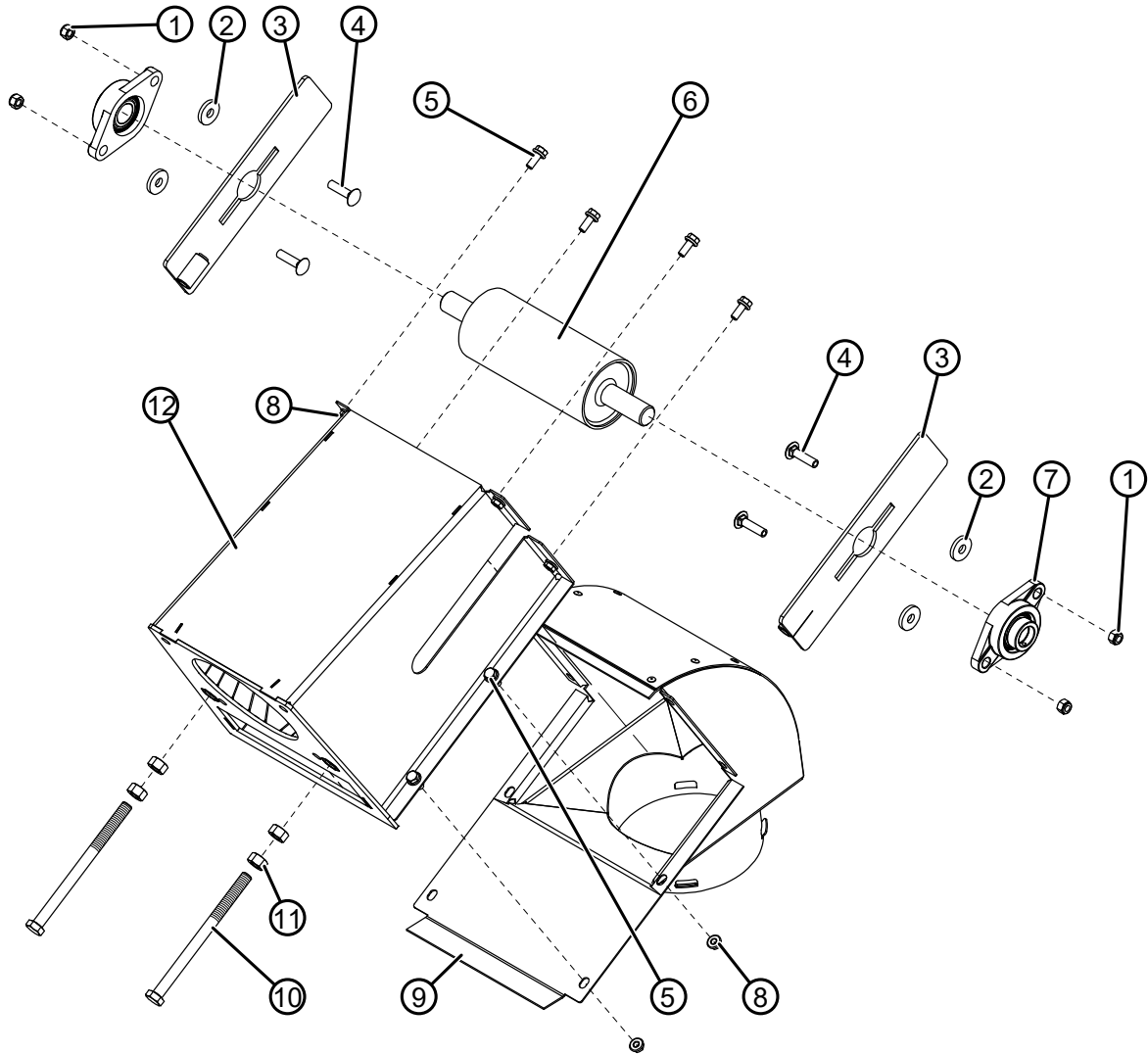
4SE TUBE ASSEMBLY



Title: 4SE Tube Assembly

ITEM	PART #	DESCRIPTION	QTY
1	21108	BELT, CLEATED, 8", 466" LONG	1
2	19577	BOLT, FLANGED, 3/8-16 X 3/4"	4
3	23733-00	CONVEYOR TUBE ASSEMBLY	1
4	25862	GALVANIZED BELT GUARD (TOP SECTION)	1
5	25489	BELT GUARD GALVINIZED	1
6	23761-00	THROTTLE REMOTE HARNESS	1
7	19538	BOLT, FLANGED, 5/8-11 X 1-1/2"	6
8	19581	BOLT, FLANGED, 5/16-18 X 1"	4
9	27055	WIRE HARNESS MOUNT	7

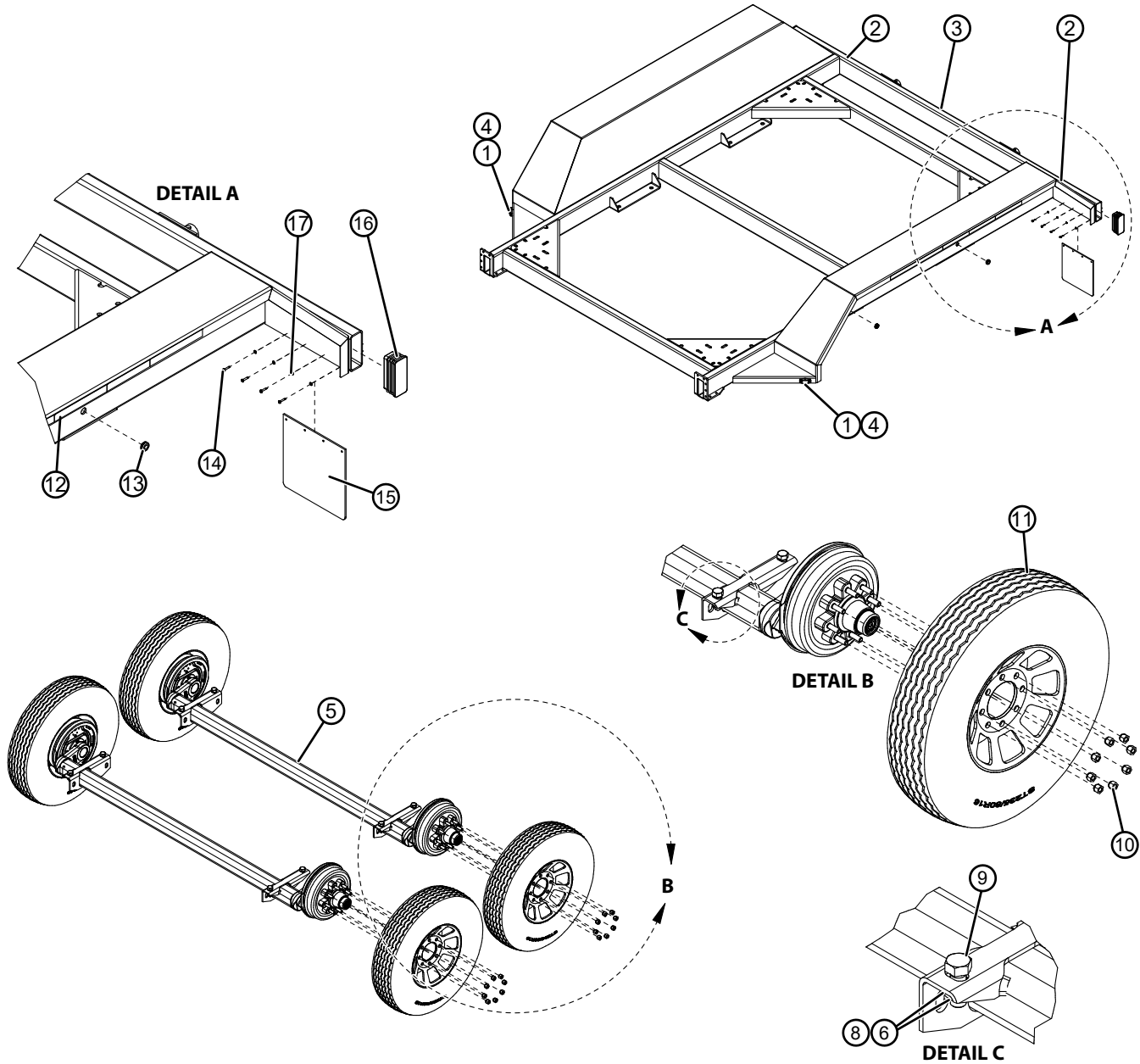
4SE DISCHARGE HOOD



Title: 4SE Discharge Hood

ITEM	PART #	DESCRIPTION	QTY
1	19347	NUT, LOCK, NYLON, 3/8-16	4
2	27019-00	WASHER, BELT TIGHTENER SPACER	4
3	36217-00	WELDMENT, BELT TIGHTNER PLATE	2
4	19335	BOLT, CARRIAGE, 3/8-16 X 1-1/2"	4
5	19568	BOLT, FLANGED, 5/16-18 X 3/4"	4
6	36201-02	SMOOTH TAKE-UP ROLLER ASSEMBLY	1
7	27040-00	ROLLER BEARING HOUSING	2
8	19318	NUT, HEX, FLANGED, 5/16-18	8
9	36211-00	DISCHARGE TRANSITION WELDMENT	1
10	19573	BOLT, FULL THREAD, 1/2-13 X 7"	2
11	19369	NUT, HEX, 1/2-13	2
12	36209-00	DISCHARGE HOOD WELDMENT	1
13	21258-00	BEARING	2

4SE BUMPER HITCH TRAILER



Title: 4SE Bumper Hitch Trailer

ITEM	PART #	DESCRIPTION	QTY
1	18151	LIGHT, AMBER CLEARANCE	2
2	18117	LIGHT, TAIL WITH 10 DIODES (LED STL-78RB)	4
3	22911	WELDMENT, FRAME	1
4	19141	SCREW, ROUND HEAD PAN, #8-32 X 5/8"	4
5	18193	AXLE, 7000 LBS.	2
6	10283	WASHER FLAT 5/8" GR. 8	
8	10285	NUT HEX NYLON 5/8"-11 GR. 8	
9	19567	BOLT 5/8"-11 X 2" FLANGED GR. 8	
10	18991	NUT, LUG, 9/16-18	32
11	18131	TIRE, ST235/80R16	4
12	18153	TAPE, FENDER REFLECTIVE	3
13	14021	GROMMET	5
14	19779	SCREW, SELF DRILLING, #8-18 X 3/4"	8
15	19274	MUD FLAP	2
16	19619	PLUG, TUBE	2
17	19629	WASHER, FLAT, 5/32"	8

LIMITED WARRANTY STATEMENT

Meridian Manufacturing Inc. (hereinafter referred to as Meridian) warrants all products sold hereunder to be free from defects in manufacturing and workmanship, under normal and proper storage, service, and use, for a period of 2 (TWO) years: the first year - full warranty on Parts and Labor, the second year - Parts Only; when used in accordance with the manufacturer's guidelines, from the first date of use. Our liability extends only to the repair or replacement of the defective parts. No labor charge for the correction of the defect, by repair or replacement, will be paid by Meridian, unless prior written authorization has been granted by Meridian. Units that have been in service, then sold will carry the remainder of the 2 year warranty from Meridian.

This warranty is not applicable to, and Meridian makes no warranty with respect to, any parts not installed by Meridian or its representatives.

No implied warranty shall apply beyond the aforementioned warranty period. The foregoing warranty is exclusive of all other statutory, written or oral warranties, and no other warranties of any kind, statutory or otherwise, are given or herein expressed.

Meridian will not, under any circumstance; whether as a result of breach of contract, breach of warranty, tort, strict liability or otherwise; be liable for consequential, incidental, special or exemplary damages. This includes, but not limited to: loss of profits, loss of use or damage to any property or equipment, cost of capital, cost of substitute product, facilities or services, down time costs or claim of claimant's customers. Meridian liability for all claims of any kind or for any loss or damage arising out of, resulting from or concerning any aspect of this warranty, or from the products or services furnished hereunder; shall not exceed the purchase price allocable to the specific product which gives rise to the claim. Any or all such liability shall terminate upon the expiration of the warranty set forth above.

Certain chemicals may exist in the end user's locations, which may release airborne contaminants that can directly impact the integrity of essential paint and components. Exposure of these chemicals, to components with different chemical combinations may result in significant damage to paint, decals and mechanical failure. Meridian warranty does not cover these conditions unless otherwise noted.

All Meridian products that fall under warranty and needs service must be brought back to the dealer or point of purchase, unless otherwise agreed upon by the Meridian Warranty Department.

Register your product at: www.meridianmfg.com
For warranty information, email: warrantyusa@meridianmfg.com | phone: (800) 437-2334

WARRANTY REQUEST PROCEDURE

1. The product must be registered with Meridian Manufacturing Inc.
2. The purchaser must contact the dealer, from where the unit was purchased, immediately upon discovery of any defects.
3. A completed Warranty Request (Claim) Form must be submitted by the dealer to the Meridian's warranty representative for review and any subsequent course of action.
 - Warranty requests must be completed with ALL required information in order it to be considered for approval.
 - Send photographs of the entire piece of equipment, and of the specific area of concern.
4. Warranty repair work will only be performed by Meridian or an approved representative of Meridian. Warranty work completed prior to Meridian's approval will NOT be honoured. Failure to follow this procedure may affect any or all of this warranty.
5. All warranty requests will be adjudicated at the sole discretion of Meridian and in accordance with the terms and conditions of the warranty.



(800) 437-2334 | www.meridianmfg.com | tenders@meridianmfg.com