

**MERIDIAN**<sup>®</sup>

# **ASSEMBLY AND PARTS LIST MANUAL**



## **CONVENTIONAL AUGER**

HD8-33 • HD8-39 • HD8-46 • HD8-53  
HD8-59

[www.meridianmfg.com](http://www.meridianmfg.com)

# DECLARATION OF CONFORMITY

We the Manufacturer:

**Meridian Manufacturing Inc.  
PO Box 1996 2800 Pasqua Street North  
Regina, Sk,Canada  
S4P 3E1**

Declare the Augers listed below conform to the 2006/42/EC Machinery  
Directive

HD8-33  
HD8-39  
HD8-46  
HD8-53  
HD8-59

WFN 1512-1519, 1539

The Meridian HD8 Series Belt Drive Screw Conveyor and Tube Assembly  
is designed for the movement of Grains and Cereals.

# TABLE OF CONTENTS

## **GENERAL**

- A1 Declaration of Conformity
- A2 Table of Contents
- A3 Sign Off Sheet

## **ASSEMBLY**

- B1 Main Frame & A-Frame Assembly
- B2 Tube Assembly
- B3 Belt Drive PTO Conversion

## **PARTS**

- C1 Head - End Assembly
- C2 Gear Box Assembly
- C3 Main Frame Assembly
- C11 A-Frame Assembly
- C16 Winch Assembly
- C17 Motor Mount Assembly
- C19 Tube Assembly
- C29 PTO Attachment
- C30 PTO Assembly
- C31 General Parts

## **INDEX**

- D1 Parts Index

## **WARRANTY**

- E1 Warranty and Disclaimer

# MERIDIAN GRAIN EQUIPMENT SIGN OFF SHEET

As a requirement of OSHA, it is necessary for the employer to train the employee in the safe operation and safety procedures with this equipment. We include this sign-off sheet for your convenience and personal record keeping.

DATE	EMPLOYER SIGNATURE	EMPLOYEE SIGNATURE

# FRAME ASSEMBLY

NOTE: Reference to right and left hand used throughout this manual refers to the position standing at the intake end looking toward the head-end.

## A-FRAME ASSEMBLY

1. Lay out the frame as shown in **Fig 1**
2. Install spindles in frame using the last or bottom holes in the A-Frame.
3. Place A-Frame so the stub on the Main Frame axle can be slid into the second hole on the A-Frame. Now do the same on the other side. Both pieces should be installed on the axle and be pointing in the opposite direction. (**Fig 1**)
4. Install A-Frame cross brace on A-Frame.
5. Mount gooseneck to the A-Frame, using the middle holes on the gooseneck and the upper end of A-Frame.
6. Install track roller brackets and track roller as shown in **Fig 2**. (do not tighten)
7. When assembling swing augers, install lift cable roller at the upper end of gooseneck.
8. Mount tires on rims and mount rims on axle spindles.

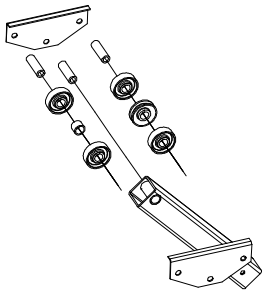


FIGURE 2

## MAIN FRAME ASSEMBLY

1. Lay frame out as shown in **Fig 1**
2. Fasten Main Frame to axle using 7/16" dia. bolts. (do not tighten)
3. Install Main Frame to axle braces and Main Frame cross brace at the same time.
4. Install winch base plate and belt idler bracket.
5. Bolt on winch.
6. Fasten battery mount.
7. Assemble cable roller bracket and mount frame.
8. Leave out two bolts on winch plate so Main Frame can be spread apart to fit on tube pins.

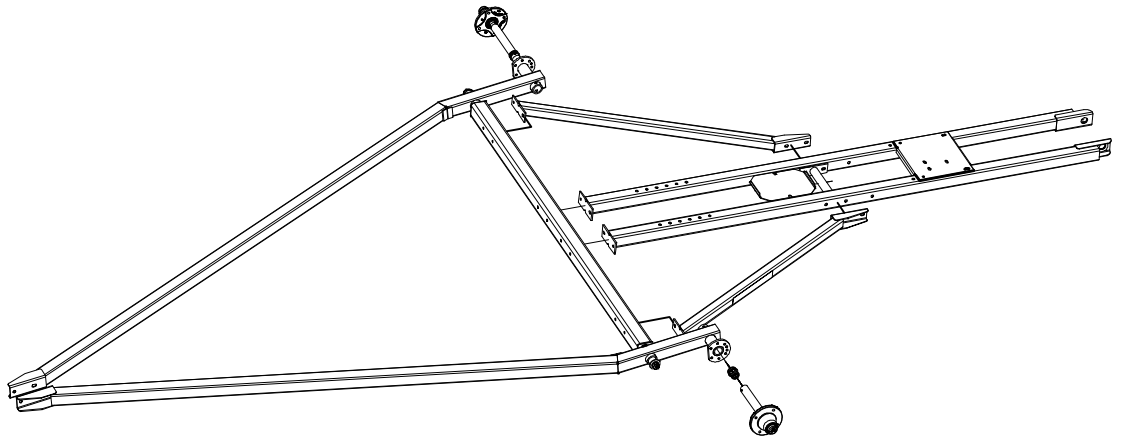


FIGURE 1

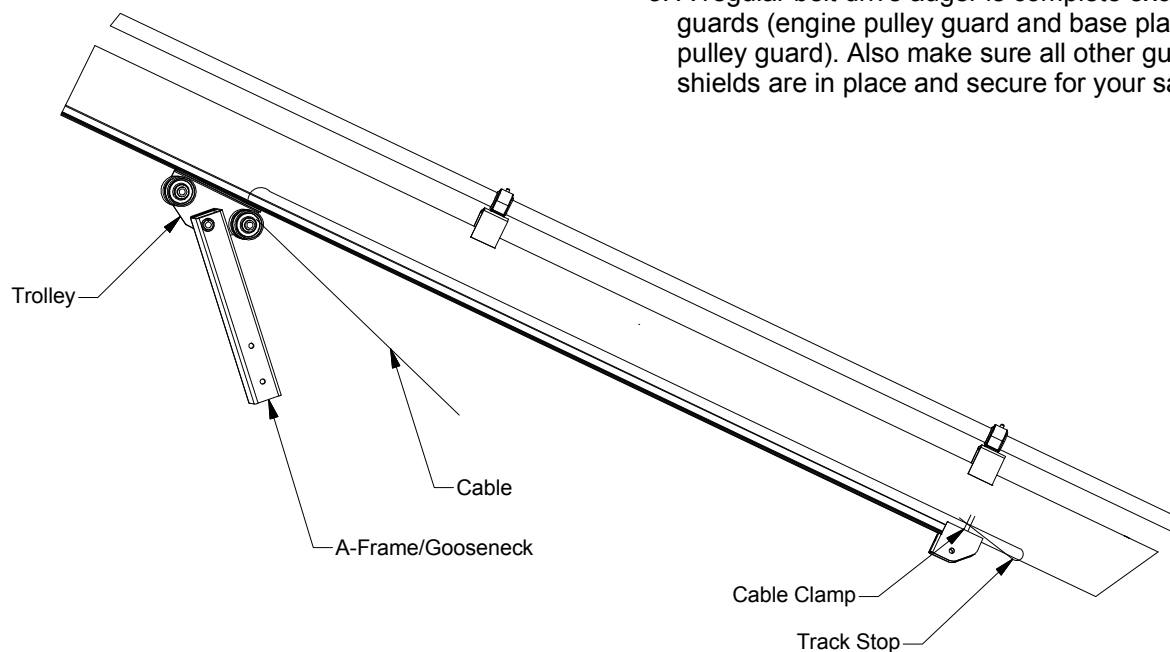
# TUBE ASSEMBLY

## ASSEMBLY

1. Tube assembly has been pre-assembled at the factory, at this time you should check the tube for damage.
2. After checking for damage, this is a good time to grease drive shaft bearings and oil head-end chains. Head-end bearings have been prelubricated.

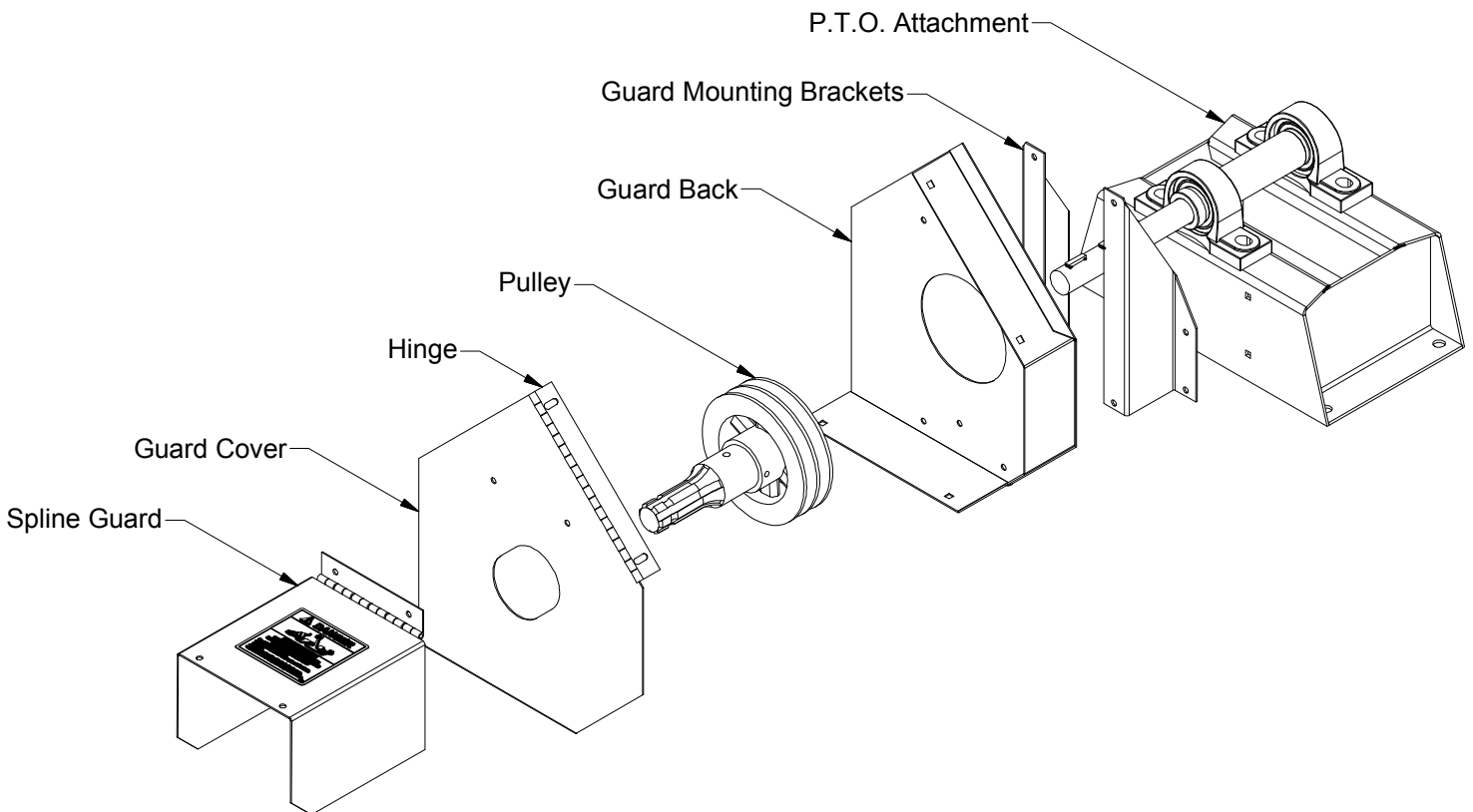
## INSTALLATION

1. Raise head-end of the auger tube about 5 ft. Position the complete frame under the auger tube. Place A-Frame to head-end, and Main Frame to intake end. At this time you should run the cable around the grooved roller on the gooseneck.
2. Lift A-Frame up to head-end of the track on the bottom of the auger tube. Spread track roller brackets and fit over track, then tighten.
3. Make sure that the track rollers are well lubricated and rotate freely.
4. Now raise the head-end of the auger tube high enough to allow the Main Frame to fit on the steel pins of the tube assembly. These are the same pins that the truss cable eyebolts are mounted to.
5. Roll frame back to allow the frame to line up to the tube assembly. Then tighten all the bolts on the complete frame and insert all other frame bolts.
6. Lower the auger to the ground and allow the A-Frame to rest against the track stop.
7. Attach cable to the bottom track stop with cable clamp. Cable will already be threaded through the cable roller in the gooseneck (done in previous step). The cable then runs around the Main Frame cable roller and then to the winch. Allow 3 wraps of cable around the winch drum before cable is tight.
8. A regular belt drive auger is complete except for safety guards (engine pulley guard and base plate, gear box pulley guard). Also make sure all other guards and shields are in place and secure for your safety.

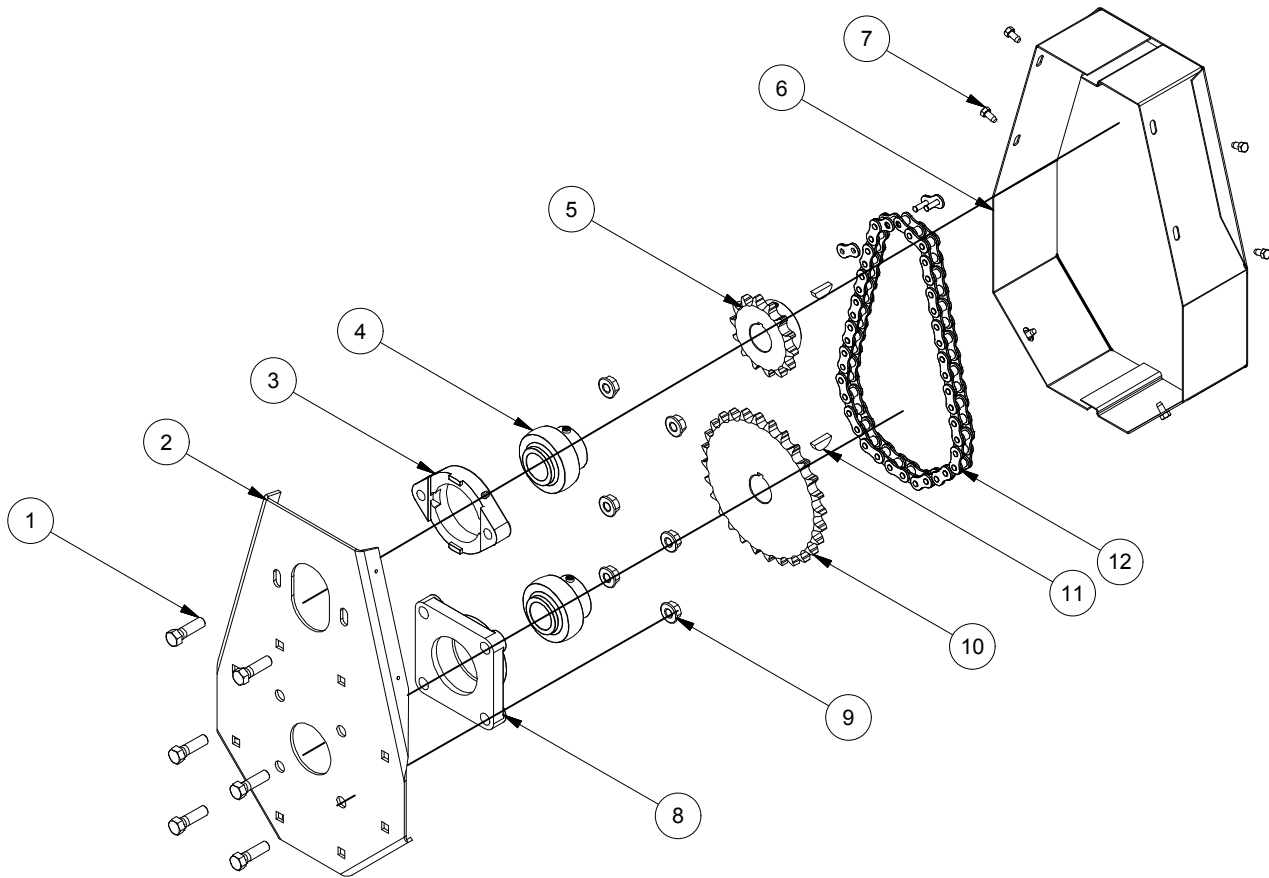


# BELT DRIVE ASSEMBLY

1. Mount PTO base onto motor mount base (leave bolts loose).
2. Bolt guard mounting brackets to PTO base on the side that has bolt holes. The small end of the bracket bolts onto the PTO base.
3. Bolt the guard base to the large end of the brackets.
4. Take the V-pulley in the PTO kit and mount it on the gear box of the main auger tube. Hub of the V-pulley must face into gear box.
5. Take the old V-pulley from the gear box and mount it on the PTO shaft of the PTO base. Face the hub of the V-pulley into the PTO base.
6. Bolt guard cover onto guard base.
7. Slide splined coupler onto PTO drive shaft and then tighten the screws.
8. Bolt cover guard to V-pulley guard.



## HEAD - END

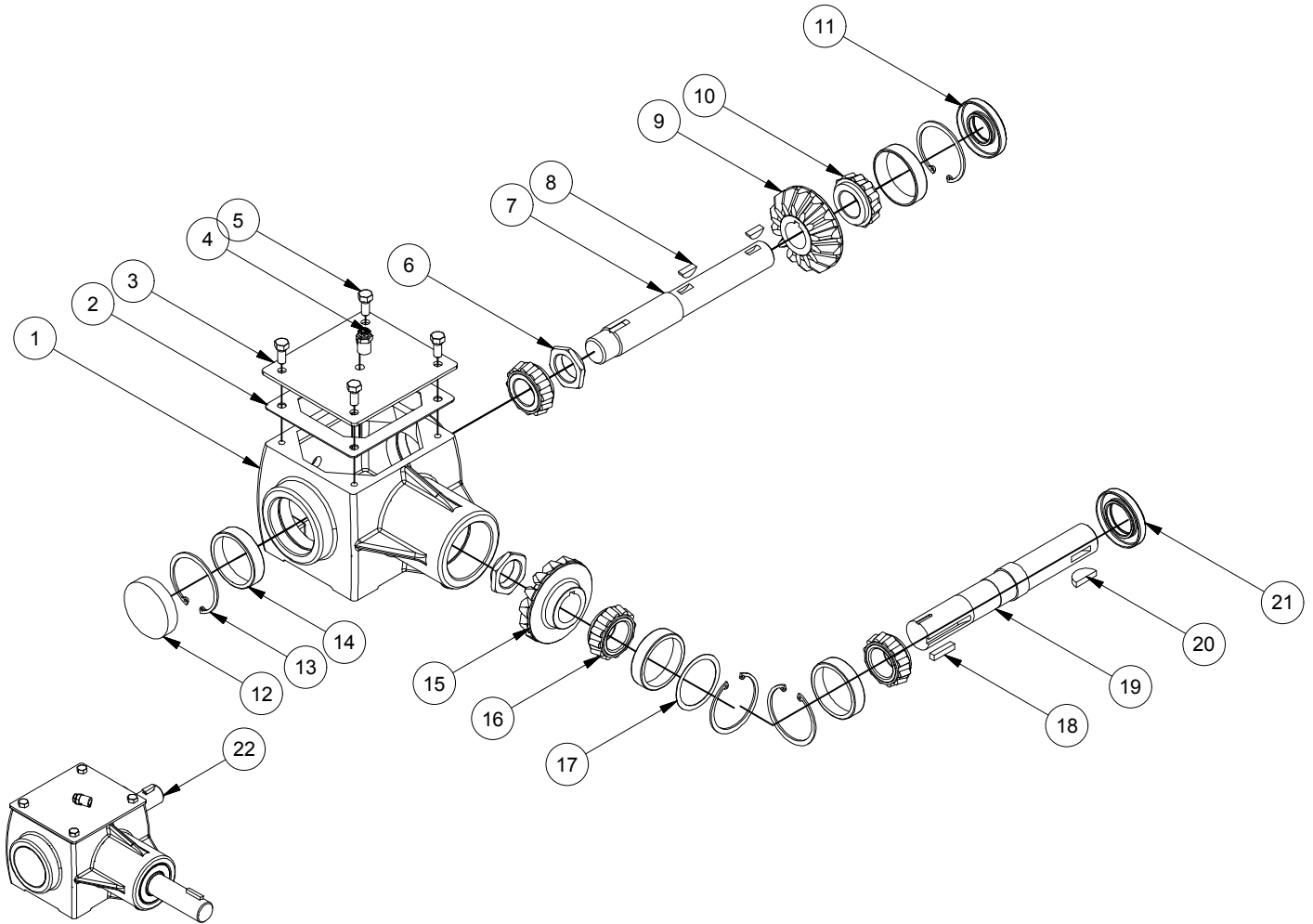


HD8			
REF #	PART #	QUANTITY	DESCRIPTION
1	13-0702-07024	6	7/16-14 UNC - 1.5 Hex Cap Screw
2	13000002364-00	1	Head End Plate
3	13000002486-00	1	Bearing Ball c/w Hsg & Clr 1 1/4"
4	13000001456-00	2	Bearing Ball c/w Collar 1 1/4"
5	13000001668-00	1	1 1/4" Bore 14 Tooth Sprocket
6	13000002342-00	1	Cover Head End
7	13-0706-04008	6	1/4" Self Tapping Screw
8	13000002511-00	1	1 1/4" Ball Bearing Insert c/w Housing
9	13-0731-00007	6	7/16-14 UNC Flange Nut
10	13000002032-00	1	1 1/4" Bore 28 Tooth Sprocket
11	13-0740-00808	2	Woodruff Key
12	13000001202-00	1	Chain c/w Connecting Link 60-1-42



PARTS

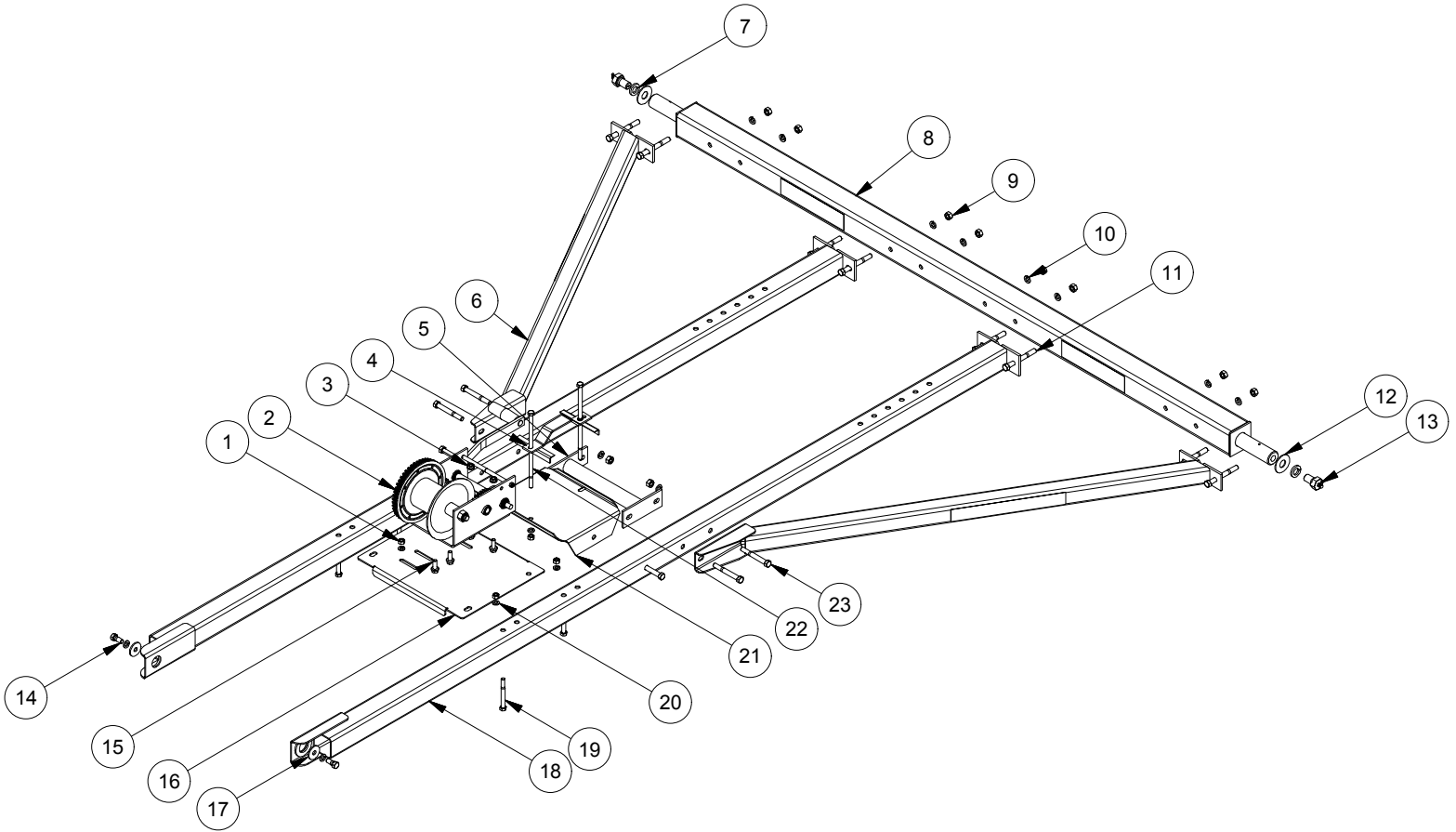
# GEAR BOX



HD8			
REF #	PART #	QUANTITY	DESCRIPTION
1	13000001086-00	1	Gear Box Housing
2	13000001085-00	1	Cover Gasket
3	13000001084-00	1	Gear Box Cover
4	13000001083-00	1	Vent Plug & Bushing
5	13-0702-05012	4	5/16-18 UNC - 0.75 Hex Cap Screw
6	13000001087-00	2	Adjusting Nut - 1-1/4 -18
7	13000002959-00	1	Output Shaft
8	13-0740-00808	2	Woodruff Key, 1/4" x 7/8"
9	13000001093-00	1	Bevel Gear - 1 1/8" Bore
10	13000001088-00	2	Tapered Roller Bearing - Cone
11	13000001095-00	1	Oil Seal - 1 1/8" ID
12	13000001092-00	1	Cap
13	13000001091-00	4	Snap Ring
14	13000001089-00	4	Tapered Roller Bearing - Cup
15	13000001208-00	1	Bevel Gear - 1 1/4" Bore
16	13000001207-00	2	Tapered Roller Bearing 1 1/4" - Cone
17	13000001090-00	As Req'd	Shim
18	13000004637-00	1	Key - Square 1/4" x 1/4" x 1 1/8"
19	13000001496-00	1	Input Shaft
20	13-0740-00809	1	Woodruff Key, 1/4" x 1 1/8"
21	13000001494-00	1	Oil Seal - 1 3/8" ID
22	13000001403-00	1	Gearbox Complete

PARTS

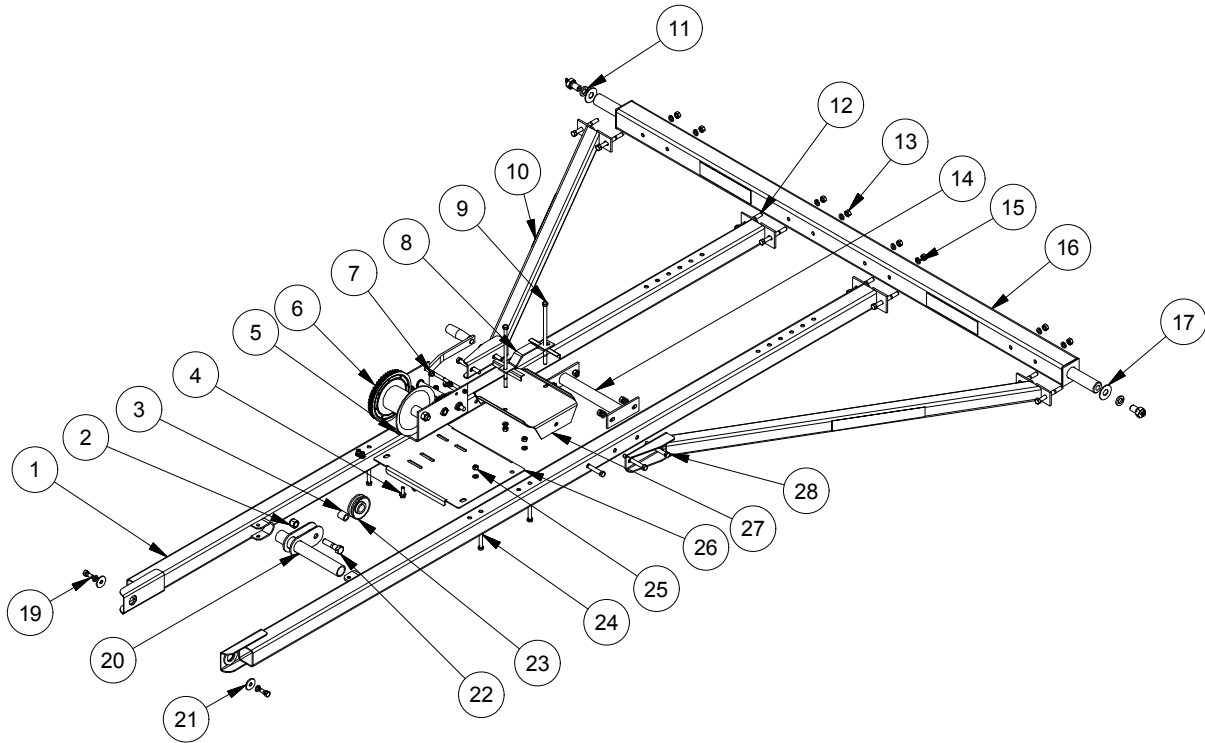
# MAIN FRAME - HD8-33



HD8-33			
REF #	PART #	QUANTITY	DESCRIPTION
1	13-0725-00006	6	Hex Nut - 3/8"
2	13000001681-00	1	K-2550 Fulton Winch
3	13-0731-00006	4	Flange Nut - 3/8-16 UNC
4	13000001924-00	1	Battery Top Mount
5	13000002018-00	1	Cross Brace
6	13000002372-00	2	Axle Brace Assembly
7	13-0734-00012	2	Lock Washer - 3/4"
8	13000002023-00	1	Axle
9	13-0725-00007	14	Hex Nut - 7/16"
10	13-0734-00007	16	Lock Washer - 7/16"
11	13-0702-07064	8	Hex Cap Screw - 7/16-14 UNC - 4
12	13-0735-00012	2	Plain Washer - 3/4"
13	13000001926-00	2	Zerk Bolt Assembly
14	13-0702-07016	2	Hex Cap Screw - 7/16-14 UNC - 1
15	13-0712-06016	4	Flange Bolt - 3/8-16 UNC x 1
16	13000001378-00	1	Winch Base Plate
17	13000003117-00	2	Flat Washer - 7/16"
18	13000002354-00	2	Frame Main
19	13-0702-06056	4	Hex Cap Screw - 3/8-16 UNC - 3.5
20	13-0734-00006	6	Lock Washer - 3/8"
21	13000001922-00	1	Mount Battery
22	13-0702-06144	2	Hex Cap Screw - 3/8-16 UNC - 9
23	13-0702-07056	6	Hex Cap Screw - 7/16-14 UNC - 3.5

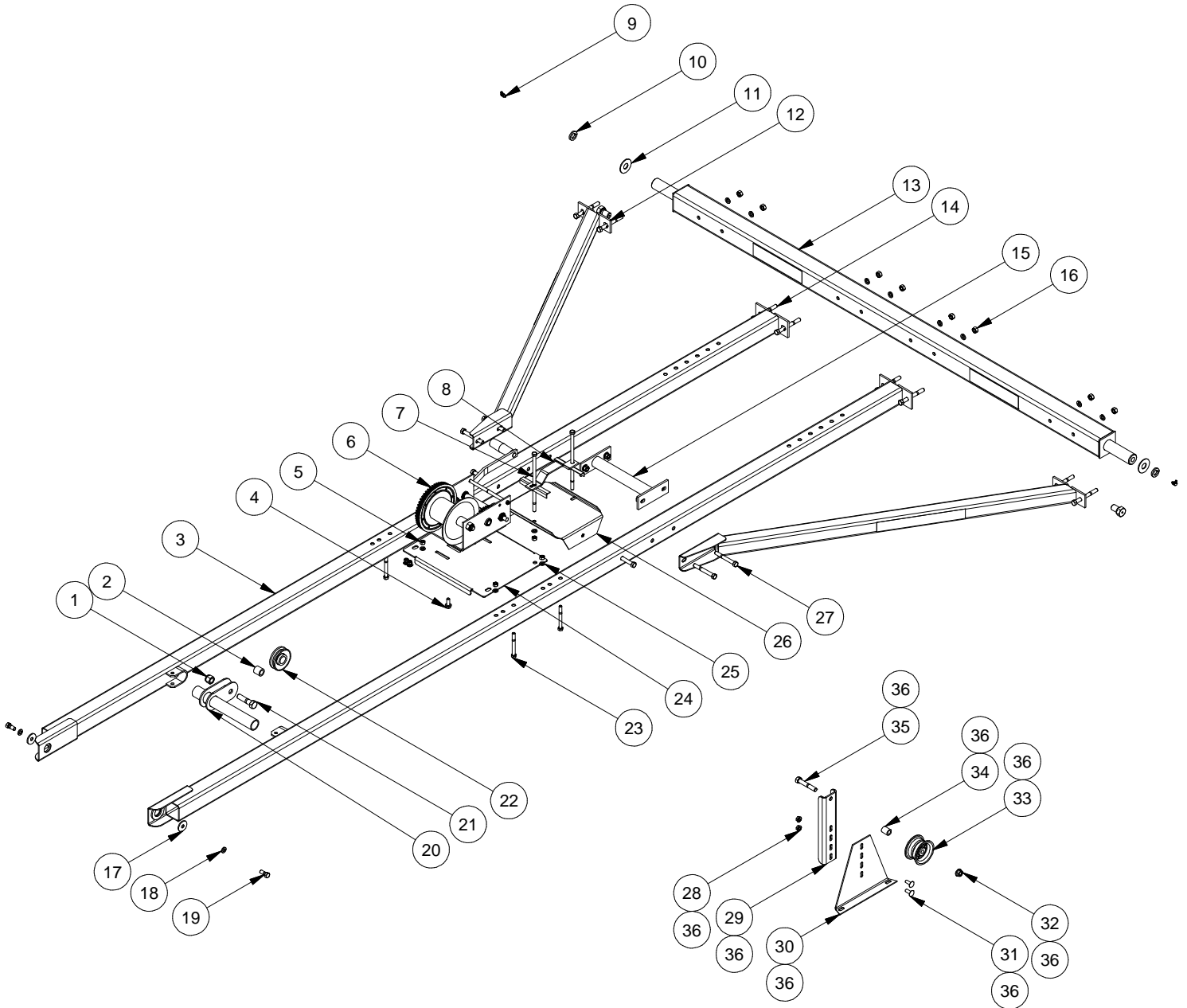
PARTS

# MAIN FRAME - HD8-39



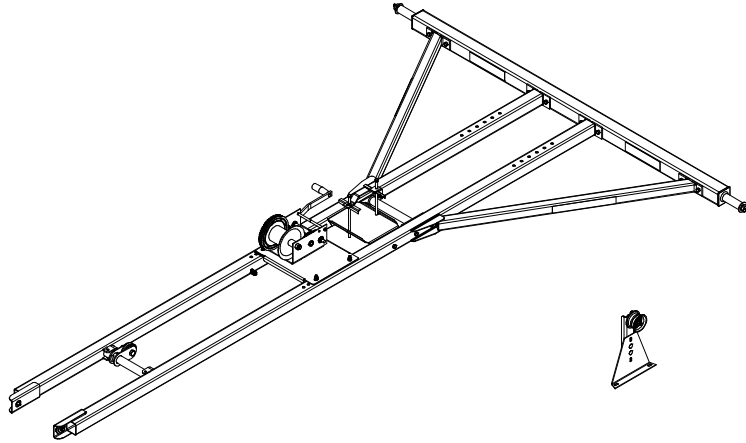
HD8-39			
REF #	PART #	QUANTITY	DESCRIPTION
1	13000002355-00	2	Frame Main
2	13-0729-00010	1	Nylock Nut - 5/8 Std NC
3	13000001381-00	1	Cable Roller Bushing
4	13-0712-06016	4	Flange Bolt - 3/8-16 UNC x 1
5	13-0734-00006	6	Lock Washer - 3/8"
6	13000001681-00	1	K-2550 Fulton Winch
7	13-0731-00006	4	Flange Nut - 3/8-16 UNC
8	1300001924-00	1	Battery Top Mount
9	13-0702-06144	2	Hex Cap Screw - 3/8-16 UNC - 9
10	13000002372-00	2	Axle Brace Assembly
11	13-0734-00012	2	Lock Washer - 3/4"
12	13-0702-07064	8	Hex Cap Screw - 7/16-14 UNC - 4
13	13-0725-00007	14	Hex Nut - 7/16"
14	13000002018-00	1	Cross Brace
15	13-0734-00007	16	Lock Washer - 7/16"
16	13000002023-00	1	Axle
17	13-0735-00012	2	Plain Washer - 3/4"
18	13000001926-00	2	Zerk Bolt Assembly
19	13-0702-07016	2	Hex Cap Screw - 7/16-14 UNC - 1
20	13000001380-03	1	Cable Roller Bracket
21	13000003117-00	2	Flat Washer - 7/16"
22	13-0702-10040	1	Hex Cap Screw - 5/8-11 UNC - 2.5
23	13000001017-00	1	Cable Roller
24	13-0702-06056	4	Hex Cap Screw - 3/8-16 UNC - 3.5
25	13-0725-00006	6	Hex Nut - 3/8"
26	13000001378-00	1	Winch Base Plate
27	13000001922-00	1	Mount Battery
28	13-0702-07056	6	Hex Cap Screw - 7/16-14 UNC - 3.5

# MAIN FRAME - HD8-46



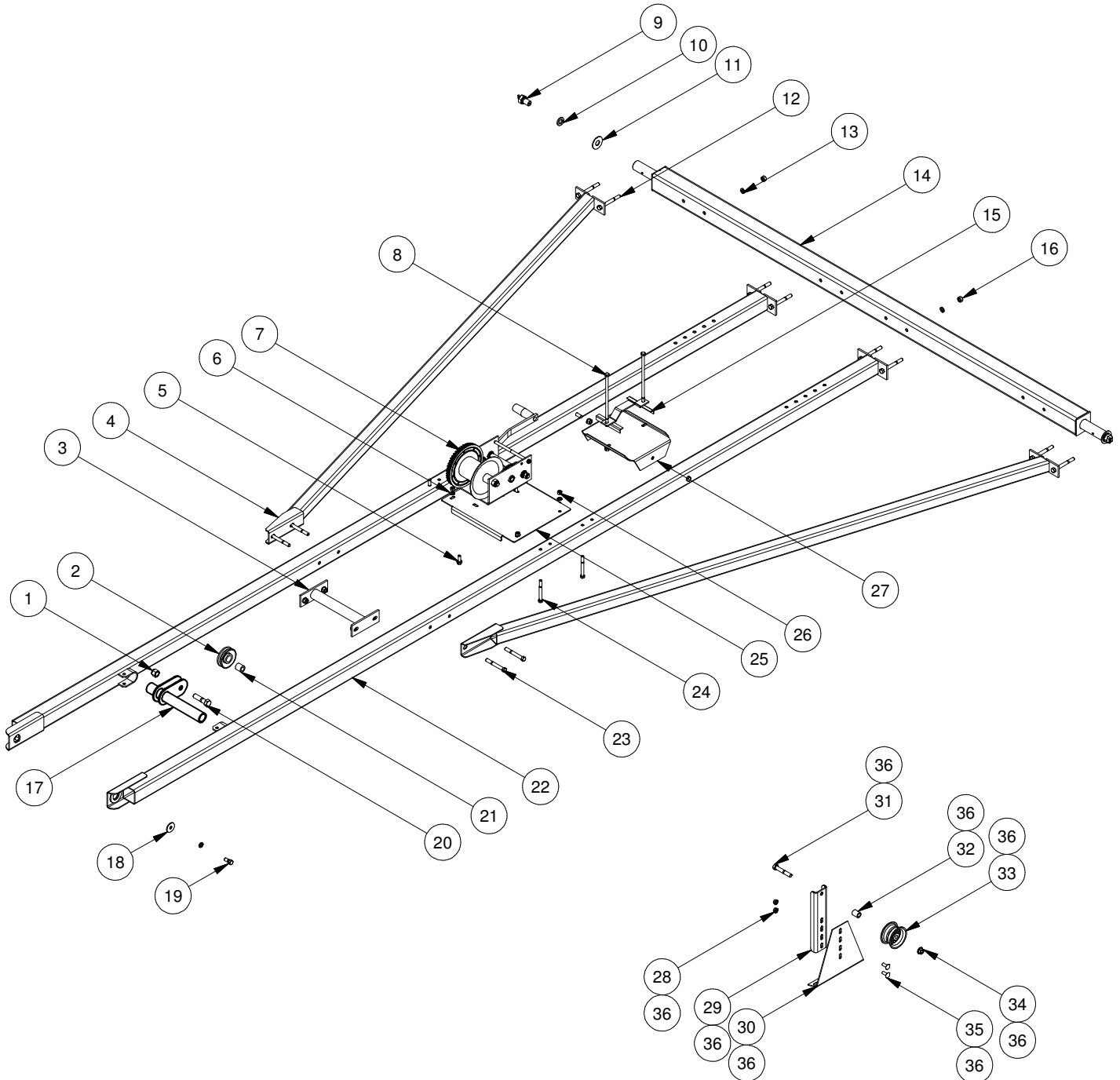
PARTS

# MAIN FRAME - HD8-46



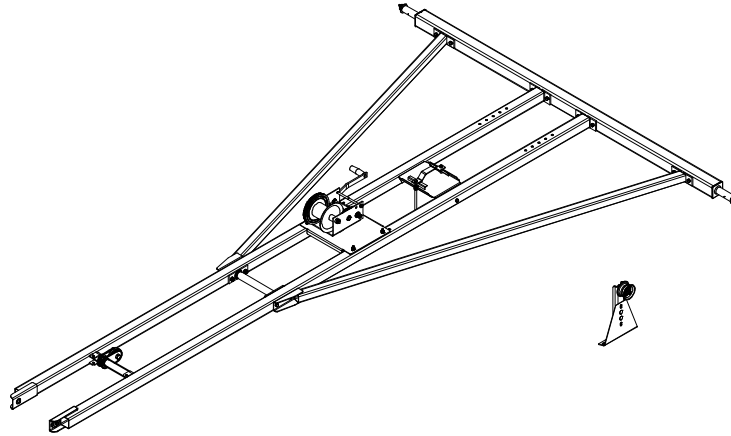
HD8-46			
REF #	PART #	QUANTITY	DESCRIPTION
1	13-0729-00010	1	Nylon Locknut 5/8-11
2	13000001381-00	1	Cable Roller Bushing
3	13000002356-00	2	Frame Main
4	13-0712-06016	3	Flange Lock Bolt 3/8 x 1-16
5	13-0725-00006	6	Hex Nut 3/8 - 16
6	13000001681-00	1	K-2550 Fulton Winch
7	13-0702-06144	2	Hex Cap Screw 3/8 x 9-16
8	13000001924-00	1	Battery Top Mount
9	13000001926-00	2	Zerk Bolt Assembly
10	13-0734-00012	2	Spring Lock Washer 3/4
11	19395	2	Flat Washer 3/4
12	13000002372-00	2	Axle Brace Assembly
13	13000002023-00	1	Axle
14	13-0702-07064	8	Hex Cap Screw 7/16 x 4-14
15	13000002018-00	1	Cross Brace
16	13-0725-00007	14	Hex Nut 7/16
17	13000003117-00	2	Flat Washer - 7/16"
18	13-0734-00007	16	Spring Lock Washer 7/16
19	13-0702-07016	2	Hex Cap Screw 7/16 x 1-14
20	13000001380-03	1	Cable Roller Bracket
21	13-0702-10040	1	Hex Cap Screw 5/8 x 2-1/2-11
22	13000001017-00	1	Cable Roller
23	13-0702-06056	4	Hex Cap Screw 3/8 x 3-1/2-16
24	13000001378-00	1	Winch Base Plate
25	13-0734-00006	6	Spring Lock Washer 3/8
26	13000001922-00	1	Mount Battery
27	13-0702-07056	6	Hex Cap Screw 7/16 x 3-1/2-14
28	13-0731-00006	5	Flange Lock Nut 3/8-16
29	13000003360-00	1	Bracket Channel
30	13000001383-00	1	Belt Idler Brace
31	13-0709-06016	2	Carriage Bolt 3/8 x 1-16
32	13-0731-00008	1	Flange Lock Nut 1/2-13
33	13000002441-00	1	Belt Idler
34	13000002440-00	1	Bushing
35	13-0702-08048	1	Hex Cap Screw 1/2 x 3 -13
36	13000002868-00	1	Belt Idler Kit

# MAIN FRAME - HD8-53



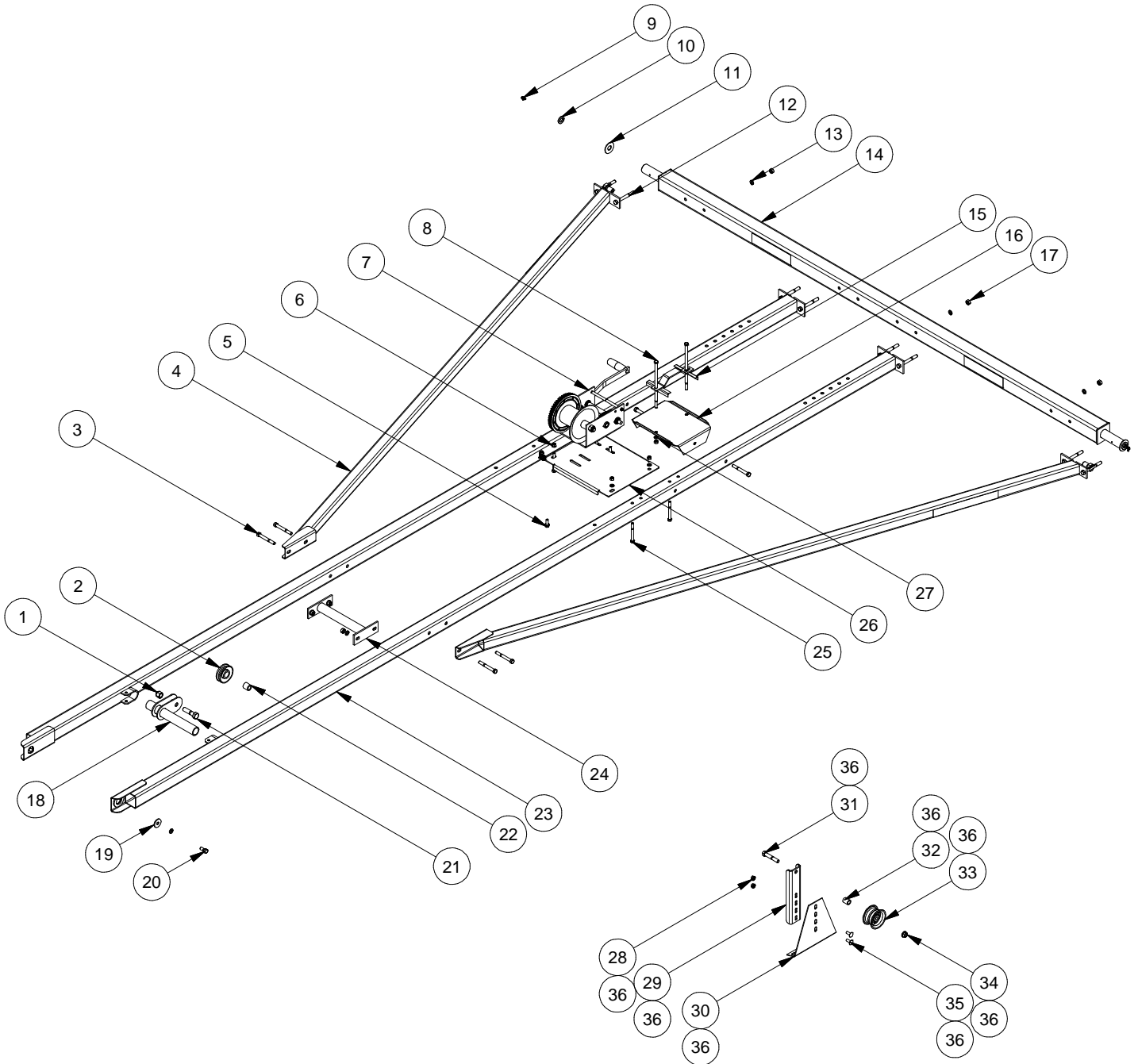
PARTS

# MAIN FRAME - HD8-53



HD8-53			
REF #	PART #	QUANTITY	DESCRIPTION
1	13-0729-00010	1	Nylon Lock Nut 5/8"-11 UNC
2	13000001017-00	1	Cable Roller
3	13000002018-00	1	Cross Brace
4	13000002373-00	2	Brace
5	13-0712-06016	3	Flange Bolt 3/8-16 UNC x 1
6	13-0734-00006	6	Spring Lock Washer 3/8"
7	13000001681-00	1	K-2550 Fulton Winch
8	13-0702-06144	2	Bolt 3/8-16 UNC - 9
9	13000001926-00	2	Zerk Bolt Assembly
10	13-0734-00012	2	Spring Lock Washer 3/4"
11	13-0735-00012	2	Flat Washer 3/4"
12	13-0702-07064	8	Bolt 7/16-14 UNC - 4
13	13-0734-00007	16	Spring lock Washer 7/16"
14	13000002024-00	1	Axle
15	13000001924-00	1	Battery Top Mount
16	13-0725-00007	14	Hex Nut 7/16"
17	13000001380-03	1	Cable Roller Bracket
18	13000003117-00	2	Flat Washer - 7/16"
19	13-0702-07016	2	Bolt 7/16-14 UNC - 1
20	13-0702-10040	1	Bolt 5/8" - 11 UNC x 2 1/2"
21	13000001381-00	1	Cable Roller Bushing
22	13000002357-00	2	Frame Main
23	13-0702-07056	6	Bolt 7/16-14 UNC - 3.5
24	13-0702-06056	4	Bolt 3/8-16 UNC - 3.5
25	13000001378-00	1	Winch Base Plate
26	13-0725-00006	6	Hex Nut 3/8"
27	13000001922-00	1	Mount Battery
28	13-0731-00006	5	Flange Nut 3/8-16 UNC
29	13000003360-00	1	Bracket Channel
30	13000001383-00	1	Belt Idler Brace
31	13-0702-08048	1	Bolt 1/2-13 UNC - 3
32	13000002440-00	1	Bushing
33	13000002441-00	1	Belt Idler
34	13-0731-00008	1	Flange Nut 1/2-13 UNC
35	13-0709-06016	2	Carriage Bolt 3/8-16 UNC - 1
36	13000002868-00	1	Belt Idler Kit

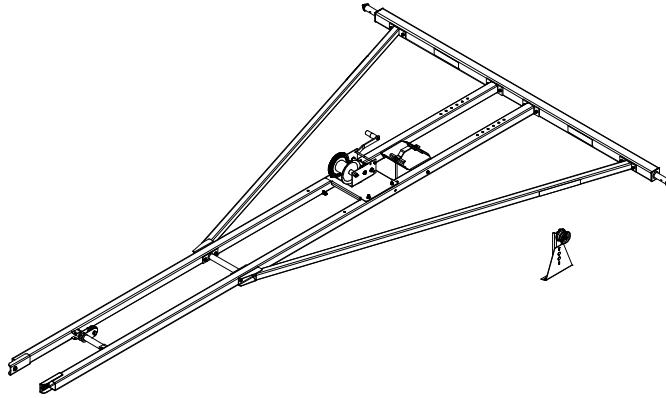
# MAIN FRAME - HD8-59





PARTS

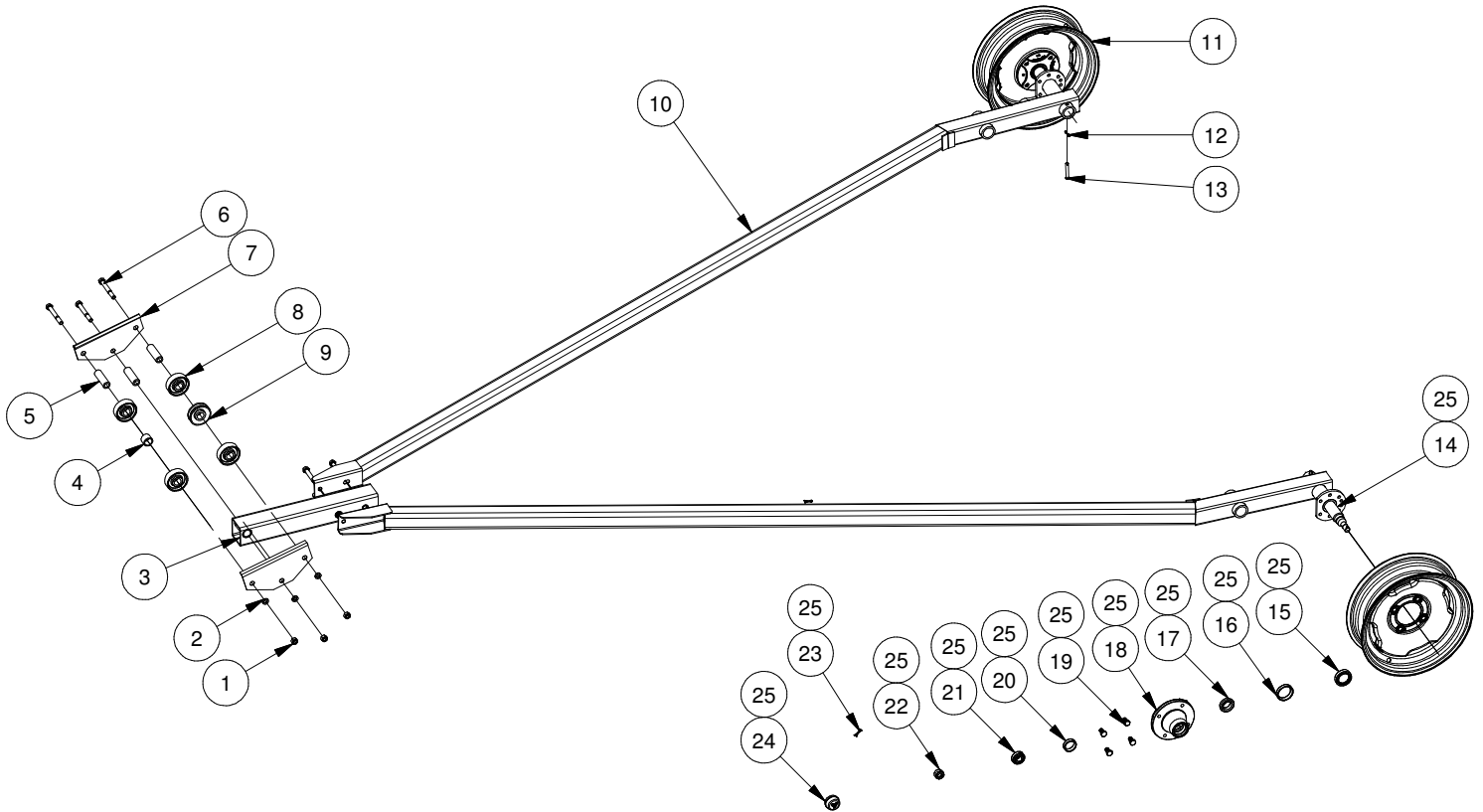
# MAIN FRAME - HD8-59



HD8-59			
REF #	PART #	QUANTITY	DESCRIPTION
1	13-0729-00010	1	Nylon Lock Nut 5/8"-11 UNC
2	13000001017-00	1	Cable Roller
3	13-0702-07056	6	Bolt 7/16-14 UNC - 3.5
4	13000002028-00	2	Brace
5	13-0712-06016	3	Flange Bolt 3/8-16 UNC x 1
6	13-0725-00006	6	Hex Nut 3/8"-16 UNC
7	13000001681-00	1	K-2550 Fulton Winch
8	13-0702-06144	2	Bolt 3/8-16 UNC - 9
9	13000001926-00	2	Zerk Bolt Assembly
10	13-0734-00012	2	Spring Lock Washer 3/4"
11	13-0735-00012	2	Flat Washer 3/4"
12	13-0702-07064	8	Bolt 7/16-14 UNC - 4
13	13-0734-00007	16	Spring Lock Washer 7/16"
14	13000002025-00	1	Axle
15	13000001924-00	1	Battery Top Mount
16	13000001922-00	1	Mount Battery
17	13-0725-00007	14	7/16" HEX NUT
18	13000001380-03	1	Cable Roller Bracket
19	13000003117-00	2	Flat Washer - 7/16"
20	13-0702-07016	2	Bolt 7/16-14 UNC - 1
21	13-0702-10040	1	Bolt 5/8"-11 UNC x 2 1/2"
22	13000001381-00	1	Cable Roller Bushing
23	13000002358-00	2	Frame Main
24	13000002018-00	1	Cross Brace
25	13-0702-06056	4	Bolt 3/8-16 UNC - 3.5
26	13000001378-00	1	Winch Base Plate
27	13-0734-00006	6	Spring Lock Washer 3/8"
28	13-0731-00006	5	Flange Nut 3/8-16 UNC
29	13000003360-00	1	Bracket Channel
30	13000001383-00	1	Belt Idler Brace
31	13-0702-08048	1	Bolt 1/2-13 UNC - 3
32	13000002440-00	1	Bushing
33	13000002441-00	1	Belt Idler
34	13-0731-00008	1	Flange Nut 1/2-13 UNC
35	13-0709-06016	2	Carriage Bolt 3/8-16 UNC - 1
36	13000002868-00	1	Belt Idler Kit

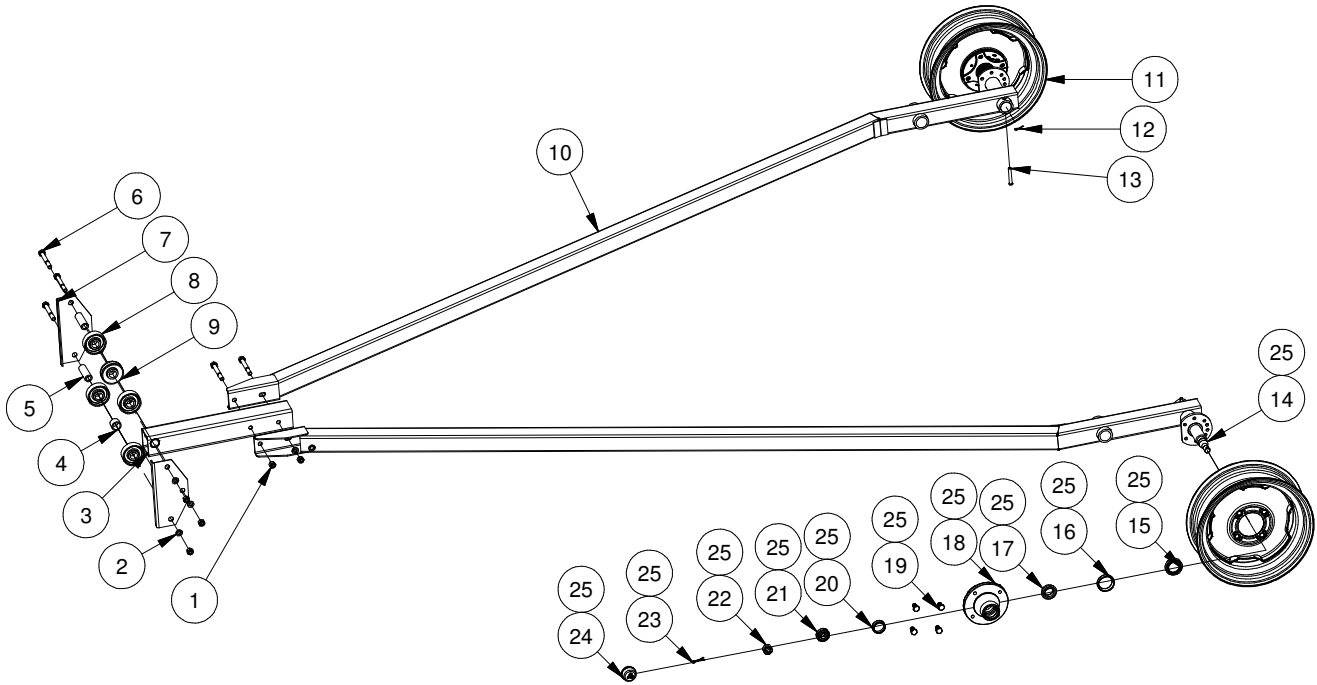
PARTS

# A-FRAME - HD8-33



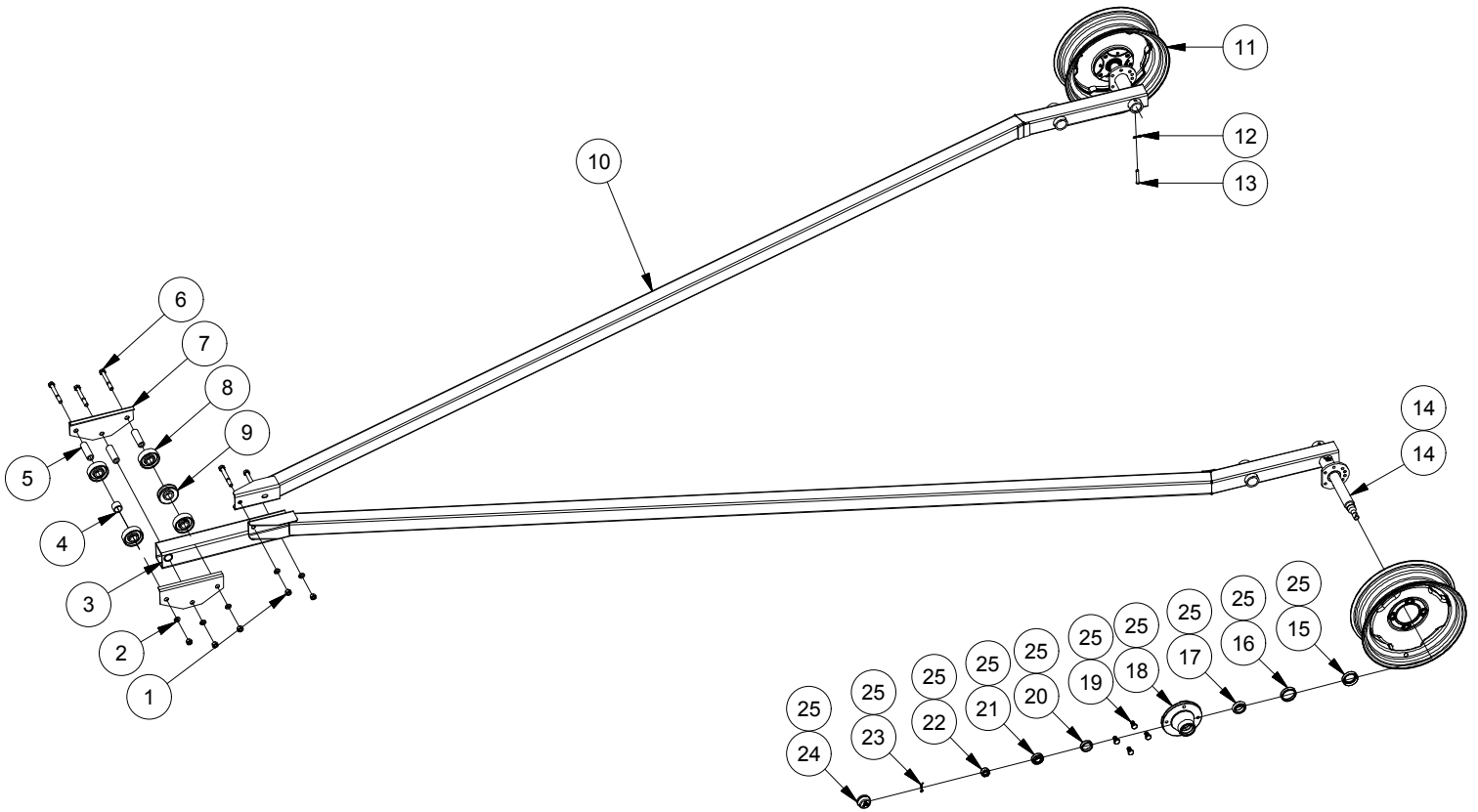
HD8			
REF #	PART #	QUANTITY	DESCRIPTION
1	13-0725-00008	5	Hex Nut 1/2 -13
2	13-0734-00008	5	Lock Washer - 1/2"
3	13000005026-00	1	Goose Neck
4	13000001365-00	1	Track Roller Spacer
5	13000001364-00	3	Trolley Bushing
6	13-0702-08064	5	Hex Cap Screw 1/2 x 4 -13
7	13000001366-00	2	Trolley Guide
8	13000001016-00	4	Track Roller
9	13000001017-00	1	Cable Roller - Main Frame Assembly
10	13000005223-00	2	Frame A
11	13000001223-00	2	15" Wheel
12	13-0737-04032	2	Cotter Pin - 1/8 x 1
13	13000001387-00	2	Clevis Pin - 3/8 x 2-3/8
14	13000001670-00	2	Spindle - 1-1/2 x 13"
15	13000001004-00	2	Grease Seal
16	13000001006-00	2	Bearing Tapered Roller (Cup)
17	13000001005-00	2	Tapered Roller Bearing Cone (Outer)
18	13000001007-00	2	Hub
19	13000001012-00	8	1/2" x 7/8" Wheel Stud
20	13000001008-00	2	Bearing Tapered Roller (Cup)
21	13000001009-00	2	Bearing Tapered Roller Cone - 3/4"
22	13000001010-00	2	Nut UNF Hex - 3/4"
23	13-0737-05040	2	Cotter Pin - 5/32 x 1-1/4"
24	13000001011-00	2	Dust Cap
25	13000002553-00	2	Complete Hub c/w Spindle & Bearings

# A-FRAME - HD8-39



HD8			
REF #	PART #	QUANTITY	DESCRIPTION
1	13-0725-00008	5	Hex Nut 1/2 - 13
2	13-0734-00008	5	Lock Washer - 1/2"
3	13000005026-00	1	Goose Neck
4	13000001365-00	1	Track Roller Spacer
5	13000001364-00	3	Trolley Bushing
6	13-0702-08064	5	Hex Cap Screw 1/2 x 4-13
7	13000001366-00	2	Trolley Guide
8	13000001016-00	4	Track Roller
9	13000001017-00	1	Cable Roller - Main Frame Assembly
10	13000005222-00	2	Frame A
11	13000001223-00	2	15" Wheel
12	13-0737-04032	1	Cotter Pin - 1/2 x 1
13	13000001387-00	2	Clevis Pin - 3/8 x 2-3/8
14	13000001670-00	2	Spindle - 1-1/2 x 13"
15	13000001004-00	2	Grease Seal
16	13000001006-00	2	Bearing Tapered Roller (Cup)
17	13000001005-00	2	Tapered Roller Bearing Cone (Outer)
18	13000001007-00	2	Hub
19	13000001012-00	8	1/2" x 7/8" Wheel Stud
20	13000001008-00	2	Bearing Tapered Roller (Cup)
21	13000001009-00	2	Bearing Tapered Roller Cone -3/4"
22	13000001010-00	2	Nut UNF Hex - 3/4"
23	13-0737-05040	1	Cotter Pin - 5/32 x 1-1/4"
24	13000001011-00	2	Dust Cap
25	13000002553-00	2	Complete Hub c/w Spindle & Bearings

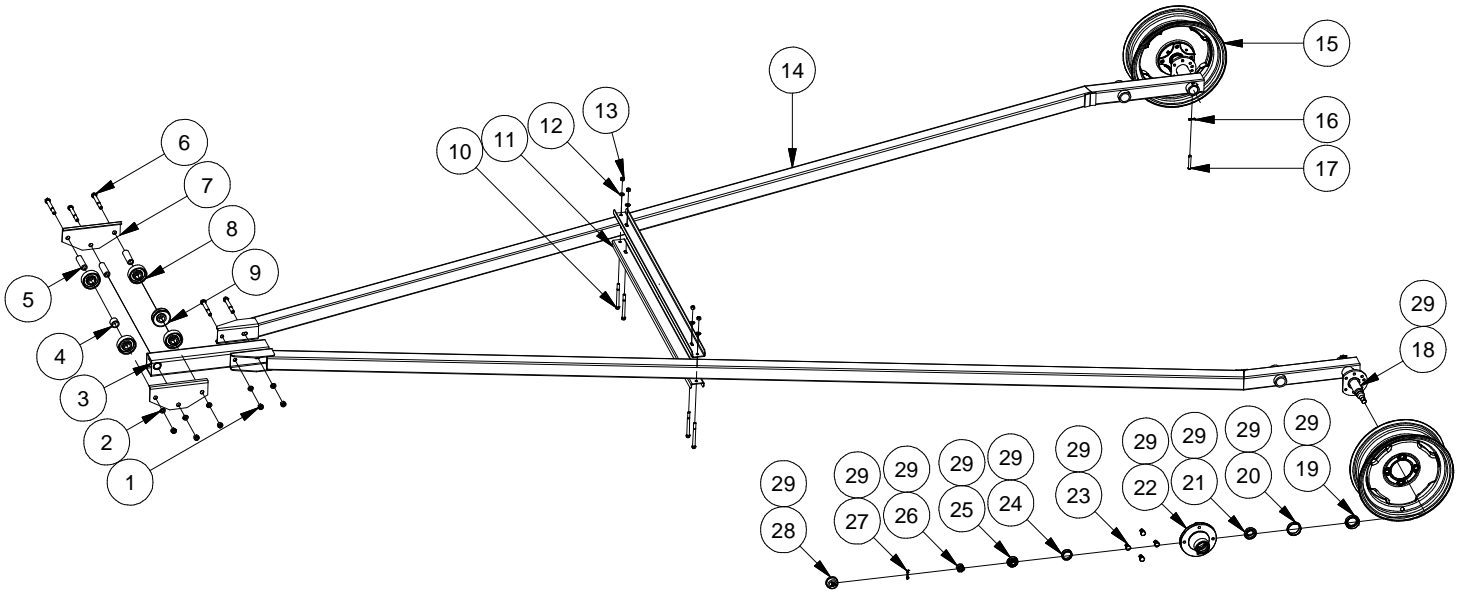
# A-FRAME - HD8-46



HD8			
REF #	PART #	QUANTITY	DESCRIPTION
1	13-0725-00008	5	Hex Nut 1/2 -13
2	13-0734-00008	5	Lock Washer - 1/2"
3	13000005026-00	1	Goose Neck
4	13000001365-00	1	Track Roller Spacer
5	13000001364-00	3	Trolley Bushing
6	13-0702-08064	5	Hex Cap Screw 1/2 x 4-13
7	13000001366-00	2	Trolley Guide
8	13000001016-00	4	Track Roller
9	13000001017-00	1	Cable Roller - Main Frame Assembly
10	13000005224-00	2	Paint - Frame A
11	13000001223-00	2	15" Wheel
12	13-0737-04032	2	Cotter Pin - 1/2 x 1
13	13000001387-00	2	Clevis Pin - 3/8 x 2-3/8
14	13000001670-00	2	Spindle - 1-1/2 x 13"
15	13000001004-00	2	Grease Seal
16	13000001006-00	2	Bearing Tapered Roller (Cup)
17	13000001005-00	2	Tapered Roller Bearing Cone (Outer)
18	13000001007-00	2	Hub
19	13000001012-00	8	1/2" x 7/8" Wheel Stud
20	13000001008-00	2	Bearing Tapered Roller (Cup)
21	13000001009-00	2	Bearing Tapered Roller Cone - 3/4"
22	13000001010-00	2	Nut UNF Hex - 3/4"
23	13-0737-05040	2	Cotter Pin - 5/32 x 1-1/4"
24	13000001011-00	2	Dust Cap
25	13000002553-00	2	Complete Hub c/w Spindle & Bearings

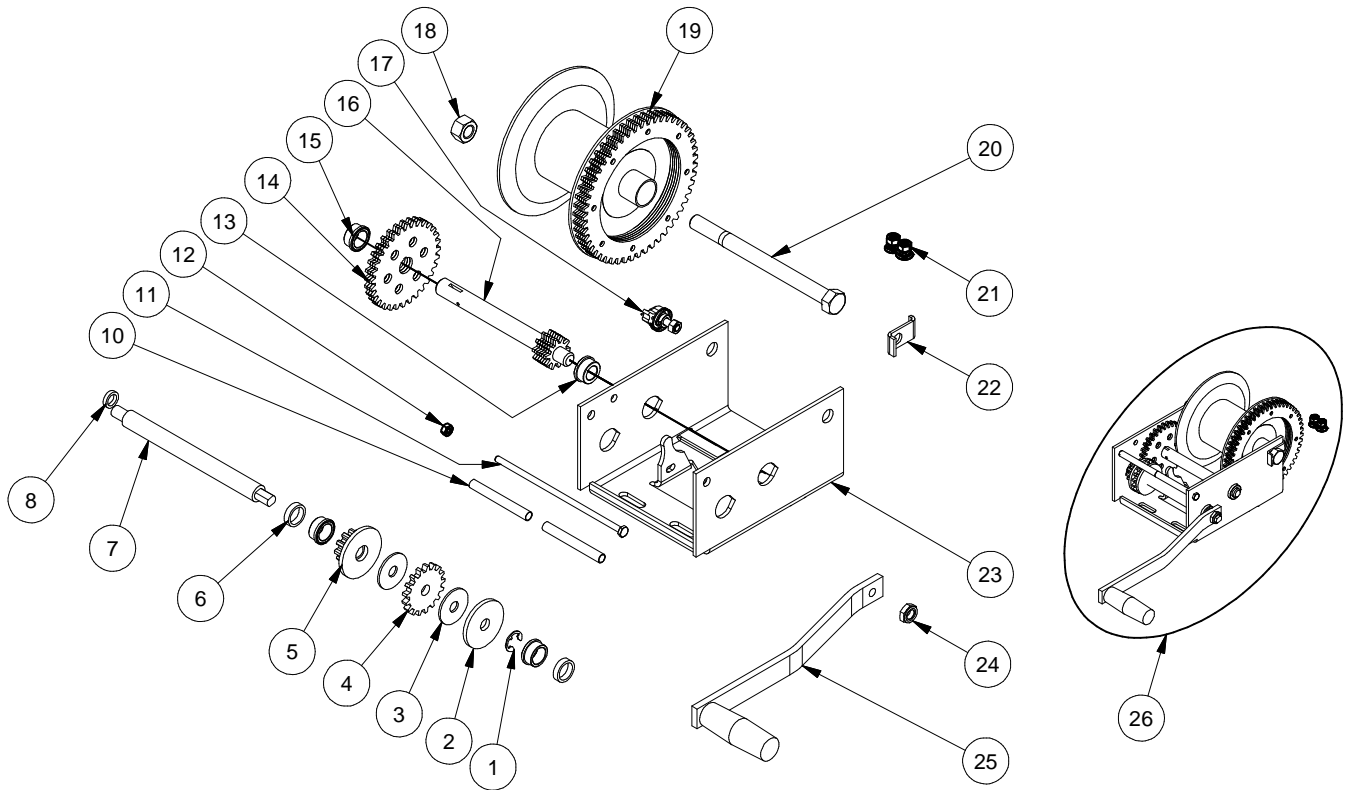
PARTS

# A-FRAME - HD8-53



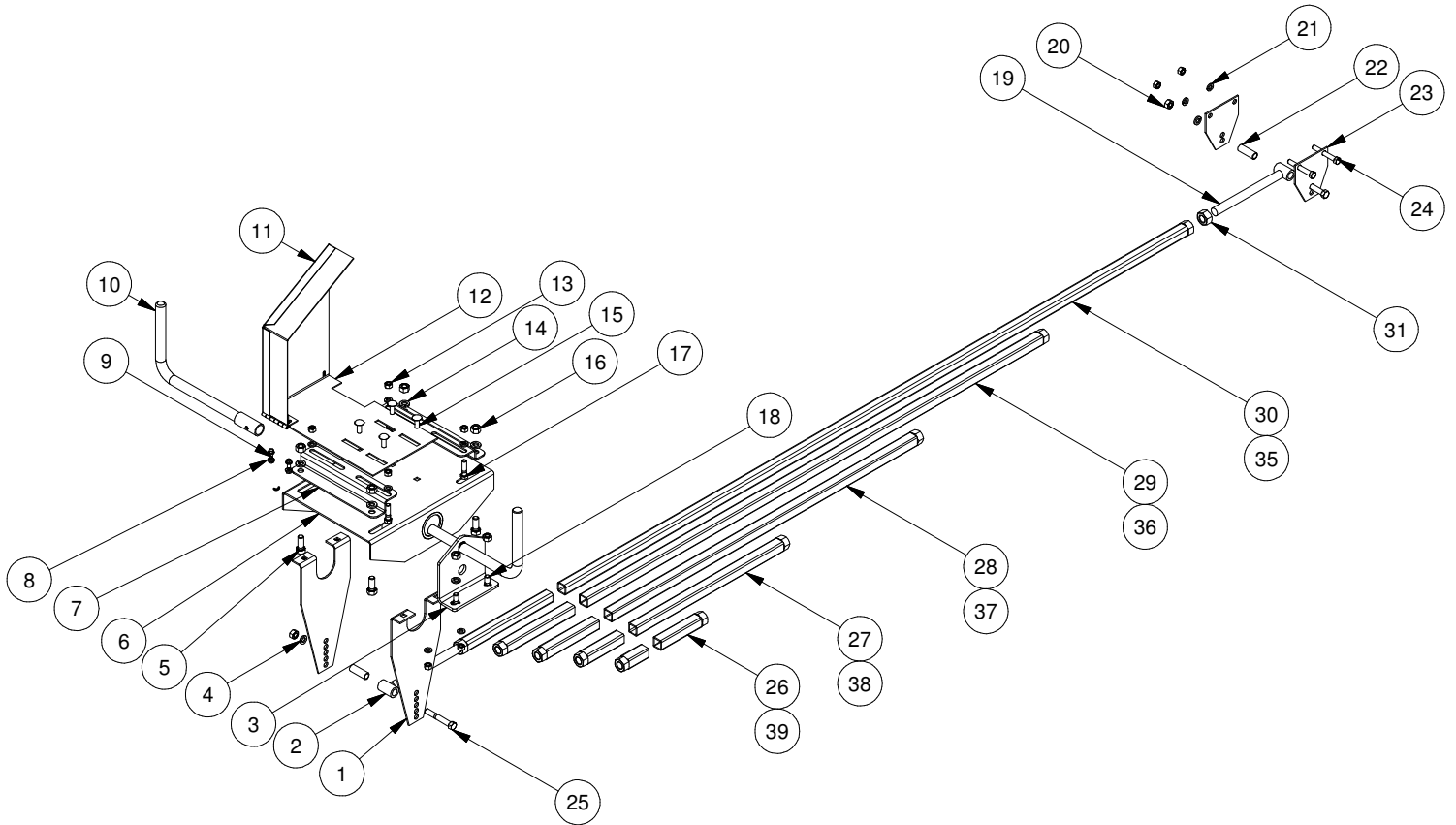
HD8			
REF #	PART #	QUANTITY	DESCRIPTION
1	13-0725-00008	5	Hex Nut 1/2 - 13
2	13-0734-00008	5	Lock Washer - 1/2"
3	13000005026-00	1	Goose Neck
4	13000001365-00	1	Spacer - Track Roller
5	13000001364-00	3	Trolley Bushing
6	13-0702-08064	5	Hex Cap Screw 1/2 x 4-13
7	13000001366-00	2	Trolley Guide
8	13000001016-00	4	Track Roller
9	13000001017-00	1	Cable Roller - Main Frame Assembly
10	13-0702-06072	4	Hex Cap Screw 3/8 x 4-1/2 -16
11	13000001367-00	2	Cross Brace
12	13-0736-00006	4	Flat SAE Washer 3/8
13	13-0725-00006	4	Hex Nut 3/8-16
14	13000005225-00	2	Paint - Frame A
15	13000001223-00	2	15" Wheel
16	13-0737-04032	2	Cotter Pin - 1/2 x 1
17	13000001387-00	2	Clevis Pin - 3/8 x 2-3/8
18	13000001670-00	2	Spindle - 1-1/2 x 13"
19	13000001004-00	2	Grease Seal
20	13000001006-00	2	Bearing Tapered Roller (Cup)
21	13000001005-00	2	Tapered Roller Bearing Cone (Outer)
22	13000001007-00	2	Hub
23	13000001012-00	8	1/2" x 7/8" Wheel Stud
24	13000001008-00	2	Bearing Tapered Roller (Cup)
25	13000001009-00	2	Bearing Tapered Roller Cone - 3/4"
26	13000001010-00	2	Nut UNF Hex - 3/4"
27	13-0737-05040	2	Cotter Pin - 5/32 x 1-1/4"
28	13000001011-00	2	Dust Cap
29	13000002553-00	2	Complete Hub c/w Spindle & Bearings

# FULTON K 2550 BRAKE WINCH



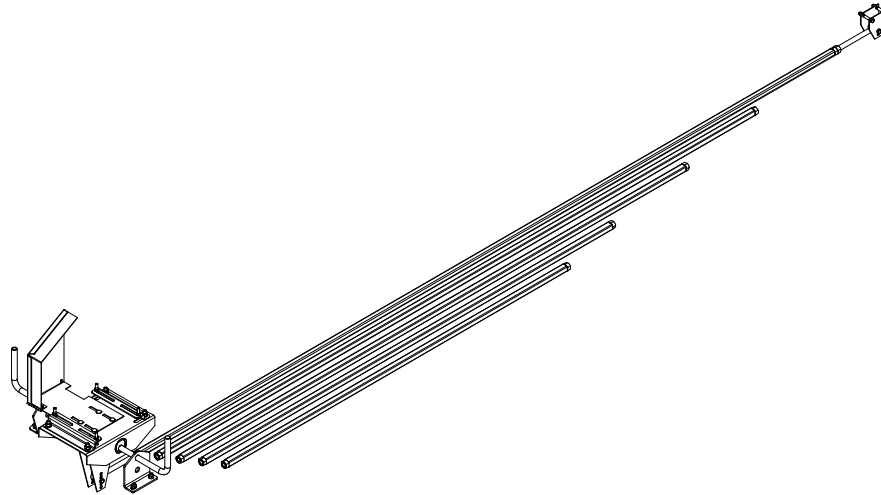
HD8			
REF #	PART #	QUANTITY	DESCRIPTION
1	-	1	E-Clip
2	13000003142-00	1	Shaft Brake Disc
3	13000001948-00	2	Friction Disc
4	13000001946-00	1	Ratchet Gear
5	13000001947-00	1	Pinion & Disc
6	-	2	Output Washer
7	13000002948-00	1	Input Shaft
8	-	1	Washer
10	-	2	Frame Spacer (Not Available to Order)
11	-	1	Frame Spacer Bolt
12	13-0725-00004	1	Hex Nuts (Inch Series) Hex Nut
13	13000001939-00	1	Bushing
14	-	1	Gear
15	13000001937-00	3	Bushing
16	13000001944-00	1	Output Shaft
17	13000001712-00	1	Pawl and Spring Kit
18	-	1	Drum Lock Nut
19	-	1	Drum Assembly C/W Spacer
20	-	1	Drum Bolt
21	13000001672-00	1	Cable Clamp
22	-	1	Keeper (Not Available to Order)
23	-	1	Frame (Not Available to Order)
24	-	1	Handle Lock Nut
25	13000001711-00	1	Handle
26	13000001681-00	-	Complete Winch Assembly

# MOTOR MOUNT ASSEMBLY



PARTS

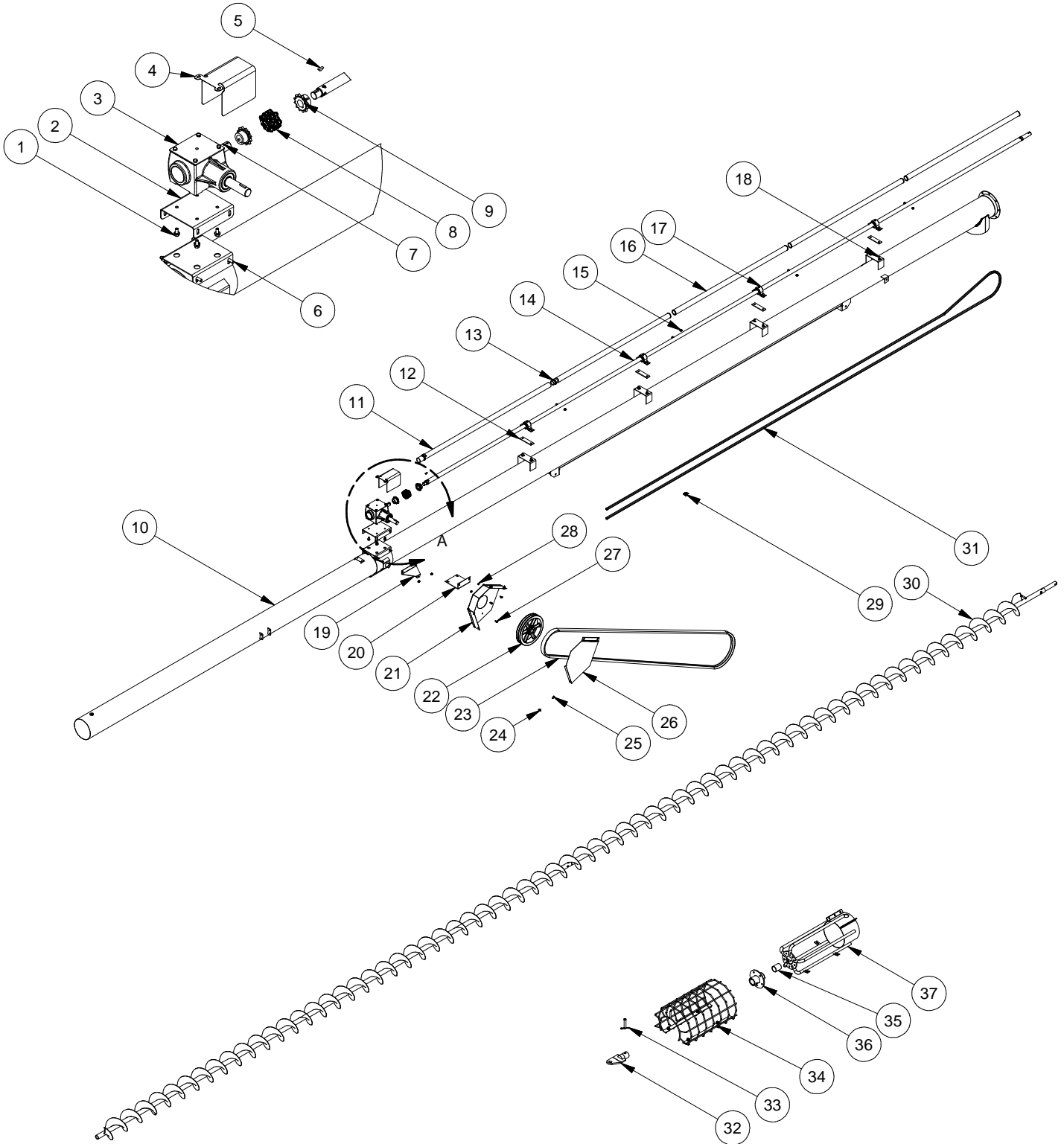
# MOTOR MOUNT ASSEMBLY



HD8			
REF #	PART #	QUANTITY	DESCRIPTION
1	13000001101-00	2	Lower Leveling Bar Bracket
2	13000001107-00	1	Screw Leveling Bar Adjustable - LH
3	13000001449-00	2	Pivot Bracket
4	13-0734-00007	6	Spring Lock Washer 7/16"
5	13-0702-08020	4	Hex Cap Screw 1/2-13 UNC - 1.25
6	13000001210-00	1	Mount Motor
7	13000002605-00	2	Bracket
8	13-0731-00004	2	Flange Nut 1/4-20 UNC
9	13-0712-04008	2	Flange Bolt 1/4-20 UNC x 0.5
10	13000002964-00	1	Extension Handle
11	13000001929-00	1	Guard Pulley Engine
12	13000001949-00	1	Pulley Guard Base
13	13-0725-00006	10	Hex Nut 3/8"
14	13-0734-00008	4	Spring Lock Washers 1/2"
15	13-0709-06016	4	Carriage Bolt 3/8-16 UNC - 1
16	13-0725-00008	4	Hex Nut 1/2"
17	13-0702-06024	4	Hex Cap Screw 3/8-16 UNC - 1.5
18	13-0702-07016	4	Hex Cap Screw 7/16-14 UNC - 1
19	13000001114-00	1	Upper Leveling Bar
20	13-0725-00007	6	Hex Nut 7/16"
21	13-0734-00006	10	Spring Lock Washer 3/8"
22	13000001106-00	2	Leveling Bar Bushing
23	13000001115-00	2	Upper Leveling Bar Bracket
24	13-0702-06044	2	Hex Cap Screw 3/8-16 UNC - 2.75
25	13-0702-07048	2	Hex Cap Screw 7/16-14 UNC - 3
26	13000002439-00	1	Leveling Bar
27	13000001450-00	1	Leveling Bar
28	13000001451-00	1	Leveling Bar
29	13000001452-00	1	Leveling Bar
30	13000001453-00	1	Leveling Bar
31	13-0725-00012	2	Hex Nut 3/4"
35	13180018000	1	Leveling Bar Assembly - 59
36	13140014000	1	Leveling Bar Assembly - 46
37	13160016000	1	Leveling Bar Assembly - 53
38	13120012001	1	Leveling Bar Assembly - 39
39	13100010000	1	Leveling Bar Assembly - 33

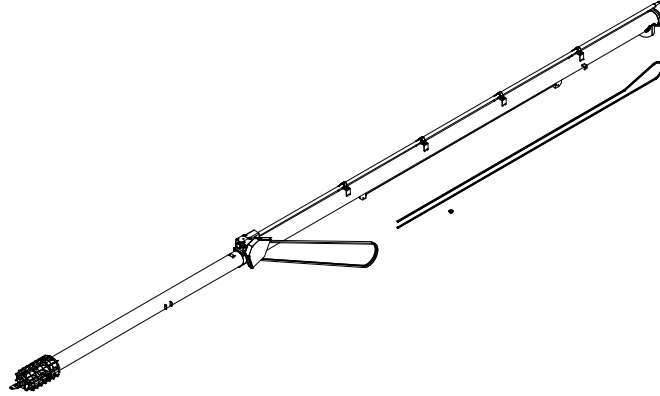


# TUBE ASSEMBLY - HD8-39



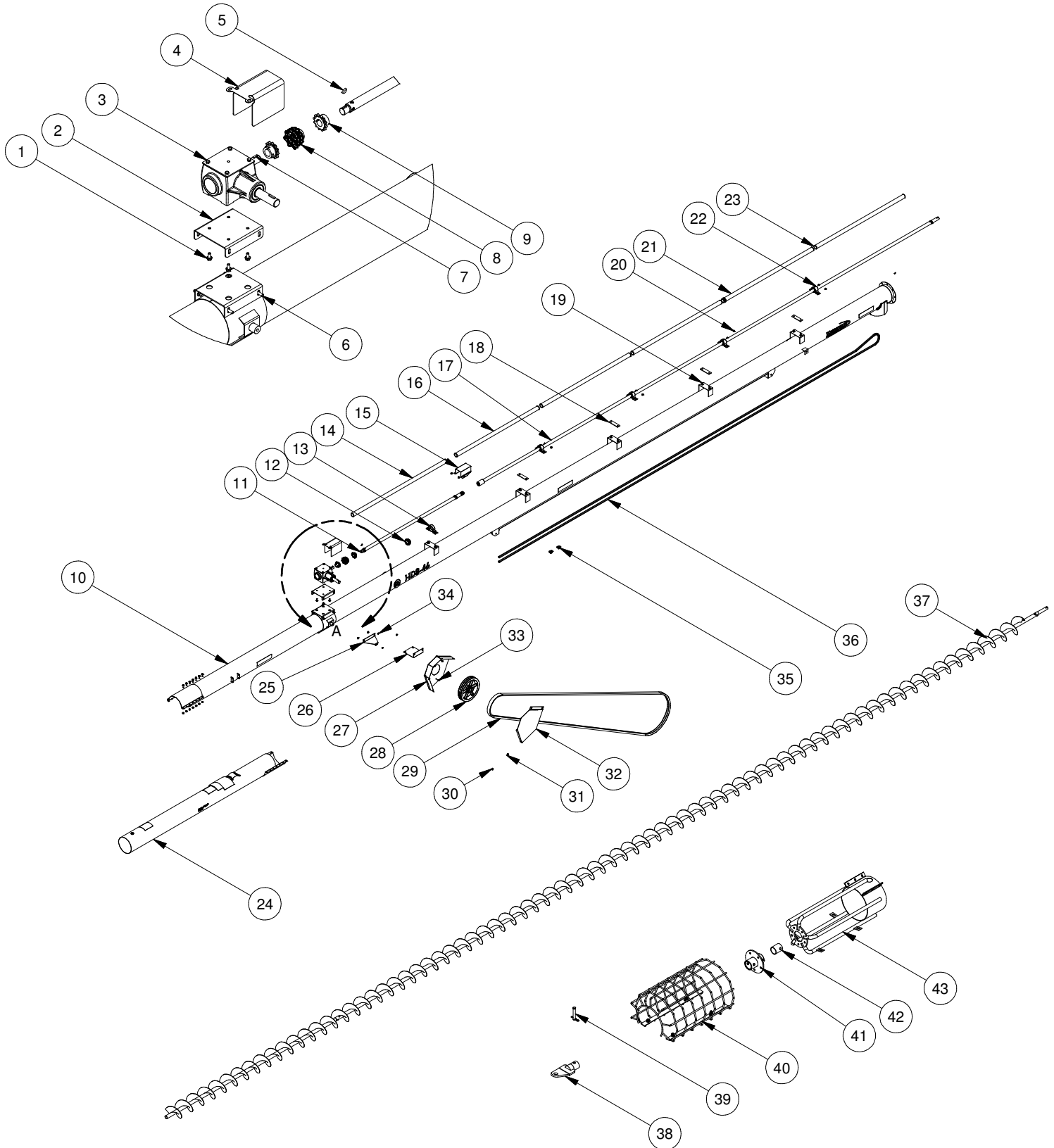
PARTS

# TUBE ASSEMBLY - HD8-39



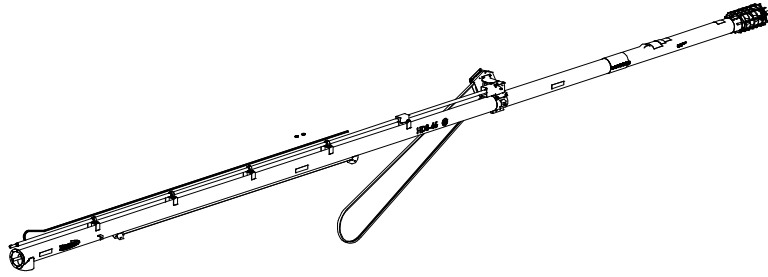
HD8-39			
REF #	PART #	QUANTITY	DESCRIPTION
1	13-0712-06012	4	Flange Bolt 3/8-16 UNC x 0.75
2	13000001404-00	1	Gear Box Mounting Plate
3	13000001403-00	1	Gear Box
4	13000001335-00	1	Guard Gear Box Shaft
5	13-0740-00807	2	Woodruff Key 1/4" x 7/8"
6	13-0712-06016	4	Flange Bolt 3/8-16 UNC x 1
7	13-0740-00808	1	Woodruff key 1/4" x 1"
8	13000001045-00	1	Coupler Chain
9	13000001044-00	2	Coupler Sprocket
10	13000004116-00	1	Weldment - Tube
11	13000002467-01	1	Guard Drive Shaft
12	13000003535-00	4	Shim
13	13000001441-00	10	Drive Shaft Guard Bushing
14	13000001412-00	1	Drive Shaft
15	13-0731-00006	16	3/8-16 UNC Flange Nut
16	13000001436-00	4	D.S. Guard ( B.Section) - HD8, TL10
17	13000001411-00	4	Split Pillow Block c/w Housing
18	13-0709-06016	12	Carriage Bolt 3/8-16 UNC - 1
19	13000001429-00	1	Lower Pulley Bracket
20	13000001427-00	1	Upper Pulley Bracket
21	13000001339-00	1	PTO Guard - Back
22	13000001195-00	1	Double Groove Sheave - 1 1/4" Bore
23	13000001072-02	1	Belt - B-225 Banded Double
24	13-0732-00004	1	Wing Nut 1/4"
25	13-0709-04012	3	Carriage Bolt - 1/4" x 3/4" UNC
26	13000001340-00	1	Pulley Guard Cover
27	13-0712-04010	3	Flange Bolt 1/4-20 UNC x 0.625
28	13-0731-00004	5	Flange Nut - 1/4-20 UNC
29	13000001060-00	1	1/4" Galv. Cable Clamp
30	13000001393-00	1	Flight
31	13000001423-00	1	Lift Cable
32	13000001401-00	1	Hitch
33	13000001402-00	1	Pin & Clip
34	13000001400-00	1	Guard
35	13000001398-00	1	Intake Fork Bushing
36	13000005198-00	1	Bushing Housing
37	13000005197-00	1	Fork Intake

# TUBE ASSEMBLY - HD8-46



PARTS

# TUBE ASSEMBLY - HD8-46



HD8-46			
REF #	PART #	QUANTITY	DESCRIPTION
1	13-0712-06012	4	Flange Bolt 3/8-16 UNC x 0.75
2	13000001404-00	1	Gear Box Mounting Plate
3	13000001403-00	1	Gear Box
4	13000001335-00	1	Guard Gear Box Shaft
5	13-0740-00807	2	Woodruff Key 1/4" x 7/8"
6	13-0712-06016	18	3/8-16 UNC x 1 Flange Bolt
7	13-0740-00808	1	Woodruff Key 1/4" x 1"
8	13000001045-00	1	Coupler Chain
9	13000001044-00	2	Coupler Sprocket
10	13000003622-00	1	Tube Top
11	13000001414-00	1	Drive Shaft Bottom
12	13000001409-00	1	Bearing
13	13000001410-00	1	Split Bearing Housing
14	13000002469-00	1	D.S. Guard Bottom Section
15	13000001704-00	1	Drive Shaft Bearing Guard
16	13000002468-00	1	D.S. Guard Middle Section
17	13000001413-00	1	Drive Shaft Top
18	13000003535-00	4	Shim
19	13-0709-06016	14	Carriage Bolt 3/8-16 UNC - 1
20	13-0731-00006	32	Flange Nut 3/8-16 UNC
21	13000001436-00	4	D.S. Guard Top Section
22	13000001411-00	4	Split Pillow Block c/w Housing
23	13000001441-00	12	Drive Shaft Guard Bushing
24	13000003623-00	1	Tube Bottom
25	13000001429-00	1	Lower Pulley Bracket
26	13000001427-00	1	Upper Pulley Bracket
27	13000001339-00	1	PTO Guard - Back
28	13000001195-00	1	Double Groove Sheave - 1 1/4" Bore
29	13000001133-02	1	Belt - B-270 Banded Double
30	13-0732-00004	1	Wing Nut
31	13-0709-04012	3	Carriage Bolt 1/4 x 3/4-20
32	13000001340-00	1	Pulley Guard Cover
33	13-0712-04010	3	Flange Bolt 1/4-20 UNC x 0.625
34	13-0731-00004	5	Flange Nut 1/4-20 UNC
35	13000001060-00	2	1/4" Galv. Cable Clamp
36	13000001424-00	1	Lift Cable
37	13000003624-00	1	Flight Domestic
38	13000001401-00	1	Hitch
39	13000001402-00	1	Pin & Clip
40	13000001400-00	1	Guard
41	13000005198-00	1	Bushing Housing
42	13000001398-00	1	Intake Fork Bushing
43	13000005197-00	1	Fork Intake

# TUBE ASSEMBLY - HD8-53

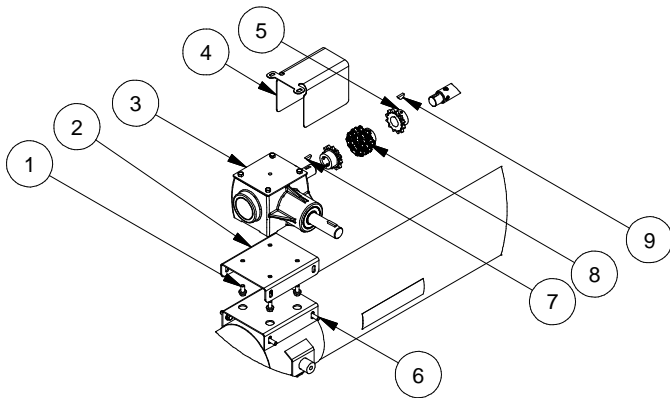


FIGURE A

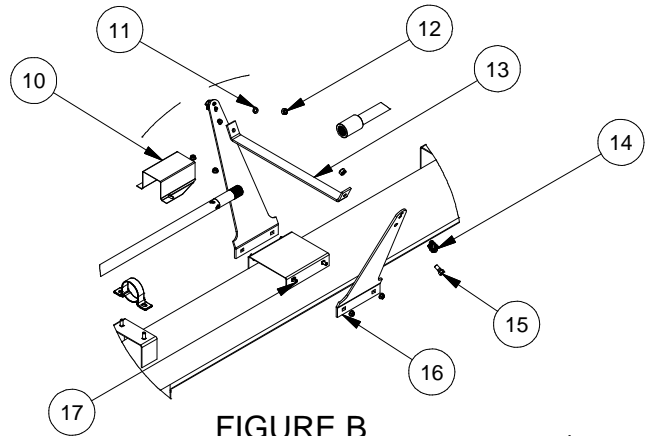
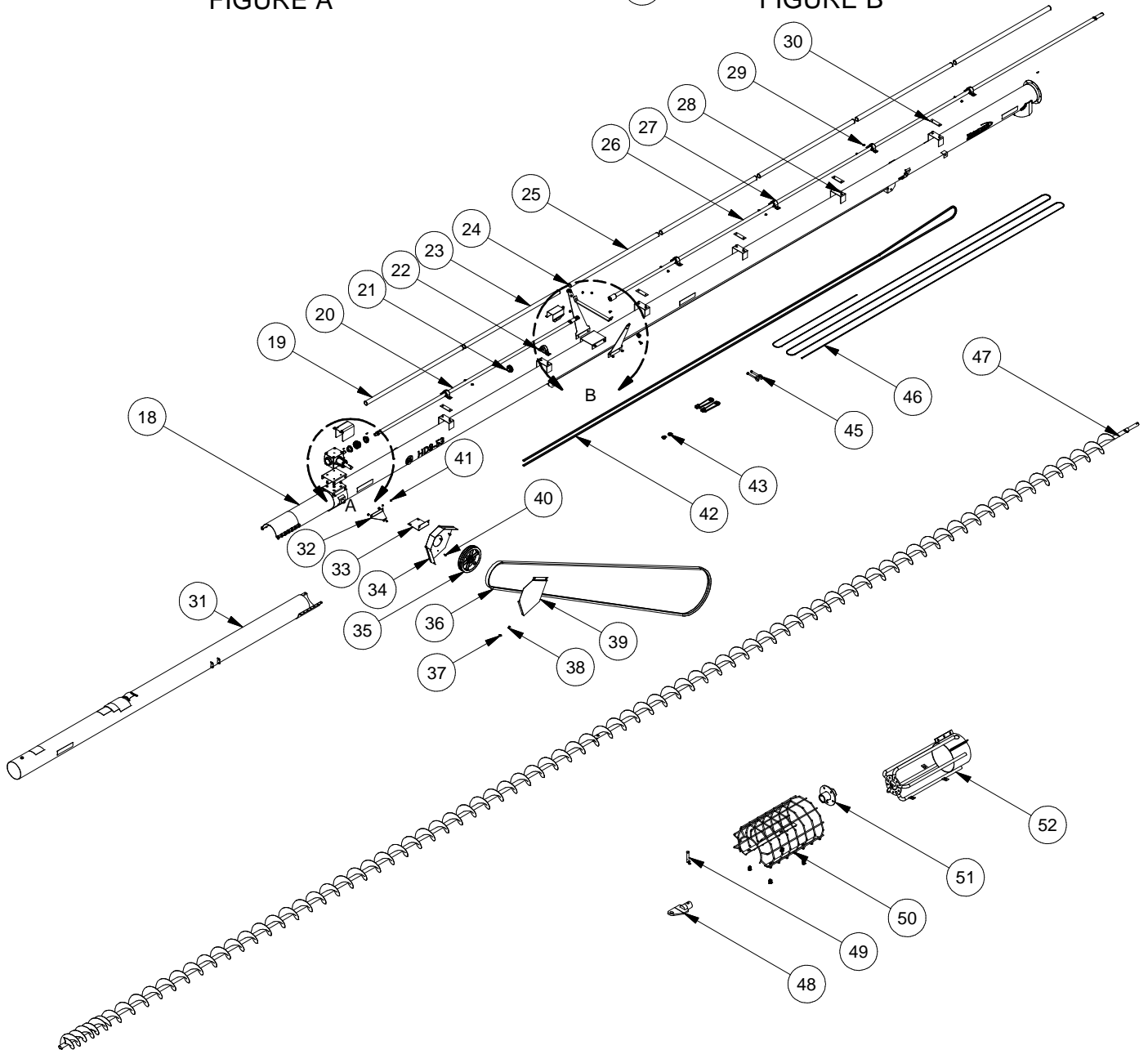
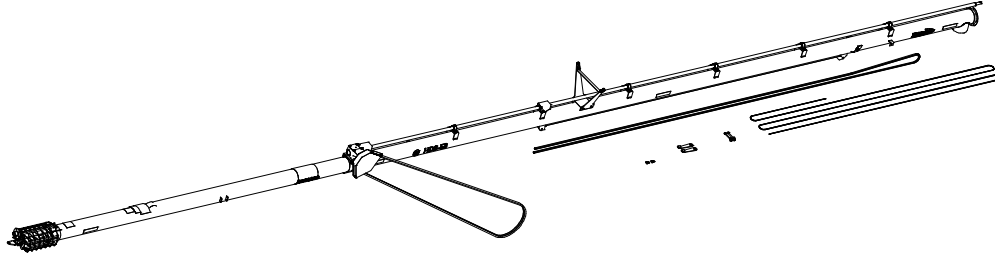


FIGURE B



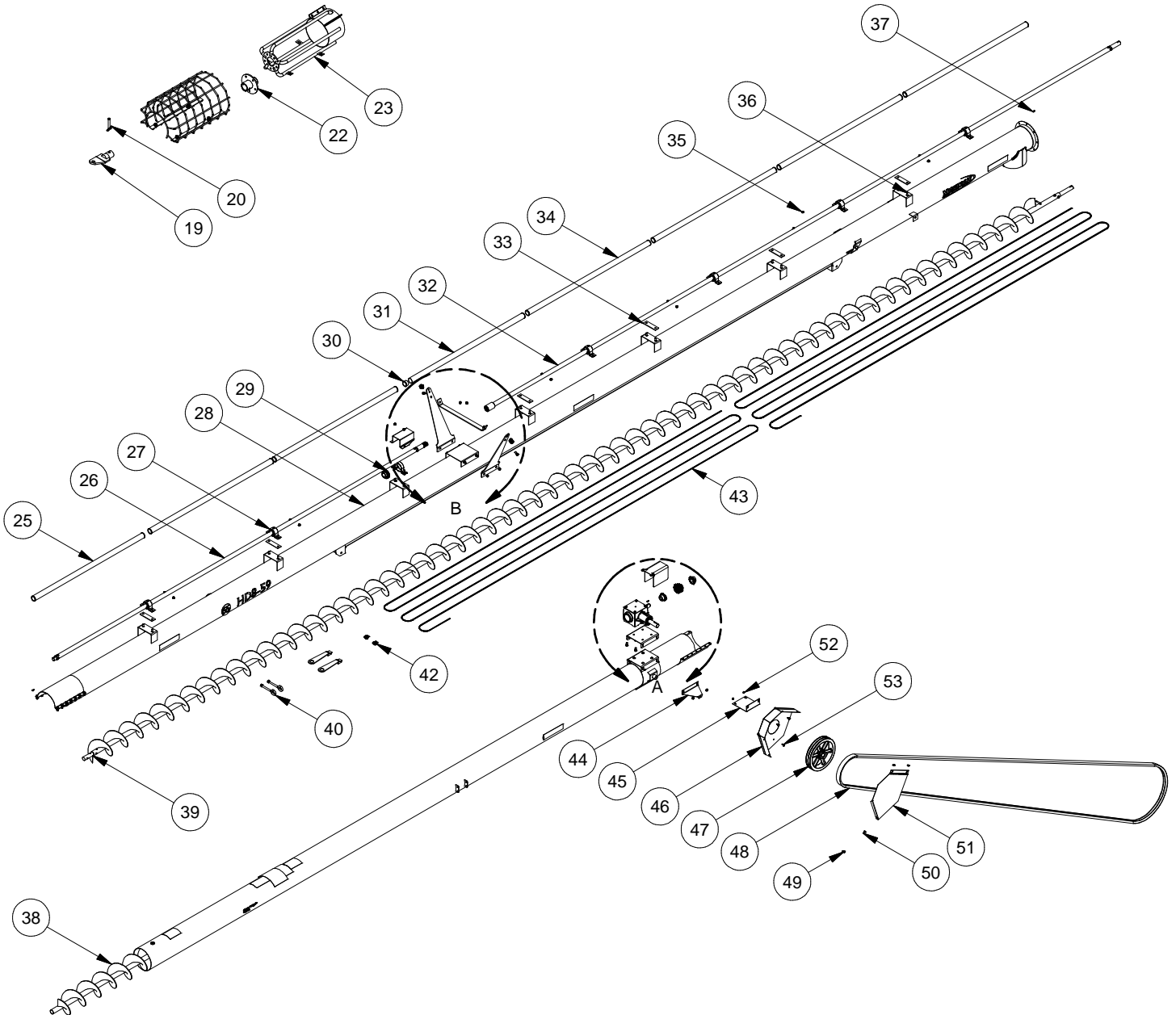
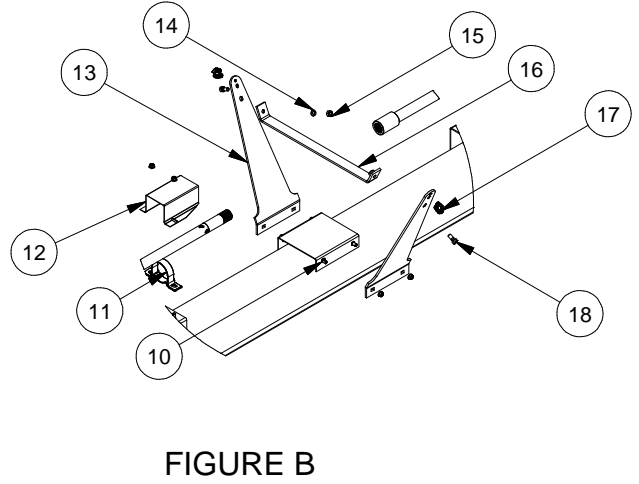
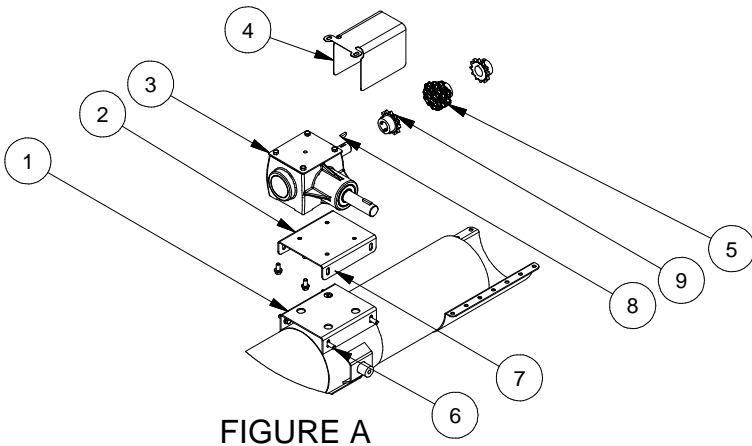
PARTS

# TUBE ASSEMBLY - HD8-53



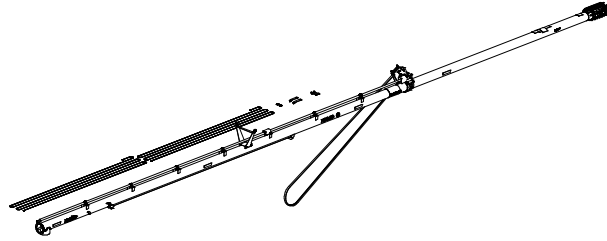
HD8-53			
REF #	PART #	QUANTITY	DESCRIPTION
1	13-0712-06012	4	3/8-16 UNC x 0.75 Flange Bolt
2	13000001404-00	1	Gear Box Mounting Plate
3	13000001403-00	1	Gear Box
4	13000001335-00	1	Guard Gear Box Shaft
5	13000001044-00	2	Coupler Sprocket
6	13-0712-06016	18	Flange Bolt 3/8-16 UNC x 1
7	13-0740-00808	1	Woodruff Key 1/4" x 1"
8	13000001045-00	1	Coupler Chain
9	13-0740-00807	2	Woodruff Key
10	13000001704-00	1	Drive Shaft Bearing Guard
11	13-0734-00007	2	Spring Lock Washer 7/16"
12	13-0725-00007	2	Hex Nut 7/16"-14 UNC
13	13000003101-00	1	Truss Brace
14	13000002433-00	2	Cable Clamp - 5/16"
15	13-0702-07016	2	Bolt 7/16-14 UNC - 1
16	13000001443-00	2	Truss Riser
17	13-0709-06012	4	Carriage Bolt 3/8-16 UNC - 0.75
18	13000003629-00	1	Tube Top
19	13000002470-00	1	D.S. Guard Bottom
20	13000001415-00	1	Drive Shaft Bottom
21	13000001409-00	1	Bearing
22	13000001410-00	1	Split Bearing Housing
23	13000001436-00	5	D.S. Guard Top
24	13000001441-00	14	Drive Shaft Guard Bushing
25	13000002468-00	1	D.S. Guard Middle
26	13000001413-00	1	Drive Shaft Top
27	13000001411-00	5	Split Pillow Block c/w Housing
28	13-0709-06016	16	Carriage Bolt 3/8-16 UNC - 1
29	13-0731-00006	38	Flange Nut 3/8-16 UNC
30	13000003535-00	5	Shim
31	13000003630-00	1	Tube Bottom
32	13000001429-00	1	Lower Pulley Bracket
33	13000001427-00	1	Upper Pulley Bracket
34	13000001339-00	1	PTO Guard - Back
35	13000001195-00	1	Double Groove Sheave - 1 1/4" Bore
36	13000001432-02	1	Belt - B-310 Banded Double
37	13-0732-00004	1	Wing Nut
38	13-0709-04012	3	Carriage Bolt 1/4" x 3/4"
39	13000001340-00	1	Pulley Guard Cover
40	13-0712-04010	3	Flange Bolt 1/4-20 UNC x 0.625
41	13-0731-00004	5	Flange Nut 1/4-20 UNC
42	13000001425-00	1	Lift Cable
43	13000001060-00	2	1/4" Galv. Cable Clamp
44	13000001435-00	2	Truss Cable Anchor
45	13000001447-00	2	1/2" x UNC x 6" Eye Bolt
46	13000001445-00	1	Truss/Lift Cable
47	13000001395-00	1	Flight
48	13000001401-00	1	Hitch
49	13000001402-00	1	Pin & Clip
50	13000001400-00	1	Guard
51	13000005198-00	1	Bushing Housing
52	13000005197-00	1	Fork Intake

# TUBE ASSEMBLY - HD8-59



## PARTS

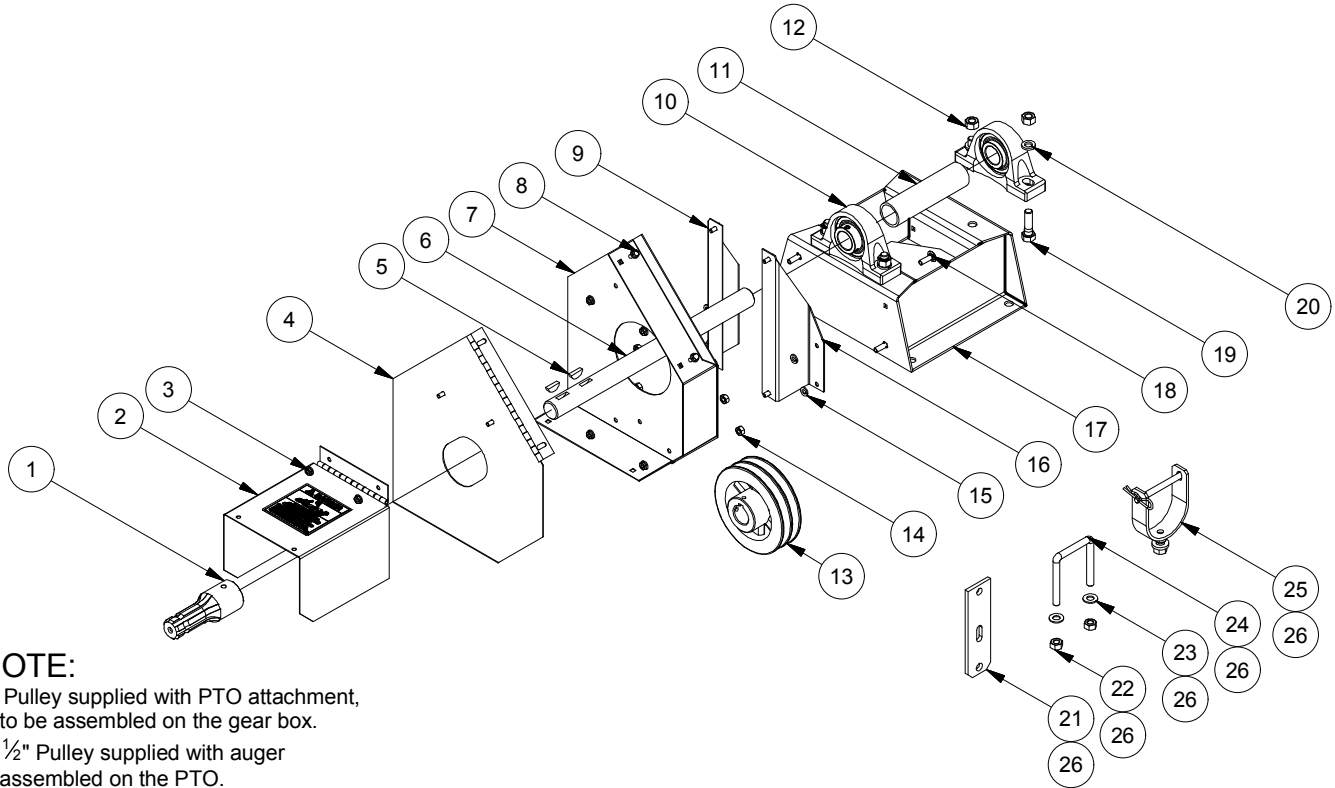
## TUBE ASSEMBLY - HD8-59



HD8-59			
REF #	PART #	QUANTITY	DESCRIPTION
1	13000003636-00	1	Tube Bottom
2	13000001404-00	1	Gear Box Mounting Plate
3	13000001403-00	1	Gear Box
4	13000001335-00	1	Guard Gear Box Shaft
5	13000001045-00	1	Coupler Chain
6	13-0712-06016	18	Flange Bolt 3/8-16 UNC x 1
7	13-0712-06012	4	Flange Bolt 3/8-16 UNC x 0.75
8	13-0740-00808	1	Woodruff Key 1/4" x 1"
9	13000001044-00	2	Coupler Sprocket
10	13-0709-06012	4	Carriage Bolt 3/8-16 UNC - 0.75
11	13000001410-00	1	Split Bearing Housing
12	13000001704-00	1	Drive Shaft Bearing Guard
13	13000001443-00	2	Truss Riser
14	13-0734-00007	2	Regular Helical Spring Lock Washers(Inch Series)
15	13-0725-00007	2	Hex Nut 7/16" -14 UNC
16	13000003101-00	1	Truss Brace
17	13000002433-00	2	Cable Clamp - 5/16"
18	13-0702-07016	2	Bolt 7/16-14 UNC - 1
19	13000001401-00	1	Hitch
20	13000001402-00	1	Pin & Clip
21	13000001400-00	1	Guard
22	13000005198-00	1	Bushing Housing
23	13000005197-00	1	Fork Intake
25	13000002478-00	1	D.S. Guard Bottom
26	13000001416-00	1	Drive Shaft Bottom
27	13000001411-00	6	Split Pillow Block c/w Housing
28	13000003635-00	1	Tube Top
29	13000001409-00	1	Bearing
30	13000001441-00	16	Drive Shaft Guard Bushing
31	13000002468-00	1	D.S. Guard Middle
32	13000001413-00	1	Drive Shaft Top
33	13000003535-00	6	Shim
34	13000001436-00	6	D.S. Guard Top
35	13-0731-00006	40	Flange Nut 3/8-16 UNC
36	13-0709-06016	18	Carriage Bolt 3/8-16 UNC - 1
37	13-0740-00807	2	Woodruff Key 1/4" x 7/8"
38	13000003639-00	1	Flight Bottom
39	13000003626-00	1	Flight Top
40	13000001447-00	2	1/2" x UNC x 6" Eye Bolt
41	13000001435-00	2	Truss Cable Anchor
42	13000001060-00	2	1/4" Galv. Cable Clamp
43	13000001446-00	2	Truss/Lift Cable
44	13000001429-00	1	Lower Pulley Bracket
45	13000001427-00	1	Upper Pulley Bracket
46	13000001339-00	1	PTO Guard - Back
47	13000001195-00	1	Double Groove Sheave - 1 1/4" Bore
48	13000001433-00	1	Belt - B-355 Banded Double
49	13-0732-00004	1	Wing Nut 1/4"
50	13-0709-04012	3	Carriage Bolt 1/4" x 3/4"
51	13000001340-00	1	Pulley Guard Cover
52	13-0731-00004	5	Flange Nut 1/4-20 UNC
53	13-0712-04010	3	Flange Bolt 1/4-20 UNC x 0.625



# PTO ATTACHMENT



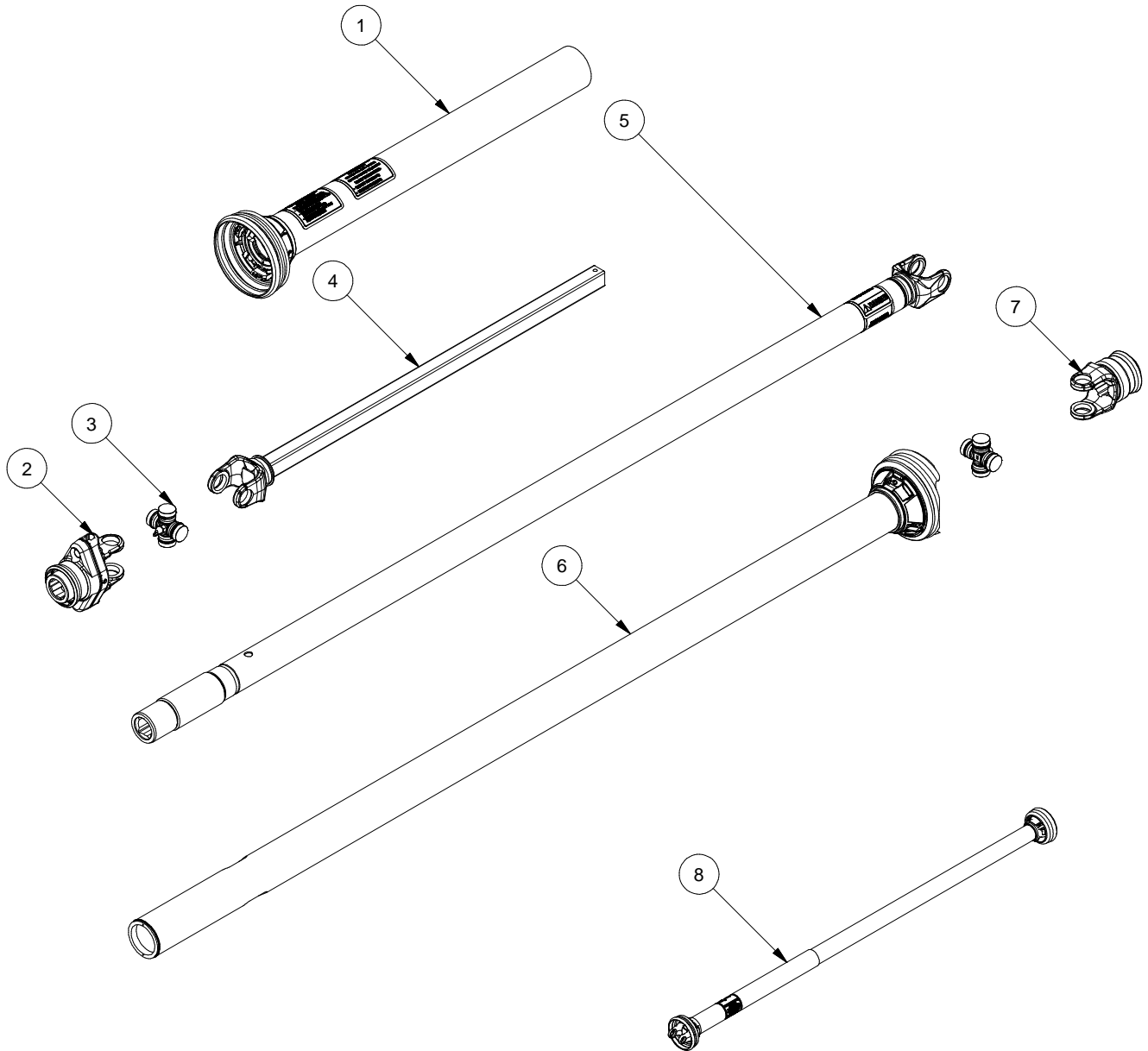
**NOTE:**

6" Pulley supplied with PTO attachment, is to be assembled on the gear box.

11½" Pulley supplied with auger is assembled on the PTO.

HD8			
REF #	PART #	QUANTITY	DESCRIPTION
1	13000001459-00	1	P.T.O. Splined Stub
2	13000001349-00	1	P.T.O. Guard
3	13-0731-00004	8	Flange Nut 1/4-20 UNC
4	13000001348-00	1	P.T.O. Guard Cover
5	13-0740-00808	2	Woodruff Key
6	13000001214-00	1	PTO Shaft
7	13000001339-00	1	PTO Guard - Back
8	13-0712-04008	8	Flange Bolt 1/4-20 UNC x 0.5
9	13000001460-00	1	Mounting Bracket - Pulley Guard - LH
10	13000001213-00	2	Bearing Pillow Block 1 1/4
11	13000001458-00	1	Guard Drive Shaft
12	13-0725-00008	4	Hex Nut 1/2"-13 UNC
13	13000002504-00	1	Double Groove V-Pulley - 6"
14	13-0725-00005	4	Hex Nut 5/16"
15	13-0734-00005	4	Spring Lock Washer 5/16"
16	13000001462-00	1	Mounting Bracket - Pulley Guard - RH
17	13000001212-00	1	PTO Box
18	13-0709-05016	4	Carriage Bolt 5/16-18 UNC - 1
19	13-0702-08028	4	Hex Cap Screw 1/2-13 UNC - 1.75
20	13-0734-00008	4	Spring Lock Washer 1/2"
21	13000002619-00	1	PTO Shaft Holder Base
22	13-0725-00007	2	Hex Nut 7/16" -14
23	13-0734-00007	2	Spring Lock Washer 7/16"
24	13000003143-00	1	U-Bolt 7/16" x 2.5" ID x 4" Long
25	13000002618-00	1	PTO Bracket Holder
26	13000002870-00	1	PTO Bracket Kit

## PTO SHAFT



HD8			
REF #	PART #	QUANTITY	DESCRIPTION
1	13000001999-00	1	Outer PTO Shield
2	13000001987-00	1	PTO Ball Shear Assembly
3	13000001274-00	2	Cross & Bearing Kit
4	13000001996-00	1	Yoke & Male Shaft
5	13000002003-00	1	Yoke & Female Tube
6	13000002001-00	1	Inner PTO Shield
7	13000002004-00	1	Quick Disconnect Yoke
8	13000002036-00	-	Complete PTO Shaft

## GENERAL PARTS

PART NUMBER	DESCRIPTION
13000002949-00	Red Spray Paint
13000004846-00	Dark Grey Spray Paint
13000001919-00	8" Cupped Repair Flight w/ Shaft and Stub - 1 1/2"
13000001197-00	8" Regular Flight / Foot - 1 1/2" OD Shaft
13000001448-00	8" Cupped Flight / 2 Feet - 1 1/2" OD Shaft
13000001645-00	8" Flight Shaft Core / Foot - 1 1/2" OD
13000001393-06	8" Flight Shaft Stub - Joiner - 1 1/2" OD Shaft
13000001393-07	8" Flight Shaft Stub - 1 1/2" OD Shaft
13000003865-00	8" Helix - Cup / Foot
13000001412-02	Flight Shaft Stub - Head - 1 1/4" OD
13000001412-03	Short Stub - Drive - 1 1/4" OD
13000001413-03	8" Splined Coupling
13000001414-02	8" Splined Shaft
13000001644-00	Drive Shaft / Foot - 1 3/8" OD
13000001198-00	8" Tubing / Foot
13000001389-13	8" Angle Flange
13000003693-00	Decal - HD8-33
13000003694-00	Decal - HD8-39
13000003695-00	Decal - HD8-46
13000003696-00	Decal - HD8-53
13000003697-00	Decal - HD8-59
13000003685-00	Decal - Meridian
13000001653-00	Decal - Caution (Large)
13000001654-00	Decal - Warning
13000001655-00	Decal - Danger - Upending Hazard
13000001656-00	Decal - Danger - Electrocution Hazard
13000001657-00	Decal - Danger - Rotating Flighting
13000001658-00	Decal - Warning - Mover Part Hazard
13000001659-00	Decal - Caution (Small)
13000001660-00	Decal - Rotating Drive Line
13000002901-00	Reflector Yellow
13000002900-00	Reflector Red
13000004970-00	Kit - Bolt On Repair Band 8in

# INDEX

Part #	Page	Ref #	Part #	Page	Ref #	Part #	Page	Ref #
13100010000	C18	39	13000001012-00	C12	19	13000001095-00	C2	11
13120012001	C18	38	13000001012-00	C13	19	13000001101-00	C18	1
13140014000	C18	36	13000001012-00	C14	23	13000001106-00	C18	22
13160016000	C18	37	13000001012-00	C15	23	13000001107-00	C18	2
13180018000	C18	35	13000001016-00	C11	8	13000001114-00	C18	19
13000001004-00	C11	15	13000001016-00	C12	8	13000001115-00	C18	23
13000001004-00	C12	15	13000001016-00	C13	8	13000001133-02	C24	29
13000001004-00	C13	15	13000001016-00	C14	8	13000001195-00	C20	22
13000001004-00	C14	19	13000001016-00	C15	8	13000001195-00	C22	22
13000001004-00	C15	19	13000001017-00	C11	9	13000001195-00	C24	28
13000001005-00	C11	17	13000001017-00	C12	9	13000001195-00	C26	35
13000001005-00	C12	17	13000001017-00	C13	9	13000001195-00	C28	47
13000001005-00	C13	17	13000001017-00	C14	9	13000001197-00	C31	N/A
13000001005-00	C14	21	13000001017-00	C15	9	13000001198-00	C31	N/A
13000001005-00	C15	21	13000001017-00	C4	23	13000001202-00	C1	12
13000001006-00	C11	16	13000001017-00	C8	2	13000001207-00	C2	16
13000001006-00	C12	16	13000001017-00	C12	1	13000001208-00	C2	15
13000001006-00	C13	16	13000001017-00	C6	22	13000001210-00	C18	6
13000001006-00	C14	20	13000001044-00	C20	11	13000001212-00	C29	17
13000001006-00	C15	20	13000001044-00	C22	9	13000001213-00	C29	10
13000001007-00	C11	18	13000001044-00	C24	9	13000001214-00	C29	6
13000001007-00	C12	18	13000001044-00	C26	5	13000001223-00	C11	11
13000001007-00	C13	18	13000001044-00	C28	9	13000001223-00	C12	11
13000001007-00	C14	22	13000001045-00	C20	10	13000001223-00	C13	11
13000001007-00	C15	22	13000001045-00	C22	8	13000001223-00	C14	15
13000001008-00	C11	20	13000001045-00	C24	8	13000001223-00	C15	15
13000001008-00	C12	20	13000001045-00	C26	8	13000001274-00	C30	3
13000001008-00	C13	20	13000001045-00	C28	5	13000001335-00	C20	3
13000001008-00	C14	24	13000001060-00	C20	29	13000001335-00	C22	4
13000001008-00	C15	24	13000001060-00	C22	29	13000001335-00	C24	4
13000001009-00	C11	21	13000001060-00	C24	35	13000001335-00	C26	4
13000001009-00	C12	21	13000001060-00	C26	43	13000001335-00	C28	4
13000001009-00	C13	21	13000001060-00	C28	42	13000001339-00	C20	21
13000001009-00	C14	25	13000001071-00	C20	26	13000001339-00	C22	21
13000001009-00	C15	25	13000001072-02	C22	23	13000001339-00	C24	27
13000001010-00	C11	22	13000001083-00	C2	4	13000001339-00	C26	34
13000001010-00	C12	22	13000001084-00	C2	3	13000001339-00	C28	46
13000001010-00	C13	22	13000001085-00	C2	2	13000001339-00	C29	7
13000001010-00	C14	26	13000001086-00	C2	1	13000001340-00	C20	23
13000001010-00	C15	26	13000001087-00	C2	6	13000001340-00	C22	26
13000001011-00	C11	24	13000001088-00	C2	10	13000001340-00	C24	32
13000001011-00	C12	24	13000001089-00	C2	14	13000001340-00	C26	39
13000001011-00	C13	24	13000001090-00	C2	17	13000001340-00	C28	51
13000001011-00	C14	28	13000001091-00	C2	13	13000001348-00	C29	4
13000001011-00	C15	28	13000001092-00	C2	12	13000001349-00	C29	2
13000001012-00	C11	19	13000001093-00	C2	9	13000001364-00	C11	5

## INDEX

Part #	Page	Ref #	Part #	Page	Ref #	Part #	Page	Ref #
13000001364-00	C12	5	13000001400-00	C26	50	13000001424-00	C24	36
13000001364-00	C13	5	13000001400-00	C28	21	13000001425-00	C26	42
13000001364-00	C14	5	13000001401-00	C20	32	13000001427-00	C20	19
13000001364-00	C15	5	13000001401-00	C22	32	13000001427-00	C22	20
13000001365-00	C11	4	13000001401-00	C24	38	13000001427-00	C24	26
13000001365-00	C12	4	13000001401-00	C26	48	13000001427-00	C26	33
13000001365-00	C13	4	13000001401-00	C28	19	13000001427-00	C28	45
13000001365-00	C14	4	13000001402-00	C20	33	13000001429-00	C20	20
13000001365-00	C15	4	13000001402-00	C22	33	13000001429-00	C22	19
13000001366-00	C11	7	13000001402-00	C24	39	13000001429-00	C24	25
13000001366-00	C12	7	13000001402-00	C26	49	13000001429-00	C26	32
13000001366-00	C13	7	13000001402-00	C28	20	13000001429-00	C28	44
13000001366-00	C14	7	13000001403-00	C2	22	13000001432-02	C26	36
13000001366-00	C15	7	13000001403-00	C20	2	13000001433-00	C28	48
13000001367-00	C14	11	13000001403-00	C22	3	13000001435-00	C26	44
13000001367-00	C15	11	13000001403-00	C24	3	13000001435-00	C28	41
13000001378-00	C3	16	13000001403-00	C26	3	13000001436-00	C20	18
13000001378-00	C4	26	13000001403-00	C28	3	13000001436-00	C22	16
13000001378-00	C8	25	13000001404-00	C20	7	13000001436-00	C24	21
13000001378-00	C10	26	13000001404-00	C22	2	13000001436-00	C26	23
13000001378-00	C6	24	13000001404-00	C24	2	13000001436-00	C28	34
13000001380-03	C4	20	13000001404-00	C26	2	13000001441-00	C20	12
13000001380-03	C8	17	13000001404-00	C28	2	13000001441-00	C22	13
13000001380-03	C10	18	13000001409-00	C24	12	13000001441-00	C24	23
13000001380-03	C6	20	13000001409-00	C26	21	13000001441-00	C26	24
13000001381-00	C4	3	13000001409-00	C28	29	13000001441-00	C28	30
13000001381-00	C8	21	13000001410-00	C24	13	13000001443-00	C26	16
13000001381-00	C10	22	13000001410-00	C26	22	13000001443-00	C28	13
13000001381-00	C6	2	13000001410-00	C28	11	13000001445-00	C28	46
13000001383-00	C8	30	13000001411-00	C20	17	13000001446-00	C28	43
13000001383-00	C10	30	13000001411-00	C22	17	13000001447-00	C26	45
13000001383-00	C6	30	13000001411-00	C24	22	13000001447-00	C28	40
13000001387-00	C11	13	13000001411-00	C26	27	13000001448-00	C31	N/A
13000001387-00	C12	13	13000001411-00	C28	27	13000001449-00	C18	3
13000001387-00	C13	13	13000001412-00	C22	14	13000001450-00	C18	27
13000001387-00	C14	17	13000001412-02	C31	N/A	13000001451-00	C18	28
13000001387-00	C15	17	13000001412-03	C31	N/A	13000001452-00	C18	29
13000001389-00	C31	N/A	13000001413-00	C24	17	13000001453-00	C18	30
13000001389-04	C31	N/A	13000001413-00	C26	26	13000001456-00	C1	4
13000001393-00	C22	30	13000001413-00	C28	32	13000001458-00	C29	11
13000001393-06	C31	N/A	13000001413-03	C31	N/A	13000001459-00	C29	1
13000001393-07	C31	N/A	13000001414-00	C24	11	13000001460-00	C29	9
13000001395-00	C26	47	13000001414-02	C31	N/A	13000001462-00	C29	16
13000001400-00	C20	34	13000001415-00	C26	20	13000001494-00	C2	21
13000001400-00	C22	34	13000001416-00	C28	26	13000001496-00	C2	19
13000001400-00	C24	40	13000001423-00	C22	31	13000001644-00	C31	N/A

## INDEX

Part #	Page	Ref #	Part #	Page	Ref #	Part #	Page	Ref #
13000001645-00	C31	N/A	13000001944-00	C16	16	13000002441-00	C6	33
13000001653-00	C31	N/A	13000001946-00	C16	4	13000002442-00	C20	31
13000001654-00	C31	N/A	13000001947-00	C16	5	13000002466-00	C20	8
13000001655-00	C31	N/A	13000001948-00	C16	3	13000002467-01	C22	11
13000001656-00	C31	N/A	13000001949-00	C18	12	13000002468-00	C24	16
13000001657-00	C31	N/A	13000001987-00	C30	2	13000002468-00	C26	25
13000001658-00	C31	N/A	13000001996-00	C30	4	13000002468-00	C28	31
13000001659-00	C31	N/A	13000001999-00	C30	1	13000002469-00	C24	14
13000001660-00	C31	N/A	13000002001-00	C30	6	13000002470-00	C26	19
13000001668-00	C1	5	13000002003-00	C30	5	13000002478-00	C28	25
13000001670-00	C11	14	13000002004-00	C30	7	13000002486-00	C1	3
13000001670-00	C12	14	13000002018-00	C3	5	13000002504-00	C29	13
13000001670-00	C13	14	13000002018-00	C4	14	13000002511-00	C1	8
13000001670-00	C14	18	13000002018-00	C8	3	13000002553-00	C11	25
13000001670-00	C15	18	13000002018-00	C10	24	13000002553-00	C12	25
13000001672-00	C16	21	13000002018-00	C6	15	13000002553-00	C13	25
13000001681-00	C3	2	13000002023-00	C3	8	13000002553-00	C14	29
13000001681-00	C4	6	13000002023-00	C4	16	13000002553-00	C15	29
13000001681-00	C8	7	13000002023-00	C6	13	13000002605-00	C18	7
13000001681-00	C10	7	13000002024-00	C8	14	13000002618-00	C29	25
13000001681-00	C6	6	13000002025-00	C10	14	13000002619-00	C29	21
13000001681-00	C16	26	13000002028-00	C10	4	13000002868-00	C8	36
13000001704-00	C24	15	13000002032-00	C1	10	13000002868-00	C10	36
13000001704-00	C26	10	13000002036-00	C30	8	13000002868-00	C6	36
13000001704-00	C28	12	13000002342-00	C1	6	13000002870-00	C29	26
13000001711-00	C16	25	13000002345-00	C20	5	13000002900-00	C31	N/A
13000001712-00	C16	17	13000002354-00	C3	18	13000002901-00	C31	N/A
13000001919-00	C31	N/A	13000002355-00	C4	1	13000002948-00	C16	7
13000001922-00	C3	21	13000002356-00	C6	3	13000002949-00	C31	N/A
13000001922-00	C4	27	13000002357-00	C8	22	13000002959-00	C2	7
13000001922-00	C8	27	13000002358-00	C10	23	13000002964-00	C18	10
13000001922-00	C10	16	13000002364-00	C1	2	13000003101-00	C26	13
13000001922-00	C6	26	13000002372-00	C3	6	13000003101-00	C28	16
13000001924-00	C3	4	13000002372-00	C4	10	13000003117-00	C3	17
13000001924-00	C4	8	13000002372-00	C6	12	13000003117-00	C4	21
13000001924-00	C8	15	13000002373-00	C8	4	13000003117-00	C8	18
13000001924-00	C10	15	13000002375-00	C20	15	13000003117-00	C10	19
13000001924-00	C6	8	13000002433-00	C26	14	13000003117-00	C6	17
13000001926-00	C3	13	13000002433-00	C28	17	13000003142-00	C16	2
13000001926-00	C4	18	13000002437-00	C20	30	13000003143-00	C29	24
13000001926-00	C8	9	13000002439-00	C18	26	13000003360-00	C8	29
13000001926-00	C10	9	13000002440-00	C8	32	13000003360-00	C10	29
13000001926-00	C6	9	13000002440-00	C10	32	13000003360-00	C6	29
13000001929-00	C18	11	13000002440-00	C6	34	13000003535-00	C20	16
13000001937-00	C16	15	13000002441-00	C8	33	13000003535-00	C22	12
13000001939-00	C16	13	13000002441-00	C10	33	13000003535-00	C24	18

# INDEX

Part #	Page	Ref #	Part #	Page	Ref #	Part #	Page	Ref #
13000003535-00	C26	30	13000005226-00	C15	14	13-0702-10040	C4	22
13000003535-00	C28	33	13-0702-05012	C2	5	13-0702-10040	C8	20
13000003622-00	C24	10	13-0702-06024	C18	17	13-0702-10040	C10	21
13000003623-00	C24	24	13-0702-06044	C18	24	13-0702-10040	C6	21
13000003624-00	C24	37	13-0702-06056	C3	19	13-0706-04008	C1	7
13000003626-00	C28	39	13-0702-06056	C4	24	13-0709-04012	C20	25
13000003629-00	C26	18	13-0702-06056	C8	24	13-0709-04012	C22	25
13000003630-00	C26	31	13-0702-06056	C10	25	13-0709-04012	C24	31
13000003635-00	C28	28	13-0702-06056	C6	23	13-0709-04012	C26	38
13000003636-00	C28	1	13-0702-06072	C14	10	13-0709-04012	C28	50
13000003639-00	C28	38	13-0702-06072	C15	10	13-0709-05016	C29	18
13000003685-00	C31	N/A	13-0702-06144	C3	22	13-0709-06012	C26	17
13000003693-00	C31	N/A	13-0702-06144	C4	9	13-0709-06012	C28	10
13000003694-00	C31	N/A	13-0702-06144	C8	8	13-0709-06016	C20	13
13000003695-00	C31	N/A	13-0702-06144	C10	8	13-0709-06016	C22	18
13000003696-00	C31	N/A	13-0702-06144	C6	7	13-0709-06016	C24	19
13000003697-00	C31	N/A	13-0702-07016	C26	15	13-0709-06016	C26	28
13000003865-00	C31	N/A	13-0702-07016	C28	18	13-0709-06016	C28	36
13000004116-00	C22	10	13-0702-07016	C18	18	13-0709-06016	C18	15
13000004637-00	C2	18	13-0702-07016	C3	14	13-0709-06016	C8	35
13000004846-00	C31	N/A	13-0702-07016	C4	19	13-0709-06016	C10	35
13000005026-00	C11	3	13-0702-07016	C8	19	13-0709-06016	C6	31
13000005026-00	C12	3	13-0702-07016	C10	20	13-0712-04008	C29	8
13000005026-00	C13	3	13-0702-07016	C6	19	13-0712-04008	C18	9
13000005026-00	C14	3	13-0702-07024	C1	1	13-0712-04010	C20	28
13000005026-00	C15	3	13-0702-07048	C18	25	13-0712-04010	C22	27
13000005197-00	C22	37	13-0702-07056	C3	23	13-0712-04010	C24	33
13000005197-00	C24	43	13-0702-07056	C4	28	13-0712-04010	C26	40
13000005197-00	C26	52	13-0702-07056	C8	23	13-0712-04010	C28	53
13000005197-00	C28	23	13-0702-07056	C10	3	13-0712-06012	C20	1
13000005197-00	C20	36	13-0702-07056	C6	27	13-0712-06012	C22	1
13000005197-00	C22	36	13-0702-07064	C3	11	13-0712-06012	C24	1
13000005197-00	C24	42	13-0702-07064	C4	12	13-0712-06012	C26	1
13000005197-00	C26	52	13-0702-07064	C8	12	13-0712-06012	C28	7
13000005197-00	C28	23	13-0702-07064	C10	12	13-0712-06016	C20	6
13000005198-00	C20	37	13-0702-07064	C6	14	13-0712-06016	C22	6
13000005198-00	C20	35	13-0702-08020	C18	5	13-0712-06016	C24	6
13000005198-00	C22	36	13-0702-08028	C29	19	13-0712-06016	C26	6
13000005198-00	C24	41	13-0702-08048	C8	31	13-0712-06016	C28	6
13000005198-00	C26	51	13-0702-08048	C10	31	13-0712-06016	C3	15
13000005198-00	C28	22	13-0702-08048	C6	35	13-0712-06016	C4	4
13000005222-00	C12	10	13-0702-08064	C11	6	13-0712-06016	C8	5
13000005223-00	C11	10	13-0702-08064	C12	6	13-0712-06016	C10	5
13000005224-00	C13	10	13-0702-08064	C13	6	13-0712-06016	C6	4
13000005225-00	C14	14	13-0702-08064	C14	6	13-0725-00005	C29	14
13000005226-00	C15	14	13-0702-08064	C15	6	13-0725-00006	C14	13

## INDEX

Part #	Page	Ref #	Part #	Page	Ref #	Part #	Page	Ref #
13-0725-00006	C15	13	13-0731-00006	C26	29	13-0734-00012	C3	7
13-0725-00006	C18	13	13-0731-00006	C28	35	13-0734-00012	C4	11
13-0725-00006	C3	1	13-0731-00006	C3	3	13-0734-00012	C8	10
13-0725-00006	C4	25	13-0731-00006	C4	7	13-0734-00012	C10	10
13-0725-00006	C8	26	13-0731-00006	C8	28	13-0734-00012	C6	10
13-0725-00006	C10	6	13-0731-00006	C10	28	13-0735-00012	C3	12
13-0725-00006	C6	5	13-0731-00006	C6	28	13-0735-00012	C4	17
13-0725-00007	C26	12	13-0731-00007	C1	9	13-0735-00012	C8	11
13-0725-00007	C28	15	13-0731-00008	C8	34	13-0735-00012	C10	11
13-0725-00007	C29	22	13-0731-00008	C10	34	13-0735-00012	C6	11
13-0725-00007	C18	20	13-0731-00008	C6	32	13-0736-00006	C14	12
13-0725-00007	C3	9	13-0732-00004	C20	24	13-0736-00006	C15	12
13-0725-00007	C4	13	13-0732-00004	C22	24	13-0737-04032	C11	12
13-0725-00007	C8	16	13-0732-00004	C24	30	13-0737-04032	C12	12
13-0725-00007	C10	17	13-0732-00004	C26	37	13-0737-04032	C13	12
13-0725-00007	C6	16	13-0732-00004	C28	49	13-0737-04032	C14	16
13-0725-00008	C11	1	13-0734-00005	C29	15	13-0737-04032	C15	16
13-0725-00008	C12	1	13-0734-00006	C18	21	13-0737-05040	C11	23
13-0725-00008	C13	1	13-0734-00006	C3	20	13-0737-05040	C12	23
13-0725-00008	C14	1	13-0734-00006	C4	5	13-0737-05040	C13	23
13-0725-00008	C15	1	13-0734-00006	C8	6	13-0737-05040	C14	27
13-0725-00008	C29	12	13-0734-00006	C10	27	13-0737-05040	C15	27
13-0725-00008	C18	16	13-0734-00006	C6	25	13-0740-00807	C20	4
13-0725-00012	C18	31	13-0734-00007	C26	11	13-0740-00807	C22	5
13-0729-00010	C4	2	13-0734-00007	C28	14	13-0740-00807	C24	5
13-0729-00010	C8	1	13-0734-00007	C29	23	13-0740-00807	C26	9
13-0729-00010	C10	1	13-0734-00007	C18	4	13-0740-00807	C28	37
13-0729-00010	C6	1	13-0734-00007	C3	10	13-0740-00808	C1	11
13-0731-00004	C20	27	13-0734-00007	C4	15	13-0740-00808	C2	8
13-0731-00004	C22	28	13-0734-00007	C8	13	13-0740-00808	C20	9
13-0731-00004	C24	34	13-0734-00007	C10	13	13-0740-00808	C22	7
13-0731-00004	C26	41	13-0734-00007	C6	18	13-0740-00808	C24	7
13-0731-00004	C28	52	13-0734-00008	C11	2	13-0740-00808	C26	7
13-0731-00004	C29	3	13-0734-00008	C12	2	13-0740-00808	C28	8
13-0731-00004	C18	8	13-0734-00008	C14	2	13-0740-00808	C29	5
13-0731-00006	C20	14	13-0734-00008	C15	2	13-0740-00809	C2	20
13-0731-00006	C22	15	13-0734-00008	C29	20	13999900070-00	C31	N/A
13-0731-00006	C24	20	13-0734-00008	C18	14			



# Limited Warranty Statement

1. Meridian Manufacturing Inc warrants each new Meridian Manufacturing Inc product (the "Goods") to be free from defects in material and workmanship under normal use and service for a period of two (2) years or ninety (90) days in the case of commercial use, from the shipment date from the Meridian dealer (FCA).
2. Meridian warrants replacement parts and components either manufactured or sold by, will be free from defects in materials or workmanship under normal use and service for thirty (30) days from the shipment date from the Meridian dealer (FCA), or the remainder of the original warranty period on the Goods, whichever is longer.
3. This warranty does not apply to:
  - a) to any merchandise or components thereof, which in the sole and unfettered opinion of Meridian, have been subject to misuse, unauthorized modifications, alteration, accident, negligence, product abuse or lack of required maintenance.
  - b) if repairs have been made with parts or by persons other than those parts or persons approved by Meridian.
  - c) to parts and accessories not manufactured by Meridian including, but not limited to, engines, batteries, tires, belts, PTO shafts or other trade accessories. Such parts shall be covered by the warranty given by the actual manufacturer, if any.
  - d) to failure of parts; or failure of parts to perform due to wear under normal or excessive service conditions; or to failure due to use by the Purchaser for purposes other than originally intended at time of manufacture, including without limitation using the Goods for mixing fertilizer, etc.; or used in excess of the built specifications.
  - e) to Goods used in areas exposed to corrosive or aggressive conditions including, but not limited to, salt water from either inside or outside the Goods.
  - f) to failures or defects arising out of damage during shipment or during storage.
  - g) to materials replaced or repaired under this warranty, except to the extent of the remainder of the applicable warranty.
4. The obligation of Meridian under this warranty shall not arise unless Meridian is notified and this warranty is presented together with a written statement specifying the claim or defect within thirty (30) days after the failure is first detected or made known to the Purchaser and within: (i) two (2) years, or ninety (90) days in the case of commercial use; or (ii) thirty (30) days in the case of replacement parts and components manufactured by Meridian; from the shipment date from the Meridian dealer (FCA). Meridian in its sole and unfettered discretion shall determine if the claim is valid and whether correction of the defect or failure shall be made by repair or replacement of the materials.
5. Title to any replaced materials Meridian wishes to have pass to it, shall pass to Meridian.
6. The obligation of Meridian hereunder extends only to the original Purchaser or Buyer to whom the Goods were initially sold. This warranty shall not be subject to any assignment or transfer without the written consent of Meridian.
7. The purchaser acknowledges that it has made its own independent decision to approve the use of the Goods and also the specific fabrication and construction procedures utilized to complete the Goods, and has satisfied itself as to the suitability of these products for its use.

8. This warranty is subject to the following limitations, provisions and conditions:
- a) Meridian shall have no liability hereunder for any claims, including field re-work.
  - b) Meridian shall not be liable for any incidental loss or damage, however caused, including, without limitation, normal wear and tear.
  - c) Meridian makes no express or implied warranties of any nature whatsoever except for such express warranties as set out herein. The warranty provided herein is in lieu of and excludes all other warranties, guarantees or conditions pertaining to the Goods, written or oral, statutory, express or implied, (except the warranty as to title) including any warranty as to the merchantability or fitness for any particular purpose. Meridian expressly disclaims all other representations, conditions or warranties, expressed or implied, statutory or otherwise and any representations, warranties or conditions that may arise from a course of dealing or usage of trade. The warranty provided herein shall constitute Meridian's sole obligation and liability and the Purchaser's sole remedy for breach of warranty. No other warranty has been made by any employee, agent, or representative of Meridian and any statements contained in any other printed material of Meridian is expressly excluded herefrom. Meridian shall not be responsible for any warranty offered by the Purchaser to its customers with respect to the Goods and the Purchaser shall indemnify Meridian with respect to same if any of those customers makes a claim against Meridian relating to any such warranty.
  - d) Subject to Meridian's obligations contained in paragraphs 1 and 2 herein, none of Meridian, its officers, directors, servants or agents shall be liable, or responsible for any loss or damage (including strict liability and liability for loss or damage due to items which the manufacturing processes are designed to identify) whether such loss or damage is caused by negligence in any manner whatsoever (including gross negligence, error, misrepresentation, misstatement, imprudence, lack of skill or lack of judgement).
9. The sole financial obligation of Meridian under this warranty shall be limited to the repair or replacement of the Goods as originally supplied and in no event shall they exceed the original cost of the Goods supplied.
10. Meridian shall not have any obligation under any warranty herein until all accounts have been paid in full by the Purchaser.
11. The construction and interpretation of this Warranty shall be governed by the laws of the Province of Saskatchewan.

## **Warranty Claim Procedure**

1. Purchaser must register the Goods with Meridian.
2. Purchaser must contact the dealer where the unit was purchased from upon discovery of any defects.
3. A completed warranty claim form must be submitted by the dealer to Meridian's warranty representative for review and any subsequent course of action.
4. Warranty repair work will only be performed by Meridian or an approved representative of Meridian. No warranty work completed prior to approval by Meridian will be honored. Failure to follow procedure may affect any or all of this warranty.
5. Claims will be adjudicated at the sole discretion of Meridian and in accordance with the terms and conditions of the limited warranty.

# MERIDIAN MANUFACTURING INC.

With over 65 years of experience,  
Meridian is your storage and handling expert.



[www.meridianmfg.com](http://www.meridianmfg.com)

#### **Cambridge Office**

605 Sheldon Dr.  
Cambridge, On. N1T 2K1  
PH: 519.620.6004  
TF: 855.346.3712  
FX: 519.620.6041

#### **Camrose Office**

4232 - 38 St.  
Camrose, AB T4V 4B2  
PH: 780.672.4516  
TF: 800.830.2467  
FX: 780.672.4759

#### **Lethbridge Office**

3125 - 24 Ave. N.  
Lethbridge, AB T1H 5G2  
PH: 403.320.7070  
TF: 800.661.1436  
FX: 403.320.7579

#### **Regina Office**

PO Box 1996  
Regina, SK S4P 3E1  
PH: 306.545.4044  
TF: 800.667.5904  
FX: 306.545.4216

#### **Storm Lake Office**

2902 Expansion Blvd.  
Storm Lake, IA 50588  
PH: 712.732.1780  
TF: 800.437.2334  
FX: 712.732.1028

#### **Winkler Office**

Box 760, 275 Hespler Ave.  
Winkler, MB R6W 4A8  
PH: 204.325.7883  
TF: 800.665.7259  
FX: 204.325.5556