

MERIDIAN[®]

PARTS BOOK



SEED TITAN™ 2XT TWO BOX SEED TENDER

This page intentionally left blank

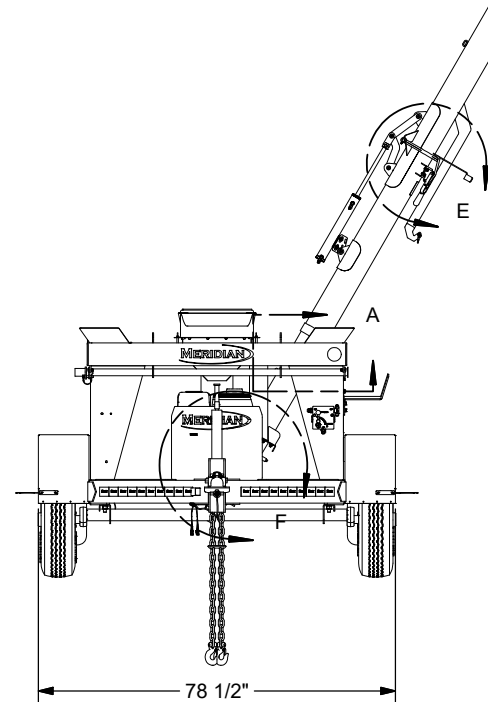
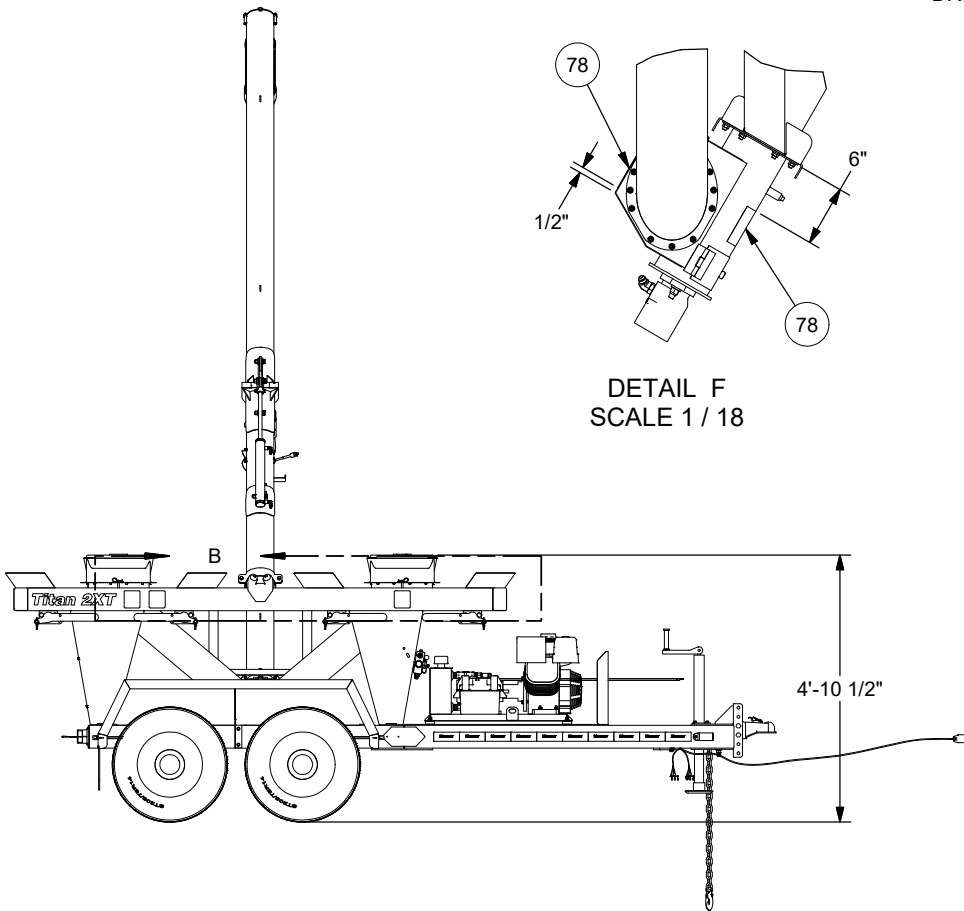
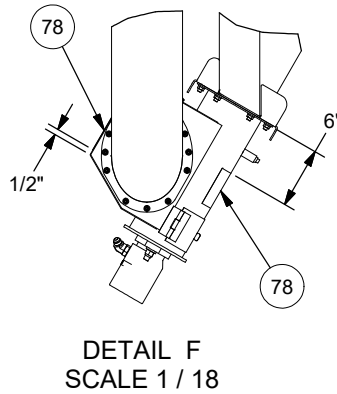
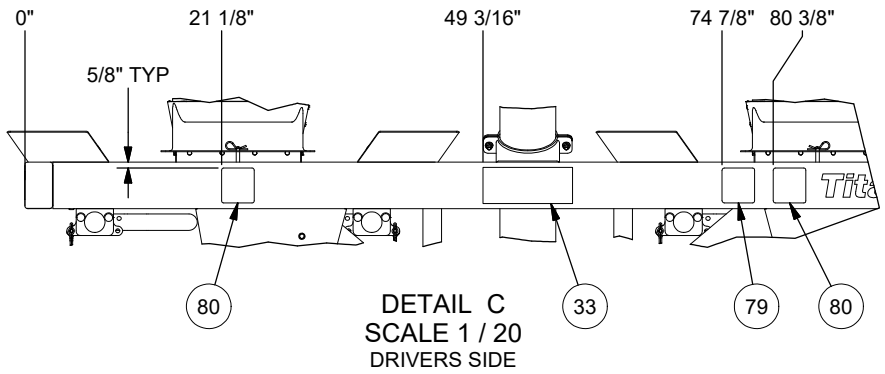
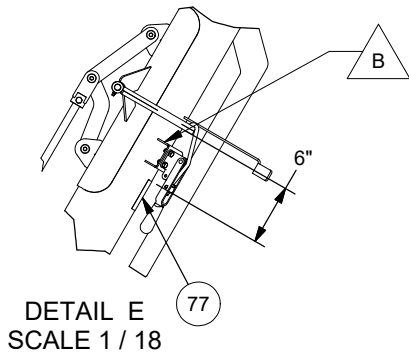
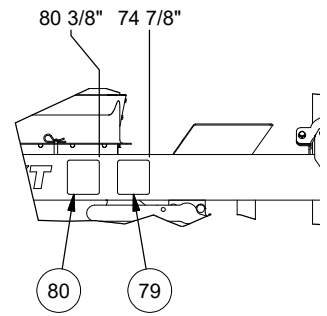
TABLE OF CONTENTS

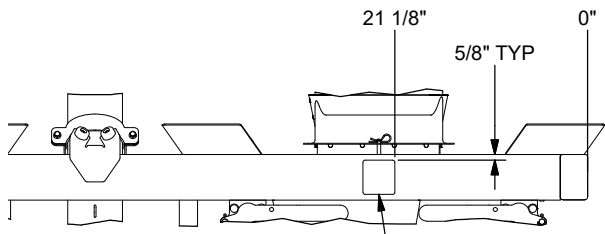
DESCRIPTION	PAGE
80208 Seed Titan™ 2XT	1
43127 Trailer Assembly Titan™ 2XT STL.	8
42614 Module Assembly Titan™ 2XT	12
41178 PowerPack Assembly Titan™ 2XT	16

NOTES

1. USE HYDRAULIC OIL APPROVED SEALANT ON ALL HYDRAULIC OIL TANK & FILTER FITTINGS.
2. FILTER FLOW ARROW TO BE POINTING TOWARDS TANK.
3. ALL HOSES AND WIRING TO BE ROUTED OUT OF THE WAY OF MOVING COMPONENTS.
4. SOLENOID WILL NEED TO BE WIRED INTO HARNESS ASSEMBLY.
5. MOTOR/AUGER TO SPIN CLOCKWISE WHEN ACTIVATED.
6. SEE PAGE 2 FOR BOM.
7. SEE PAGE 3 FOR EXPLODED VIEWS.
8. SEE PAGE 4 FOR HYDRAULIC SYSTEM LAYOUT.

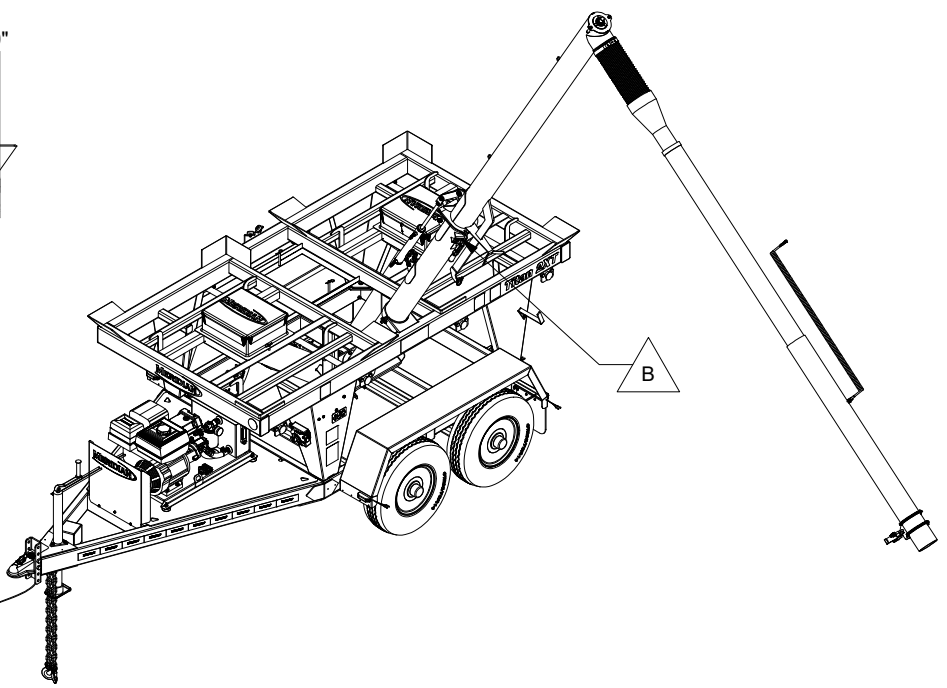
COMPONENTS WITHIN THIS ASSEMBLY ARE COVERED BY ONE OR MORE U.S., CANADIAN, FOREIGN PATENTS AND/OR PENDING PATENT APPLICATIONS.



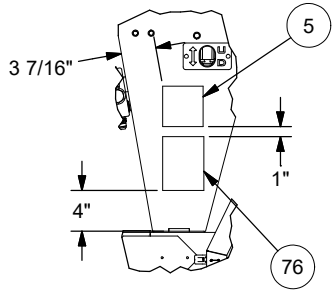
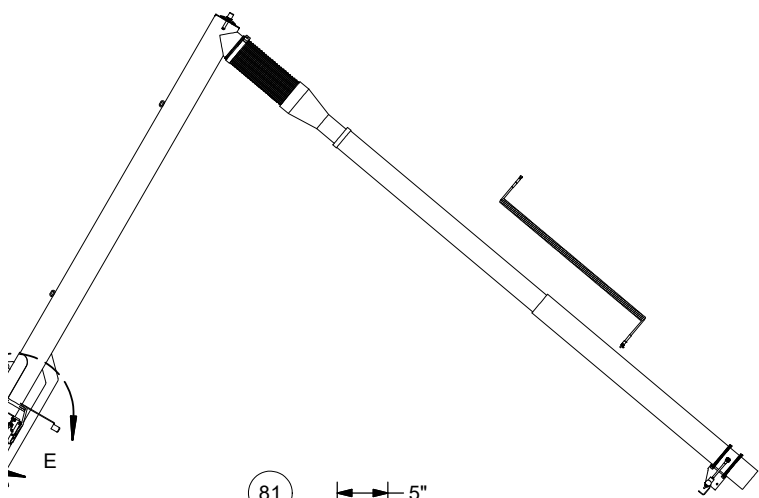


DETAIL B
SCALE 1 / 20
PASSENGER SIDE

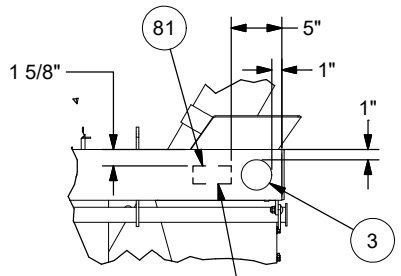
80



B

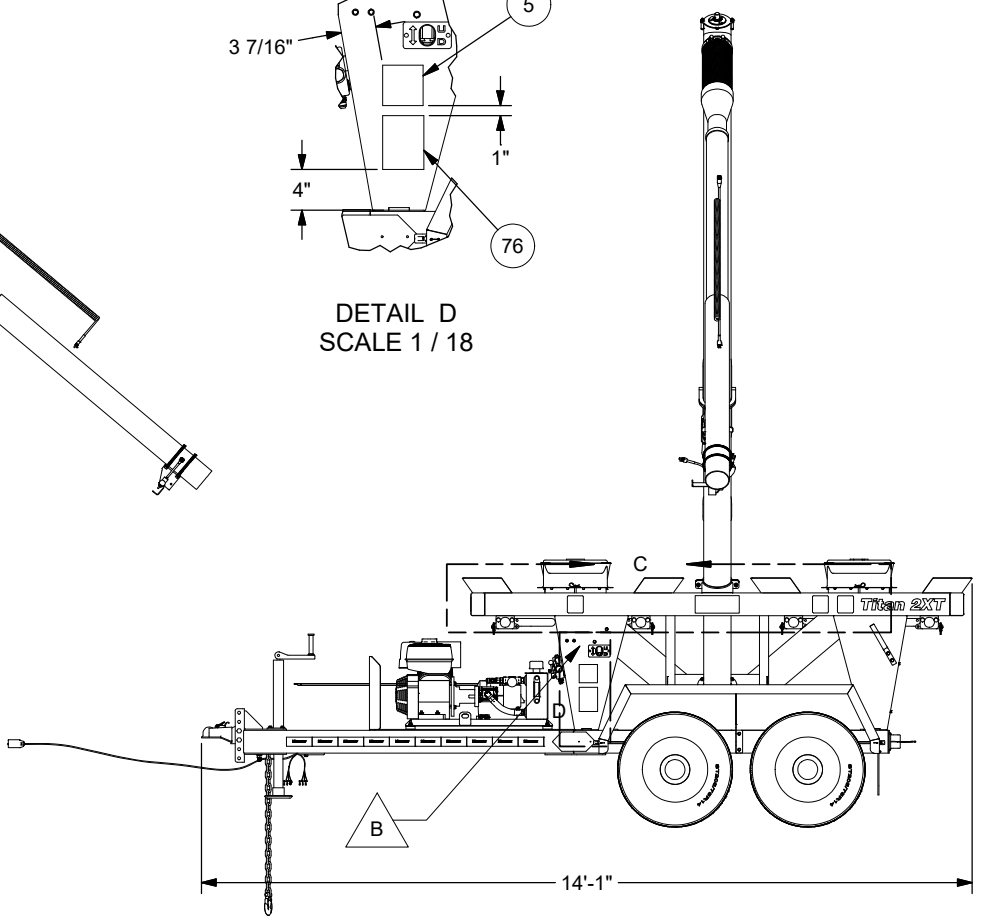


DETAIL D
SCALE 1 / 18



DETAIL A
SCALE 1 / 18

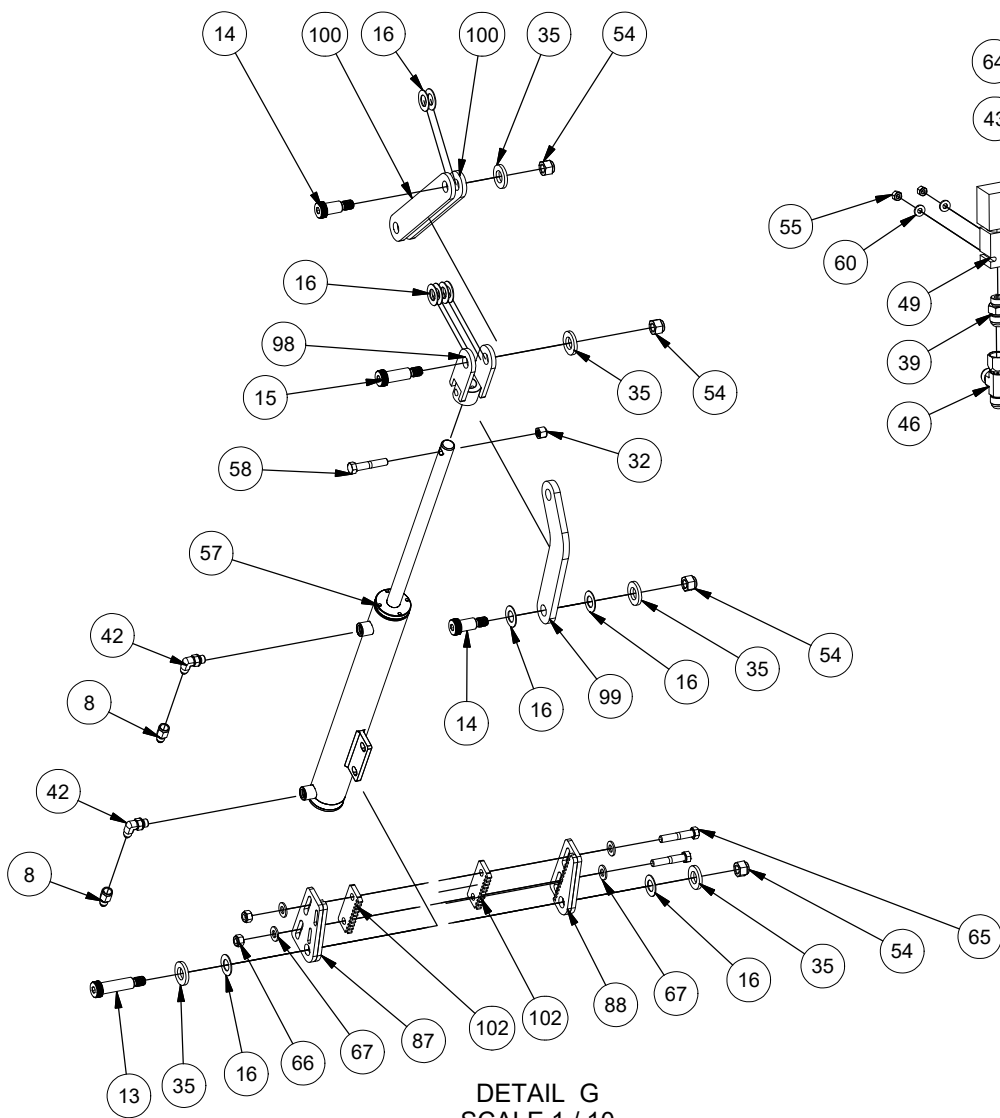
SERIAL DECAL
ON INSIDE OF
FRAME



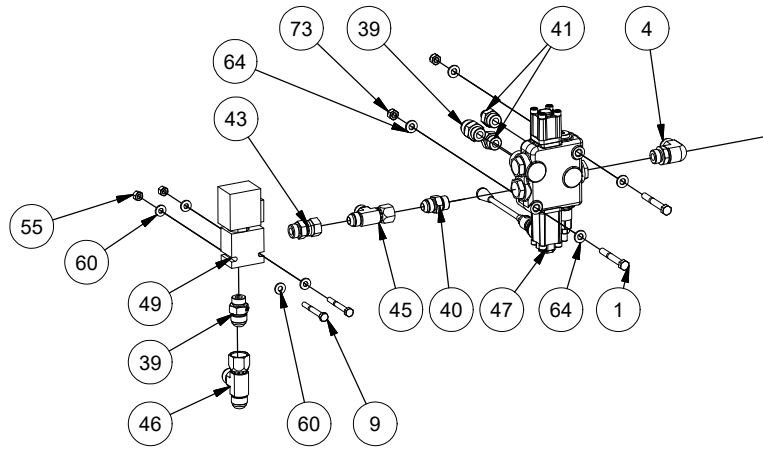
Titan 2XT

ITEM	QTY	MASS	PART #	DESCRIPTION
1	4	0.071 lbmass	10038	BOLT, HEX, 5/16-18 UNC X 2.5 Steel, Mild
2	8	0.025 lbmass	10039	BOLT, HEX, FLANGED, Steel, Mild 1/4-20 UNC X 0.875
3	1	0.003 lbmass	10235	PATENT DECAL
4	1	0.175 kg	10383	Adapter HYD Elbow 90° 7/8"-14 Male JIC 37 DEG to 3/4"-16 Male SAE Oring
5	1	0.006 lbmass	10479	Decal Built In America 4"
6	6	0.013 lbmass	10563	FENDER WASHER 3/16" x 1" OD STEEL ZINC
7	2	2.233 lbmass	10567	TENDER HOPPER BOX SEAL
8	2	0.038 lbmass	10569	ORIFICE 7/16"-20 JIC 37 DEG W/ 0.031 RESTRICTION HOLE
9	2	0.042 lbmass	10570	BOLT, HEX, 1/4-20 UNC X 2.25 Steel, Mild
10	1	14.000 lbmass	10571	PARKER HYDRAULIC MOTOR TB0080AS090AAAA
11	1	17.449 lbmass	10572	WIRE HARNESS TITAN 2 XT HYD CONTROL
12	1	6.612 lbmass	10573	AUGER LOWER FOR 6" W/CROSS HOLE
13	1	0.262 lbmass	10577	Shoulder Screw Ø5/8" x 2" L x 1/2"-13 Thread
14	2	0.175 lbmass	10578	Shoulder Screw Ø5/8" x 1" L x 1/2"-13 Thread
15	1	0.219 lbmass	10579	Shoulder Screw Ø5/8" x 1-1/2" L x 1/2"-13 Thread
16	10	0.001 kg	10580	Washer Flat Ø5/8 x 1-3/16" OD Nylon Mil. Spec.
17	1	0.858 lbmass	10581	OWNER'S MANUAL TITAN 2XT
18	1	0.406 lbmass	12131	Hose HYD Valve to Lift Cylinder Extend 1/4" x 72" L
19	1	0.483 lbmass	12132	Hose HYD Valve to Lift Cylinder Retract 1/4" x 86" L
20	1	0.807 lbmass	12133	Hose HYD Pump to Valve 1/2" x 72" L
21	1	0.545 lbmass	12134	Hose HYD Flow Control to Tank Filter 1/2" x 48" L
22	1	0.722 lbmass	12135	Hose HYD Solenoid to Tank Filter 1/2" x 64" L
23	1	0.354 lbmass	12136	Hose HYD Solenoid to Flow Control 1/2" x 30" L
24	1	0.804 lbmass	12137	Hose HYD Flow Control to Motor Port A 1/2" x 72" L
25	1	0.933 lbmass	12138	Hose HYD Flow Control to Motor Port B 1/2" x 84" L
26	1	0.102 lbmass	12140	BOLT, HEX, 3/8-16 UNC X 2.5 GRADE 8
27	2	0.157 lbmass	12572	Ø1/2-13 UNC x 2" CARRIAGE BOLT
28	2	2.395 lbmass	14020	HOPPER LID, TITAN, PLASTIC, BLACK
29	1	1.220 lbmass	14057	CURLY CORD (2-PRONG WEATHERPAK CONNECTOR)
30	1	0.139 lbmass	14058	PIGTAIL WITH POTTED SWITCH
31	4	0.064 kg	15059	BOLT, HEX, 1/2"-13 UNC x 2" GRADE 8
32	2	0.022 lbmass	17241	NYLON LOCK NUT, 3/8"-16, GRADE 8, ZINC
33	1	0.011 lbmass	17509	CRUSH - ELECTROCUTION HAZARD DECAL
34	2	0.049 lbmass	17741	BOLT, HEX, 1/4-20 UNC X 2.75 Steel, Mild
35	5	0.049 lbmass	17787	WASHER, FLAT 5/8
36	22	0.021 lbmass	17922	BOLT, HEX, FLANGED, Steel, Mild 1/4-20 UNC X 0.625
37	2	0.020 kg	17999	ADAPTER HYD 45 DEG 7/8-14 SAE ORING BOSS TO 3/4"-16 SAE 37 DEG
38	1	1.259 lbmass	18128	HOLDER FOR MANUAL OMC-1
39	2	0.011 kg	18280	ADAPTER HYD 3/4"-16 MALE SAE ORING TO 7/8"-14 MALE SAE 37 DEG
40	1	0.008 kg	18282	HYD ADAPTER 3/4-16 M SAE O-RIN BOSS TO 3/4-16 M SAE 37°
41	2	0.007 kg	18283	ADAPTE HYD 3/4"-16 MALE SAE O-RING BOSS TO 9/16"-18 MALE SAE 37 DEG
42	2	0.005 kg	18284	ADAPTER HYD ELBOW 7/16"-20 SAE ORING BOSS TO 7/16"-20 SAE 37 DEG
43	1	0.009 kg	18286	ADAPTER HYD 3/4"-16 MALE SAE ORING BOSS TO 3/4"-16 FEMALE SAE 37 DEG SWIVEL
44	2	0.009 kg	18287	ADAPTER HYD 1/2"-14 NPT TO 3/4"-16 SAE 37 DEG
45	1	0.019 kg	18289	ADAPTER HYD TEE 3/4"-16 FEMALE SAE 37° BULKHEAD, 3/4"-16 MALE SAE 37°, 3/4"-16 MALE SAE 37°
46	1	0.029 kg	18290	ADAPTER HYD TEE 7/8"-14 FEMALE SAE 37° BULKHEAD, 7/8"-14 MALE SAE 37°, 7/8"-14 MALE SAE 37°
47	1	7.232 lbmass	18293	Monoblock Valve Single Spool 1073201 M45-4-HP WCHA
48	1	9.915 lbmass	18294	FLOW CONTROL VALVE
49	1	2.820 lbmass	18295	CONVEYOR ON/OFF SOLENOID
50	1	0.018 kg	18424	ADAPTER HYD TEE 1/2"-14 NPT, 3/4"-16 SAE 37°, 3/4"-16 SAE 37°
51	1	7.219 lbmass	18716	AUGER, UPPER

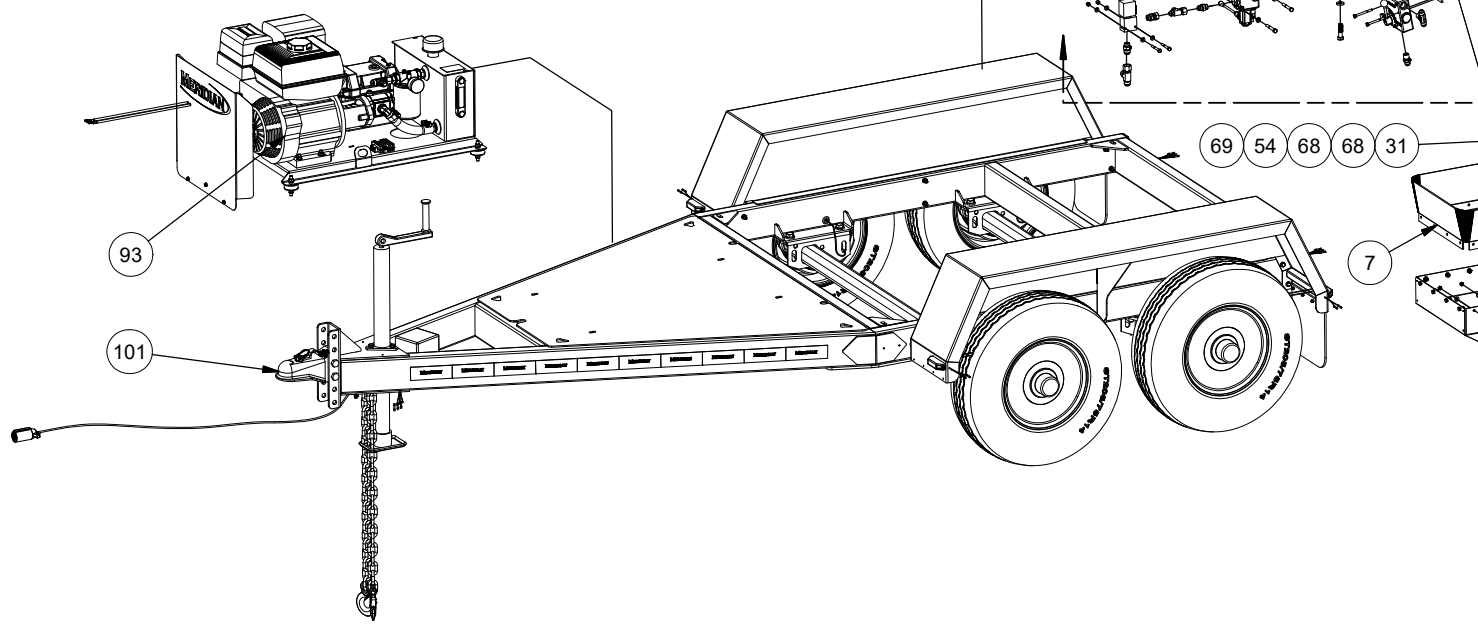
ITEM	QTY	MASS	PART #	DESCRIPTION
52	1	0.275 lbmass	19123	FOLD OVER AUGER LATCH - DESTACO 371-M-25
53	30	0.011 lbmass	19126	NUT, HEX, FLANGED, 1/4-20 UNC
54	10	0.053 lbmass	19127	Ø1/2"-13 UNC HEX NYLON LOCKNUT
55	39	0.012 lbmass	19128	Ø1/4"-20 UNC NYLON HEX NUT
56	6	0.005 lbmass	19129	RIVET Ø3/16" (.375"-.500" GRIP) SS WIDE DOME
57	1	0.000 lbmass	19149	Cylinder 2" OD x 1.5" Bore x 0.75" Rod x 12.5" Stroke
58	1	0.085 lbmass	19243	BOLT, HEX, 3/8-16 UNC X 2 Grade 8
59	3	0.023 lbmass	19301	BOLT, HEX, 1/4-20 UNC X1
60	41	0.006 lbmass	19307	WASHER, FLAT 1/4
61	4	0.031 lbmass	19309	BOLT, HEX, 5/16-18 UNC X0.75
62	3	0.034 lbmass	19316	BOLT, CARRIAGE 5/16-18 UNC X 1
63	4	0.016 lbmass	19318	NUT, HEX, FLANGED, 5/16-18 UNC
64	9	0.006 lbmass	19321	WASHER, FLAT 5/16
65	2	0.085 lbmass	19328	BOLT, HEX, 3/8-16 UNC X2
66	2	0.02058 lbmass	19347	Ø3/8"-16 UNC NYLON LOCKNUT
67	4	0.009 lbmass	19348	WASHER, FLAT 3/8
68	10	0.033 lbmass	19372	WASHER, FLAT 1/2
69	4	0.014 lbmass	19373	Ø1/2" LOCK WASHER
70	32	0.019 lbmass	19560	BOLT, HEX, 1/4-20 UNC X0.75
71	6	0.023 lbmass	19564	NUT, HEX, FLANGED, 3/8-16 UNC
72	6	0.069 lbmass	19569	BOLT, HEX, FLANGED, 3/8-16 UNC X 1
73	7	0.01468 lbmass	19586	Ø5/16"-18 UNC NYLON LOCK NUT
74	4	0.017 lbmass	19594	HAIRPIN COTTER PIN
75	1	0.056 lbmass	19693	PIN, SNAP, ZINC 1/4" x 1 3/8"
76	1	0.012 lbmass	19934	DECAL CAUTION READ MANUAL
77	1	0.003 lbmass	19935	PINCH POINT HAZARD DECAL
78	2	0.005 lbmass	19936	DECAL ROTATING PART HAZARD
79	2	0.009 lbmass	19938	Decal Warning Upending Hazard
80	4	0.007 lbmass	19956	DECAL WARNING PINCH POINT BOX
81	1	0.002 lbmass	19984	SERIAL NUMBER DECAL
82	1	1.345 lbmass	21240-04	THROTTLE HANDLE (6 1/4") BLACK
83	1	0.399 lbmass	21258-00	BEARING
84	2	0.258 lbmass	21259-00	52mm BEARING FLANGE
85	2	0.101 lbmass	21433-00 - (SL)	HOSE CLAMP - 6IN LIGHT DUTY
86	1	0.468 lbmass	26420	PLATE SPACER FLOW CONTROL 242
87	1	0.749 lbmass	31767	CYLINDER ADJUSTMENT CLAMP RIGHT
88	1	0.749 lbmass	31768	CYLINDER ADJUSTMENT CLAMP LEFT
89	1	0.239 lbmass	32324	HOSE HYD VALVE JUMPER 1/2"
90	1	31.196 lbmass	38530-00	SPOUT 6 IN 3 TIER
91	1	14.609 lbmass	40679	AUGER INTAKE PAINTED BLACK
92	2	26.632 lbmass	40680	HOPPER - TITAN 2 XT PAINTED BLACK
93	1	158.845 lbmass	41178	POWERPACK ASSEMBLY TITAN 2 XT
94	1	0.967 lbmass	42613	Ø6" TOP BEARING CAP - PAINTED BLACK
95	1	658.096 lbmass	42614	MODULE ASSEMBLY TITAN 2XT
96	1	64.070 lbmass	42626	TOP AUGER TUBE TITAN 2XT - PAINTED BLACK
97	1	45.990 lbmass	42627	LOWER AUGER TUBE TITAN 2XT - PAINTED BLACK
98	1	0.836 lbmass	42628	CLEVIS ROD END - PAINTED BLACK
99	1	1.317 lbmass	42629	ANGLED LINKAGE - PAINTED BLACK
100	2	0.853 lbmass	42631	LINKAGE - PAINTED BLACK
101	1	1002.172 lbmass	43127	TRAILER ASSEMBLY TITAN 2 XT STL
102	2	0.217 lbmass	51804	CYLINDER ADJUSTMENT BRACKET

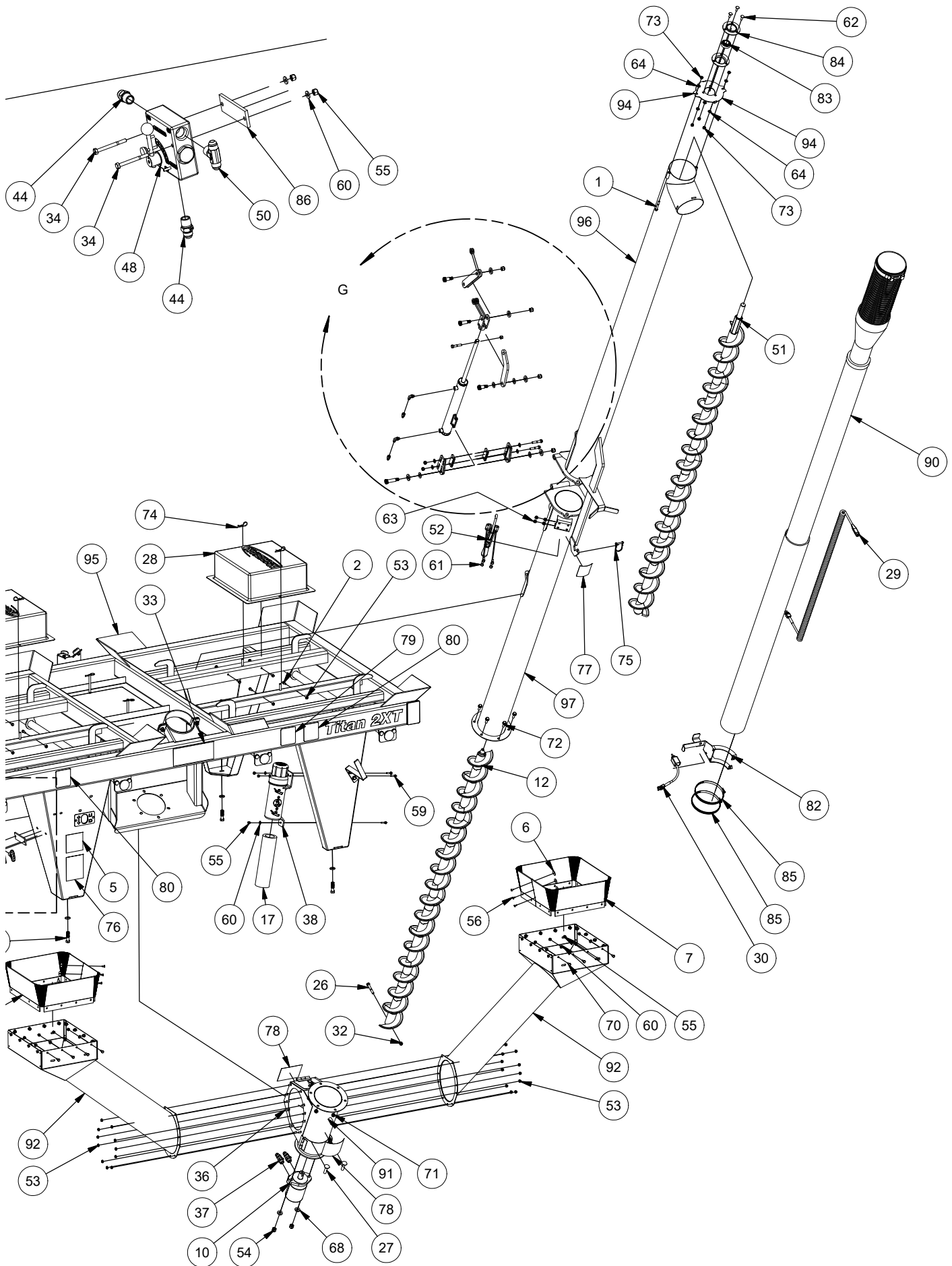


DETAIL G
SCALE 1 / 10

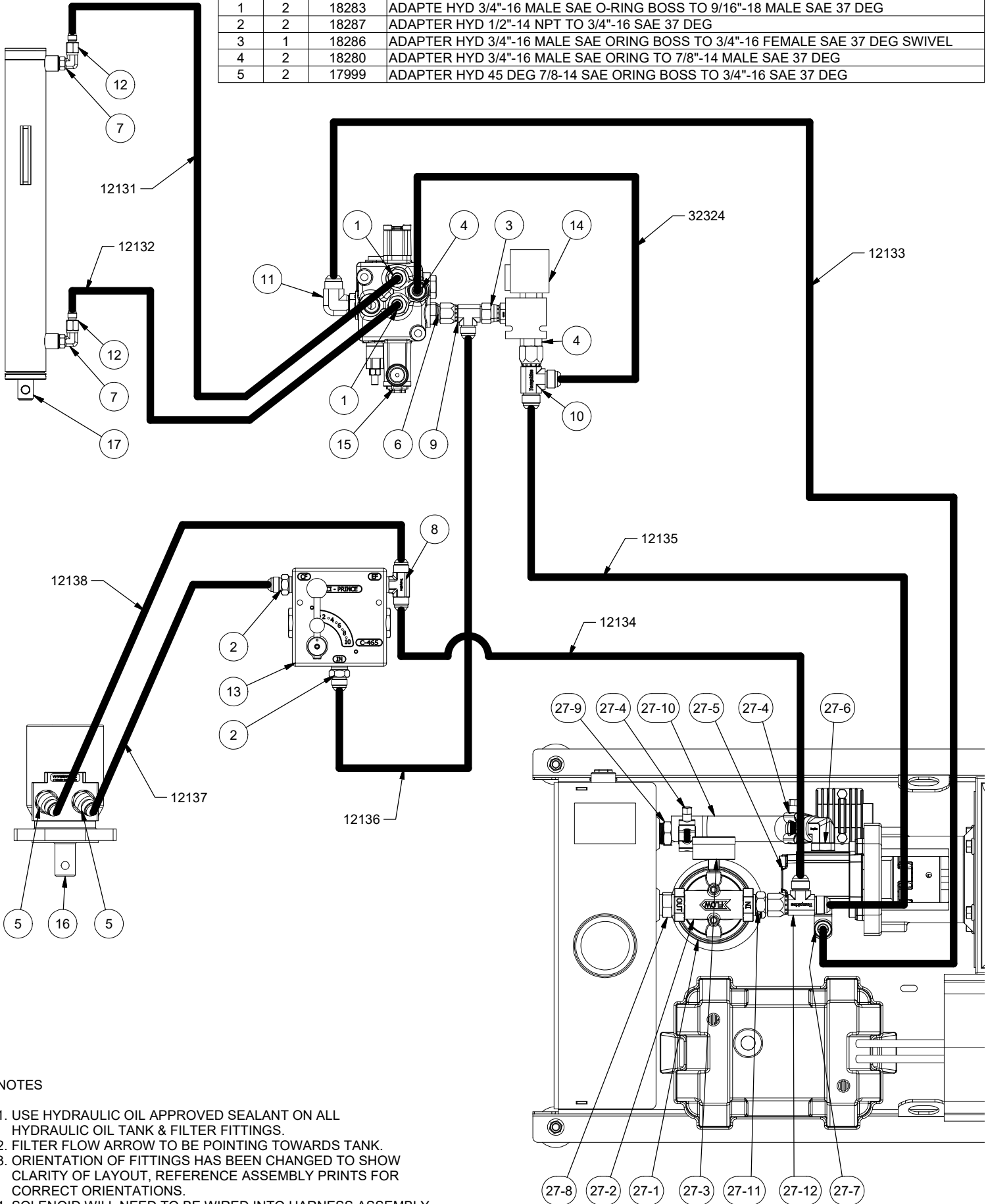


DETAIL H
SCALE 1 / 10





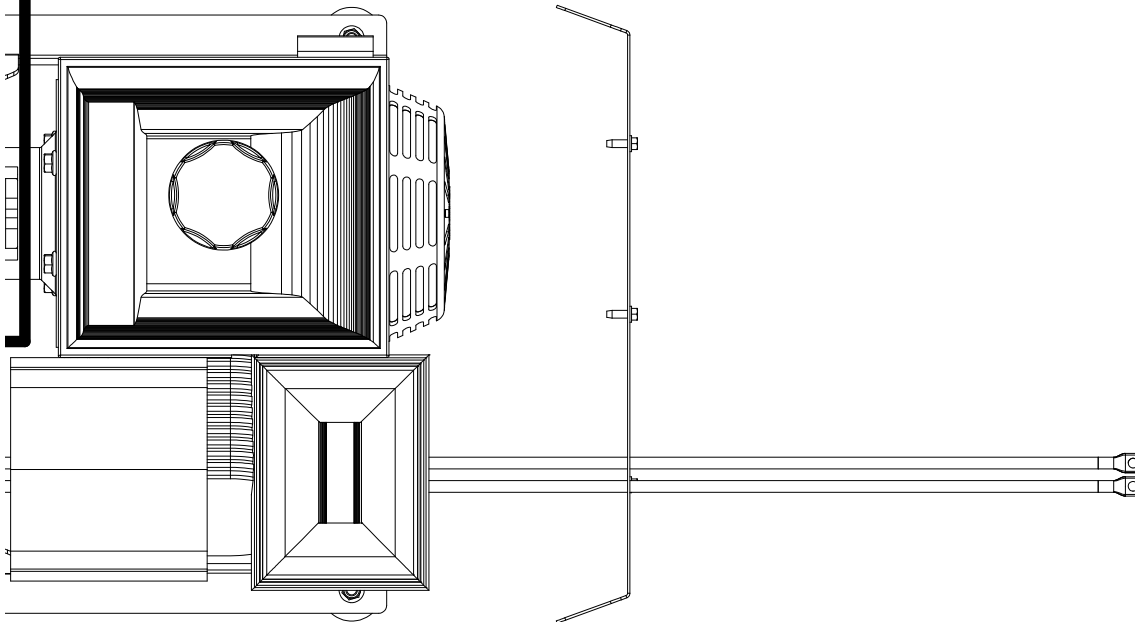
ITEM	QTY	PART #	DESCRIPTION
1	2	18283	ADAPTE HYD 3/4"-16 MALE SAE O-RING BOSS TO 9/16"-18 MALE SAE 37 DEG
2	2	18287	ADAPTER HYD 1/2"-14 NPT TO 3/4"-16 SAE 37 DEG
3	1	18286	ADAPTER HYD 3/4"-16 MALE SAE ORING BOSS TO 3/4"-16 FEMALE SAE 37 DEG SWIVEL
4	2	18280	ADAPTER HYD 3/4"-16 MALE SAE ORING TO 7/8"-14 MALE SAE 37 DEG
5	2	17999	ADAPTER HYD 45 DEG 7/8-14 SAE ORING BOSS TO 3/4"-16 SAE 37 DEG



NOTES

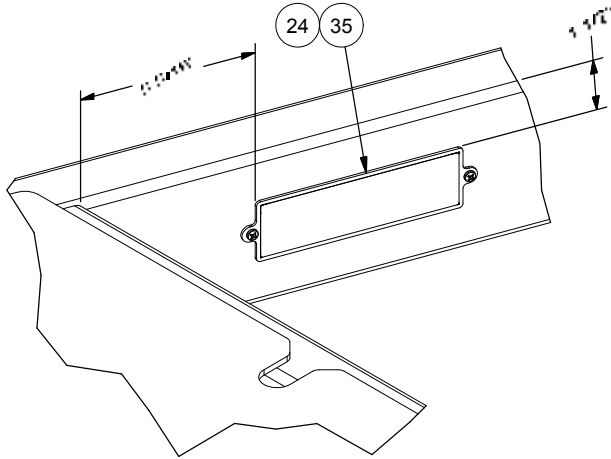
1. USE HYDRAULIC OIL APPROVED SEALANT ON ALL HYDRAULIC OIL TANK & FILTER FITTINGS.
2. FILTER FLOW ARROW TO BE POINTING TOWARDS TANK.
3. ORIENTATION OF FITTINGS HAS BEEN CHANGED TO SHOW CLARITY OF LAYOUT, REFERENCE ASSEMBLY PRINTS FOR CORRECT ORIENTATIONS.
4. SOLENOID WILL NEED TO BE WIRED INTO HARNESS ASSEMBLY.
5. MOTOR/AUGER TO SPIN CLOCKWISE WHEN ACTIVATED.

ITEM	QTY	PART #	DESCRIPTION
6	1	18282	HYD ADAPTER 3/4-16 M SAE O-RIN BOSS TO 3/4-16 M SAE 37°
7	2	18284	ADAPTER HYD ELBOW 7/16"-20 SAE ORING BOSS TO 7/16"-20 SAE 37 DEG
8	1	18424	ADAPTER HYD TEE 1/2"-14 NPT, 3/4"-16 SAE 37°, 3/4"-16 SAE 37°
9	1	18289	ADAPTER HYD TEE 3/4"-16 FEMALE SAE 37° BULKHEAD, 3/4"-16 MALE SAE 37°, 3/4"-16 MALE SAE 37°
10	1	18290	ADAPTER HYD TEE 7/8"-14 FEMALE SAE 37° BULKHEAD, 7/8"-14 MALE SAE 37°, 7/8"-14 MALE SAE 37°
11	1	10383	Adapter HYD Elbow 90° 7/8"-14 Male JIC 37 DEG to 3/4"-16 Male SAE Oring
12	2	10569	ORIFICE 7/16"-20 JIC 37 DEG W/ 0.031 RESTRICTION HOLE
13	1	18294	FLOW CONTROL VALVE
14	1	18295	CONVEYOR ON/OFF SOLENOID
15	1	18293	Monoblock Valve Single Spool 1073201 M45-4-HP WCHA
16	1	10571	PARKER HYDRAULIC MOTOR TB0080AS090AAAA
17	1	19149	Cylinder 2" OD x 1.5" Bore x 0.75" Rod x 12.5" Stroke
18	1	32324	HOSE HYD VALVE JUMPER 1/2"
19	1	12137	Hose HYD Flow Control to Motor Port A 1/2" x 72" L
20	1	12138	Hose HYD Flow Control to Motor Port B 1/2" x 84" L
21	1	12134	Hose HYD Flow Control to Tank Filter 1/2" x 48" L
22	1	12133	Hose HYD Pump to Valve 1/2" x 72" L
23	1	12136	Hose HYD Solenoid to Flow Control 1/2" x 30" L
24	1	12135	Hose HYD Solenoid to Tank Filter 1/2" x 64" L
25	1	12131	Hose HYD Valve to Lift Cylinder Extend 1/4" x 72" L
26	1	12132	Hose HYD Valve to Lift Cylinder Retract 1/4" x 86" L
27	1	41178	POWERPACK ASSEMBLY TITAN 2 XT
27-1	1	17706	FILTER, HYD, 3/4" NPT, 10 MICRON, F3653-10C
27-2	1	17005	HEAD, FILTER, 3/4" NPT, ZAF-07-25-1-3
27-3	1	17006	GAUGE, FILTER HEAD, 1/8" NPT, PG-20
27-4	2	10186	CLAMP T-BOLT 1 5/32"-1 15/32" KURIYAMA TBC-SS031
27-5	1	10332	PUMP 9.3 CC/REV
27-6	1	10380	Adapter HYD 90° Elbow 7/8"-14 Male SAE Oring to 3/4" Beaded Hose Stem
27-7	1	10383	Adapter HYD Elbow 90° 7/8"-14 Male JIC 37 DEG to 3/4"-16 Male SAE Oring
27-8	1	10538	Hex Pipe Nipple 3/4"-14 Male NPT x 3/4"-14 Male NPT
27-9	1	10566	Hose Barb 3/4" NPT Male x 3/4" Hose ID Steel Zinc
27-10	1	51751	Hose Hydraulic Tank to Pump 8.5" Long
27-11	1	18422	ADAPTER HYD 3/4"-14 NPT TO 7/8"-14 SAE 37 DEG
27-12	1	18290	ADAPTER HYD TEE 7/8"-14 FEMALE SAE 37° BULKHEAD, 7/8"-14 MALE SAE 37°, 7/8"-14 MALE SAE 37°

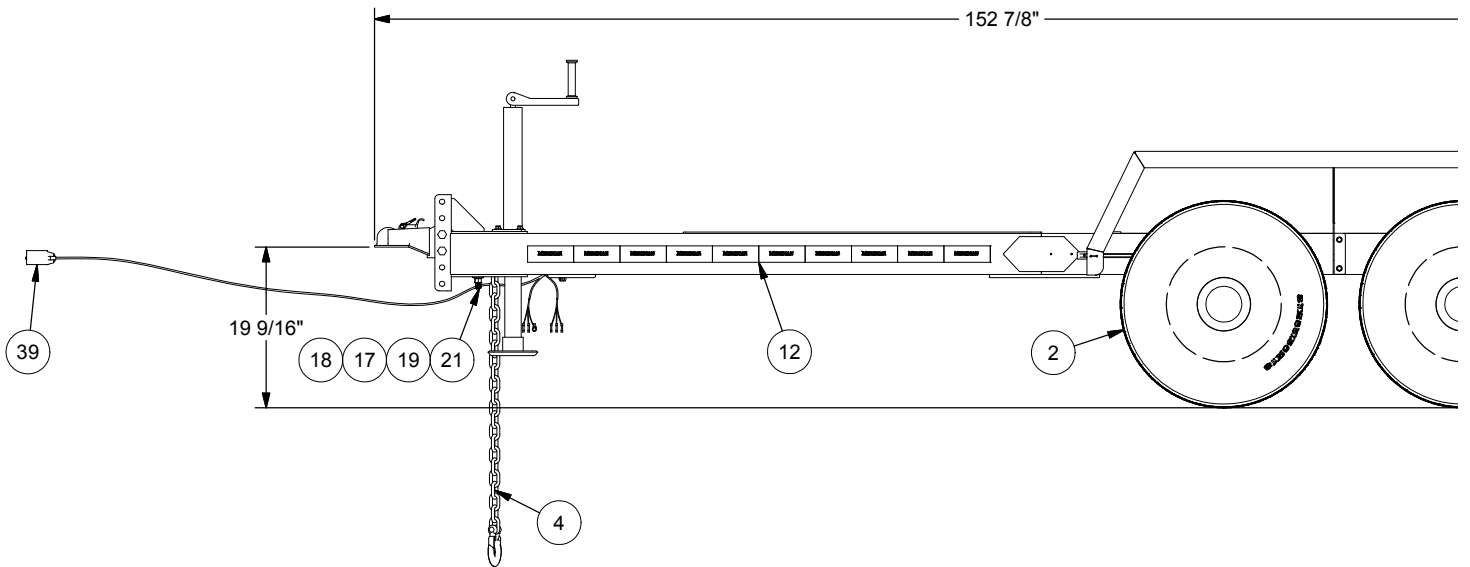
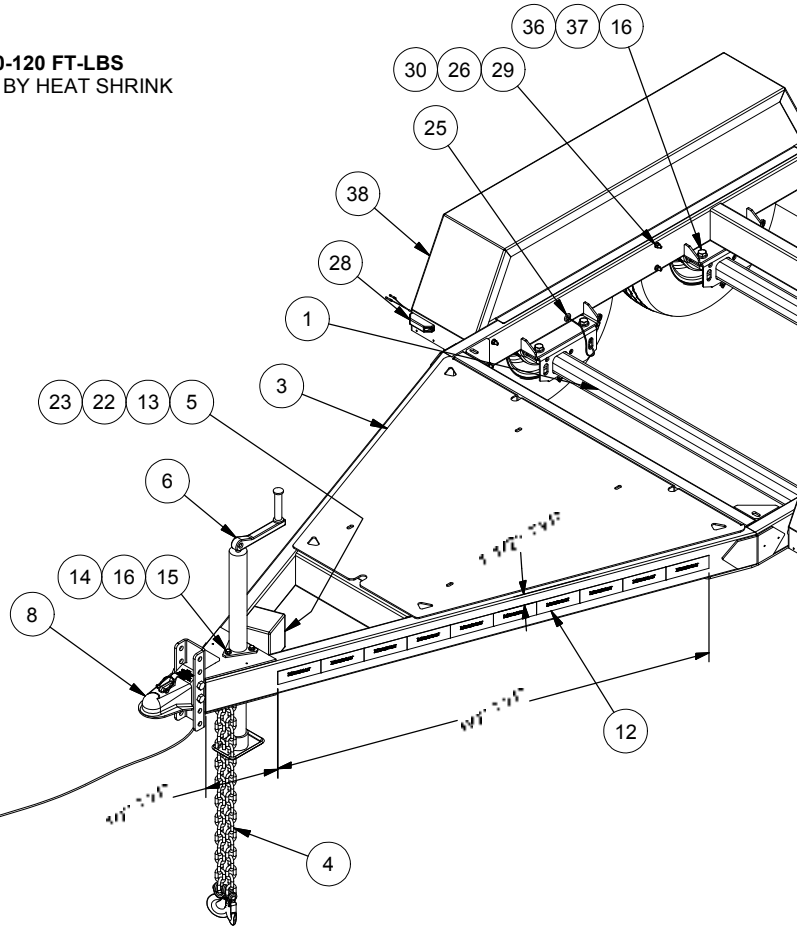


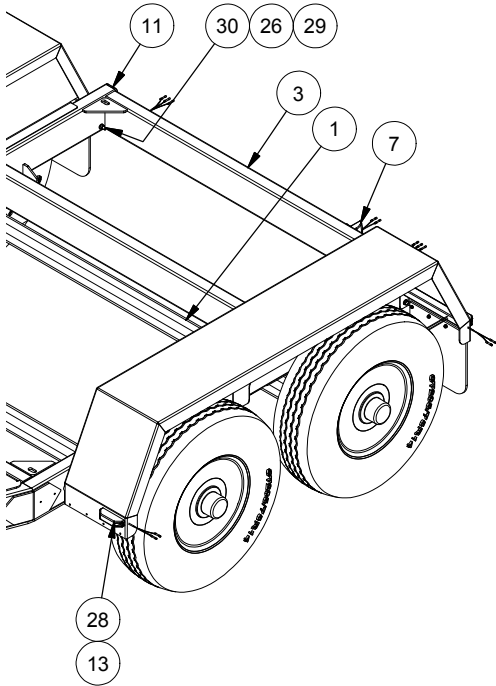
PRODUCTION NOTES:

1. WIRE HARNESS NOT SHOWN
2. TORQUE WHEEL LUGNUTS IN A STAR PATTERN: TORQUE RANGE IS **90-120 FT-LBS**
3. ALL MERIDIAN MADE ELECTRICAL CONNECTIONS MUST BE COVERED BY HEAT SHRINK
4. SEE PAGE 2 FOR EXPLODED VIEWS

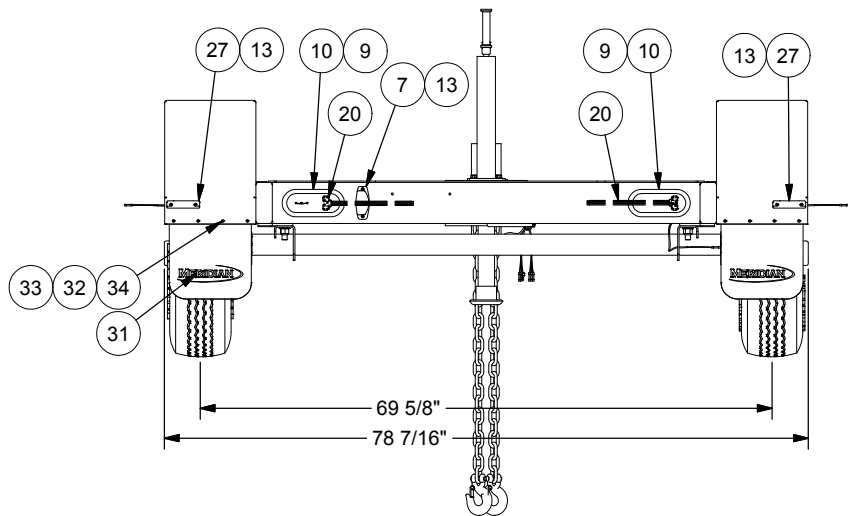
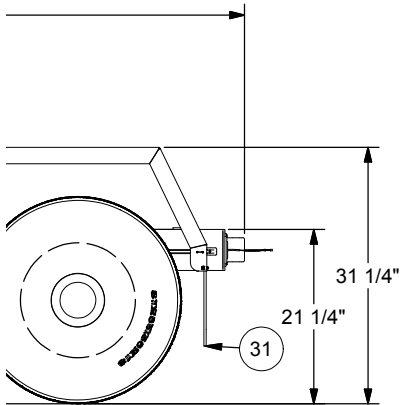


DETAIL A
SCALE 1 / 5

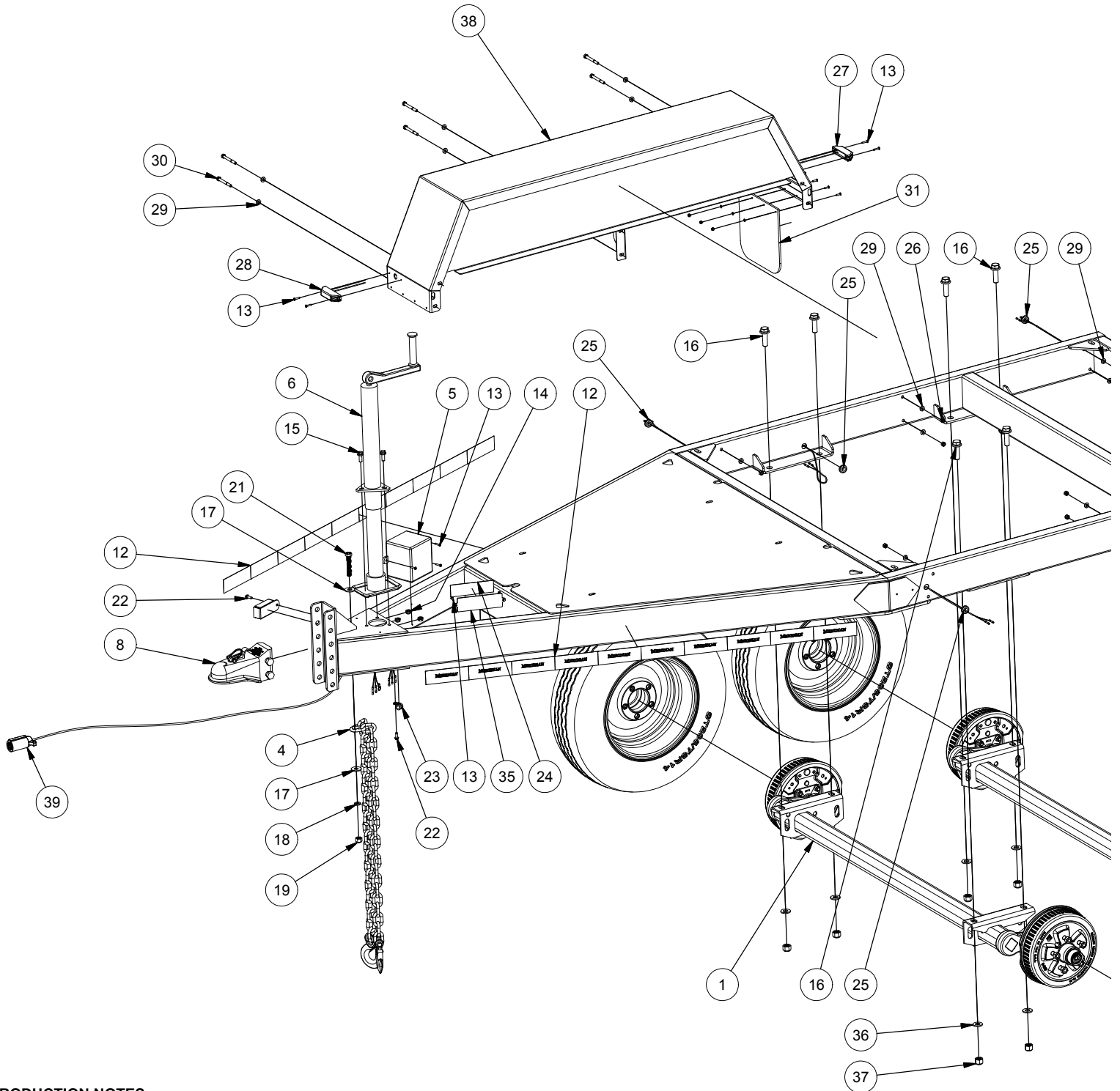




ITEM	QTY	MASS	PART #	DESCRIPTION
1	2	153.310 lbmass	10564	AXLE, 3500#, 8in, 49.125" CL to CL, 10 DEG DOWN
2	4	40.000 lbmass	14209	WHEEL, ASSEMBLY, STEEL, WHITE, 14 in, 5 LUG
3	1	347.095 lbmass	43128	TRAILER PAINTED TITAN 2 XT BLACK
4	2	4.897 lbmass	19171	3/8" x 35", GRADE 70 SAFETY CHAIN (26400# CAPACITY)
5	1	3.703 lbmass	19275	BATTERY BREAKAWAY BA10-150
6	1	37.477 lbmass	18192	TOP WIND A-FRAME JACK (5000 lb CAP)
7	1	0.073 lbmass	17674	LIGHT, LICENSE PLATE, SAE L 02, KAPER II
8	1	22.667 lbmass	24688	COUPLER HITCH ASSM. 2 5/16" W/SFTY PIN
9	2	0.552 lbmass	17670	TAIL LIGHT LED OVAL RED (TRUCK-LITE 6050)
10	2	0.128 lbmass	17671	GROMMET TAIL LIGHT (TRUCK-LITE 60700)
11	2	0.263 lbmass	19619	5" x 2" TUBE PLUG
12	10 ft	0.033 lbmass	18096	Tape Reflective Meridian 2x6x6
13	15	0.003 kg	19779	#8-18 x 3/4" SELF DRILLING ZINC SCREW
14	3	0.023 lbmass	19564	NUT, HEX, FLANGED, 3/8-16 UNC
15	3	0.069 lbmass	19569	BOLT, HEX, FLANGED, 3/8-16 UNC X 1
16	8	0.340 lbmass	19567	BOLT, HEX, FLANGED, 5/8-11 UNC X 2 GRADE 8
17	2	0.038 lbmass	18487	Washer, 1/2 - wide - Type A Steel, Mild
18	1	0.014 lbmass	19373	Ø1/2" LOCK WASHER
19	1	0.051 lbmass	17234	NYLON LOCK NUT, 1/2"-13, GRADE 8, ZINC
20	2	0.035 lbmass	10045	PLUG, S/T/T, 11" (TRUCK-LITE 94993-3)
21	1	0.183 lbmass	10278	BOLT HEX 1/2"-13 FULL x 3" L GRADE 5 ZINC
22	2	0.019 lbmass	19597	Ø1/4"-14 x 3/4" HEX WASHER HEAD SELF DRILLING SCREW
23	1	0.045 lbmass	18679	CLAMP CUSHIONED LOOP (1/2")
24	1	0.002 lbmass	17532	DECAL, TRAILER VIN# TEMPLATE
25	6	0.007 lbmass	14021	GROMMET 9307K62 for TRAILERS
26	12	0.01468 lbmass	19586	Ø5/16"-18 UNC NYLON LOCK NUT
27	2	0.113 lbmass	17669	RED CLEARANCE LIGHT LED (TRUCK-LITE 3550)
28	2	0.113 lbmass	17668	YEL CLEARANCE LIGHT LED (TRUCK-LITE 3550A)
29	24	0.006 lbmass	19321	WASHER, FLAT 5/16
30	12	0.083 lbmass	19314	BOLT, HEX, 5/16-18 UNC X3
31	2	0.824 lbmass	19274	Mud Flap, 10"x10"x1/4" THK, w/MERIDIAN LOGO
32	8	0.001 lbmass	19629	WASHER, FLAT, #8
33	8	0.005 lbmass	19112	#8-32 UNC HEX NYLON NUT
34	8	0.005 lbmass	19141	Screw #8-32 UNF x 5/8 Round Head Pan
35	1	0.292 lbmass	55206	Vin Tag Mount Plate Stainless
36	8	0.035 lbmass	10283	5/8" FLAT WASHER GR. 8
37	8	0.100 lbmass	10285	5/8-11 UNC LOCKNUT GR. 8
38	2	51.581 lbmass	43129	FENDER TANDEM 11" WIDE PAINTED - BLACK
39	1	0.275 lbmass	10565	WIRE HARNESS TRAILER TITAN 2XT
---	10FT		19136	1/2" SPLIT LOOM (NOT SHOWN)
---	8FT		17019	1/2" HEAT SHRINK POLYOLEFIN BLACK 2:1 WAYTECH 22438C (NOT SHOWN)



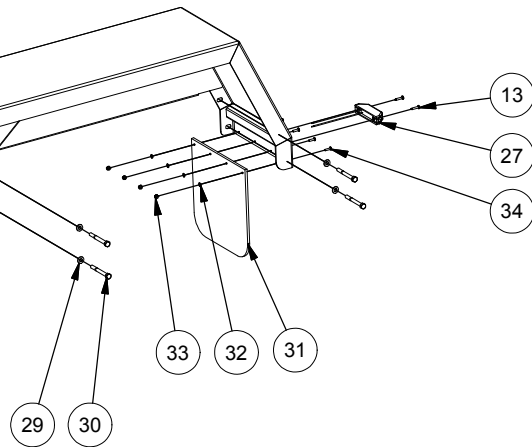
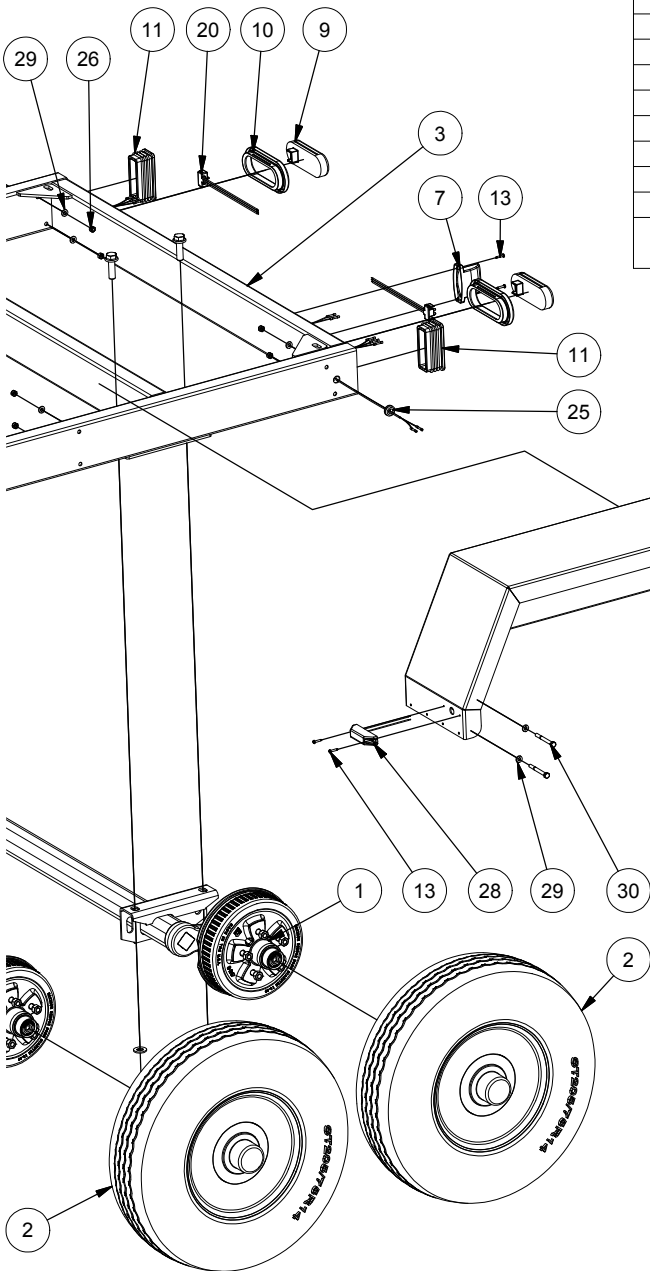
ITEM	QTY	MASS	PART #	DESCRIPTION
1	2	153.310 lbmass	10564	AXLE, 3500#, 8in, 49.125" CL to CL, 10 DEG DOWN
2	4	40.000 lbmass	14209	WHEEL, ASSEMBLY, STEEL, WHITE, 14 in, 5 LUG
3	1	347.095 lbmass	43128	TRAILER PAINTED TITAN 2 XT BLACK
4	2	4.897 lbmass	19171	3/8" x 35" , GRADE 70 SAFETY CHAIN (26400# CAPACITY)
5	1	3.703 lbmass	19275	BATTERY BREAKAWAY BA10-150
6	1	37.477 lbmass	18192	TOP WIND A-FRAME JACK (5000 lb CAP)
7	1	0.073 lbmass	17674	LIGHT, LICENSE PLATE, SAE L 02, KAPER II
8	1	22.667 lbmass	24688	COUPLER HITCH ASSM. 2 5/16" W/SFTY PIN
9	2	0.552 lbmass	17670	TAIL LIGHT LED OVAL RED (TRUCK-LITE 6050)
10	2	0.128 lbmass	17671	GROMMET TAIL LIGHT (TRUCK-LITE 60700)



PRODUCTION NOTES:

1. WIRE HARNESS NOT SHOWN
2. TORQUE WHEEL LUGNUTS IN A STAR PATTERN: TORQUE RANGE IS 90-120 FT-LBS
3. ALL MERIDIAN MADE ELECTRICAL CONNECTIONS MUST BE COVERED BY HEAT SHRINK

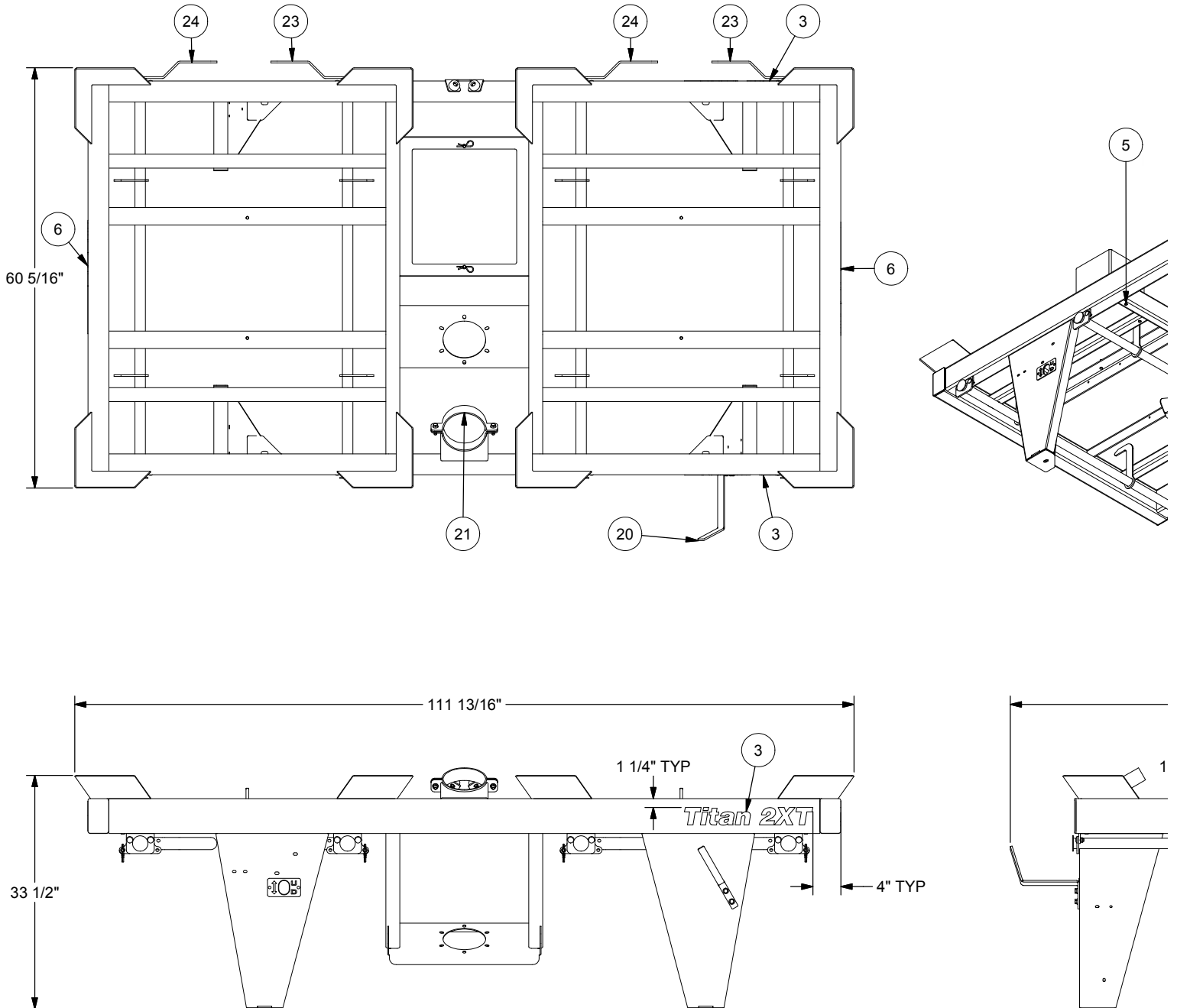
ITEM	QTY	MASS	PART #	DESCRIPTION
11	2	0.263 lbmass	19619	5" x 2" TUBE PLUG
12	10 ft	0.033 lbmass	18096	Tape Reflective Meridian 2x6x6
13	15	0.003 kg	19779	#8-18 x 3/4" SELF DRILLING ZINC SCREW
14	3	0.023 lbmass	19564	NUT, HEX, FLANGED, 3/8-16 UNC
15	3	0.069 lbmass	19569	BOLT, HEX, FLANGED, 3/8-16 UNC X 1
16	8	0.340 lbmass	19567	BOLT, HEX, FLANGED, 5/8-11 UNC X 2 GRADE 8
17	2	0.038 lbmass	18487	Washer, 1/2 - wide - Type A Steel, Mild
18	1	0.014 lbmass	19373	Ø1/2" LOCK WASHER
19	1	0.051 lbmass	17234	NYLON LOCK NUT, 1/2"-13, GRADE 8, ZINC
20	2	0.035 lbmass	10045	PLUG, S/T/T, 11" (TRUCK-LITE 94993-3)
21	1	0.183 lbmass	10278	BOLT HEX 1/2"-13 FULL x 3" L GRADE 5 ZINC
22	2	0.019 lbmass	19597	Ø1/4"-14 x 3/4" HEX WASHER HEAD SELF DRILLING SCREW
23	1	0.045 lbmass	18679	CLAMP CUSHIONED LOOP (1/2")
24	1	0.002 lbmass	17532	DECAL, TRAILER VIN# TEMPLATE
25	6	0.007 lbmass	14021	GROMMET 9307K62 for TRAILERS
26	12	0.01468 lbmass	19586	Ø5/16"-18 UNC NYLON LOCK NUT
27	2	0.113 lbmass	17669	RED CLEARANCE LIGHT LED (TRUCK-LITE 3550)
28	2	0.113 lbmass	17668	YEL CLEARANCE LIGHT LED (TRUCK-LITE 3550A)
29	24	0.006 lbmass	19321	WASHER, FLAT 5/16
30	12	0.083 lbmass	19314	BOLT, HEX, 5/16-18 UNC X3
31	2	0.824 lbmass	19274	Mud Flap, 10"x10"x1/4" THK, w/MERIDIAN LOGO
32	8	0.001 lbmass	19629	WASHER, FLAT, #8
33	8	0.005 lbmass	19112	#8-32 UNC HEX NYLON NUT
34	8	0.005 lbmass	19141	Screw #8-32 UNF x 5/8 Round Head Pan
35	1	0.292 lbmass	55206	Vin Tag Mount Plate Stainless
36	8	0.035 lbmass	10283	5/8" FLAT WASHER GR. 8
37	8	0.100 lbmass	10285	5/8-11 UNC LOCKNUT GR. 8
38	2	51.581 lbmass	43129	FENDER TANDEM 11" WIDE PAINTED - BLACK
39	1	0.275 lbmass	10565	WIRE HARNESS TRAILER TITAN 2XT
---	10FT		19136	1/2" SPLIT LOOM (NOT SHOWN)
---	8FT		17019	1/2" HEAT SHRINK POLYOLEFIN BLACK 2:1 WAYTECH 22438C (NOT SHOWN)



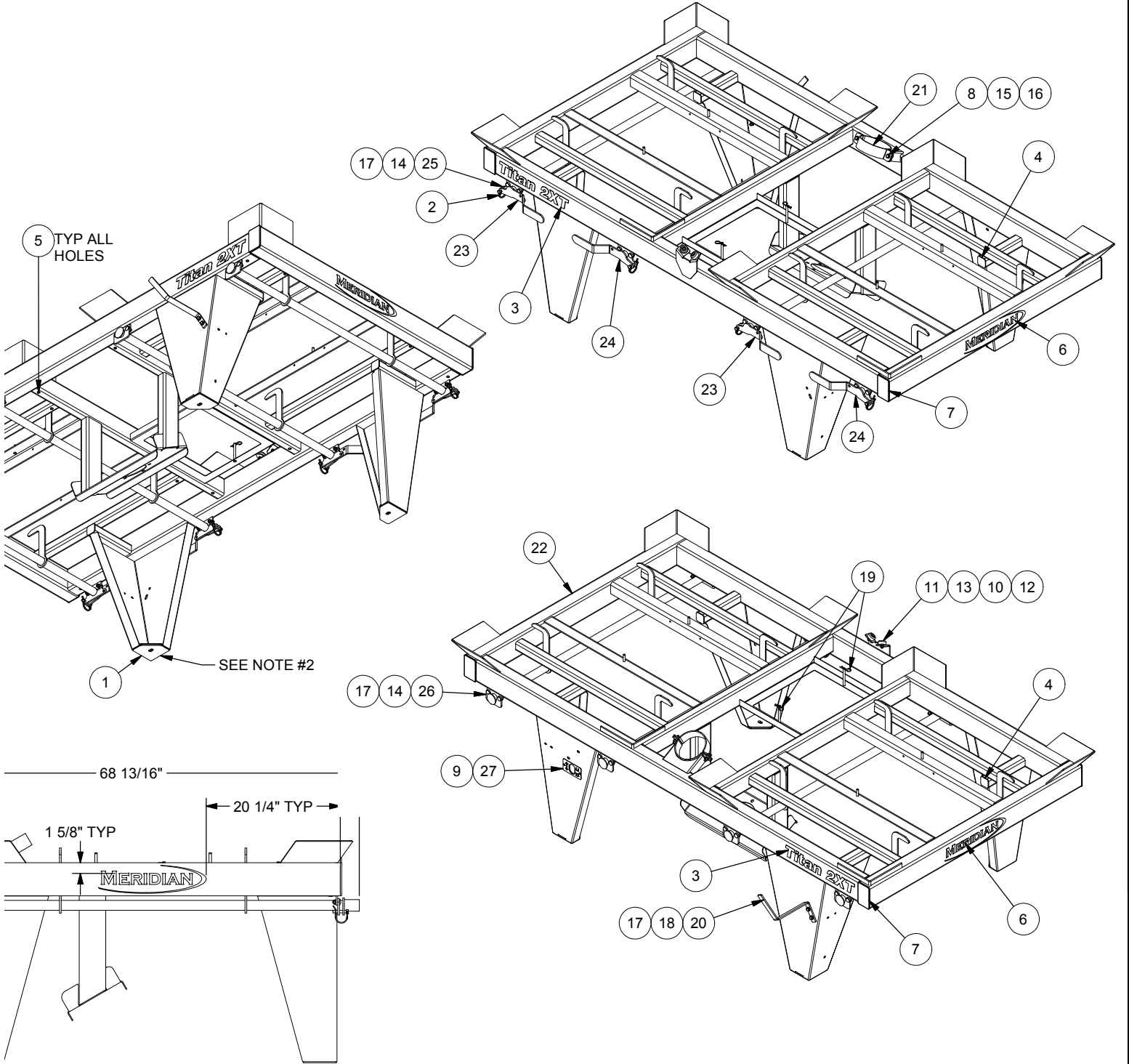
ITEM	QTY	MASS	PART #	DESCRIPTION
1	4	0.130 lbmass	10568	VIBRATION REDUCER PAD
2	4	0.129 lbmass	10574	PIN, SNAP, ZINC 3/8" X 1 3/8"
3	2	0.026 lbmass	12139	TITAN 2 XT DECAL
4	4	0.112 lbmass	14413	2 x 2 x 0.188 TUBE PLUG
5	16	0.002 lbmass	17255	PLUG TUBE ROUND Ø1/2" (16-20GA) (.065"-.035")
6	2	0.015 lbmass	17728	MERIDIAN TRAILER BLACK DECAL
7	4	0.170 lbmass	18420	PLASTIC PLUG FOR 5" x 3" x .188 WALL RECT TBG
8	2	0.077 lbmass	18680	BOLT, HEX, FLANGED, Steel, Mild 3/8-16 UNC X 1.25
9	2	0.009 lbmass	19089	RIVET Ø3/16" (.059"-.354" GRIP) CLOSED END SS
10	2	0.012 lbmass	19128	Ø1/4"-20 UNC NYLON HEX NUT
11	2	0.035 lbmass	19133	RUBBER BUMPER
12	2	0.023 lbmass	19301	BOLT, HEX, 1/4-20 UNC X1
13	2	0.006 lbmass	19307	WASHER, FLAT 1/4

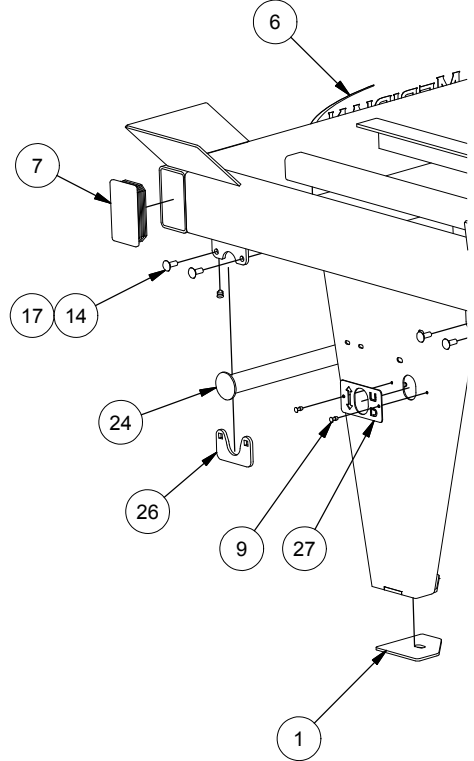
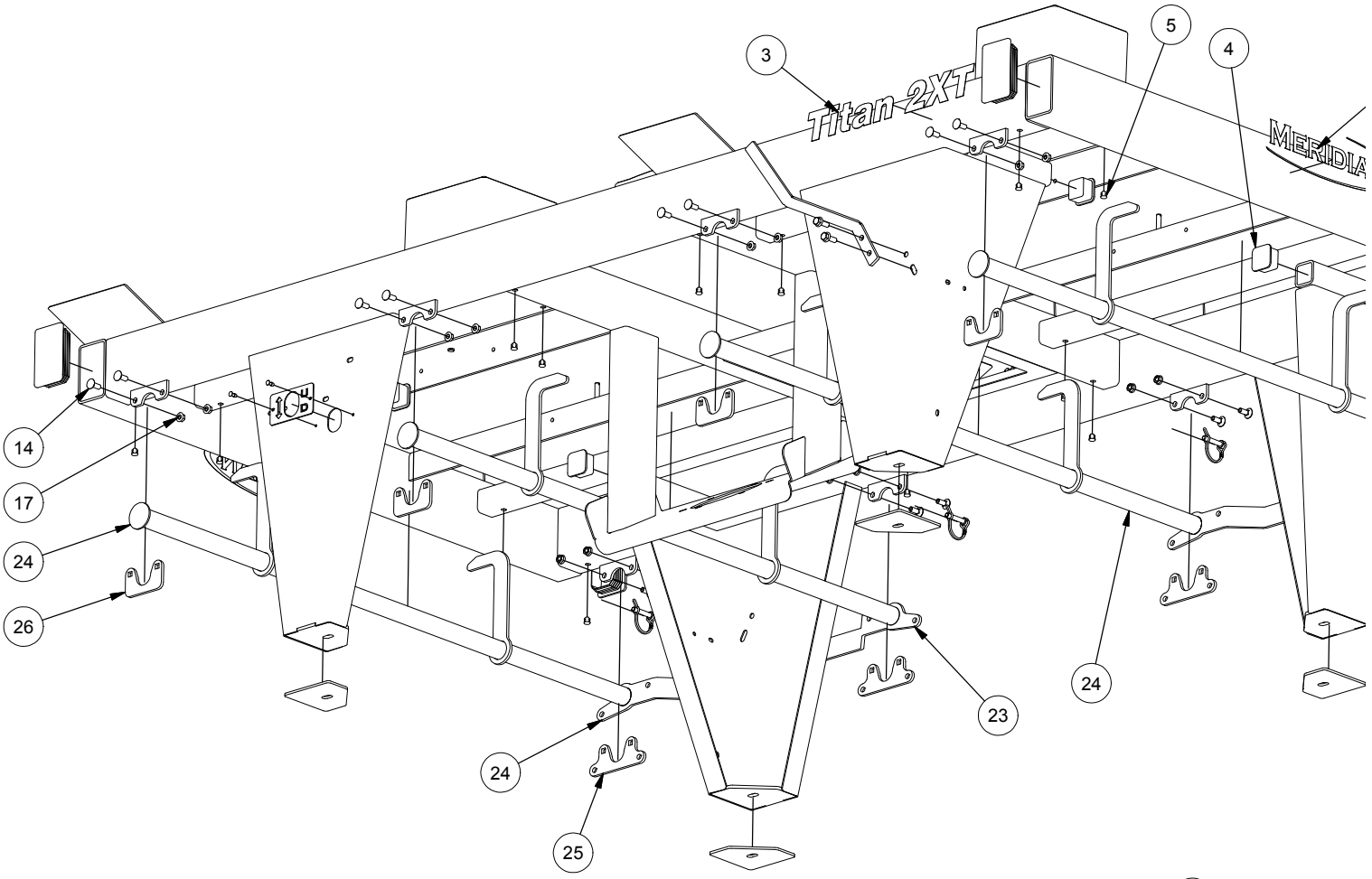
NOTES

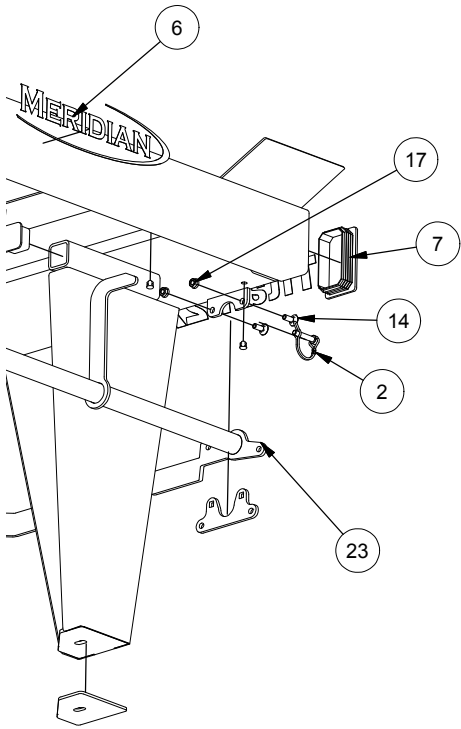
1. SEE PAGE 2 FOR EXPLODED VIEWS
2. USE ADHESIVE TO INSTALL VIBRATION PADS



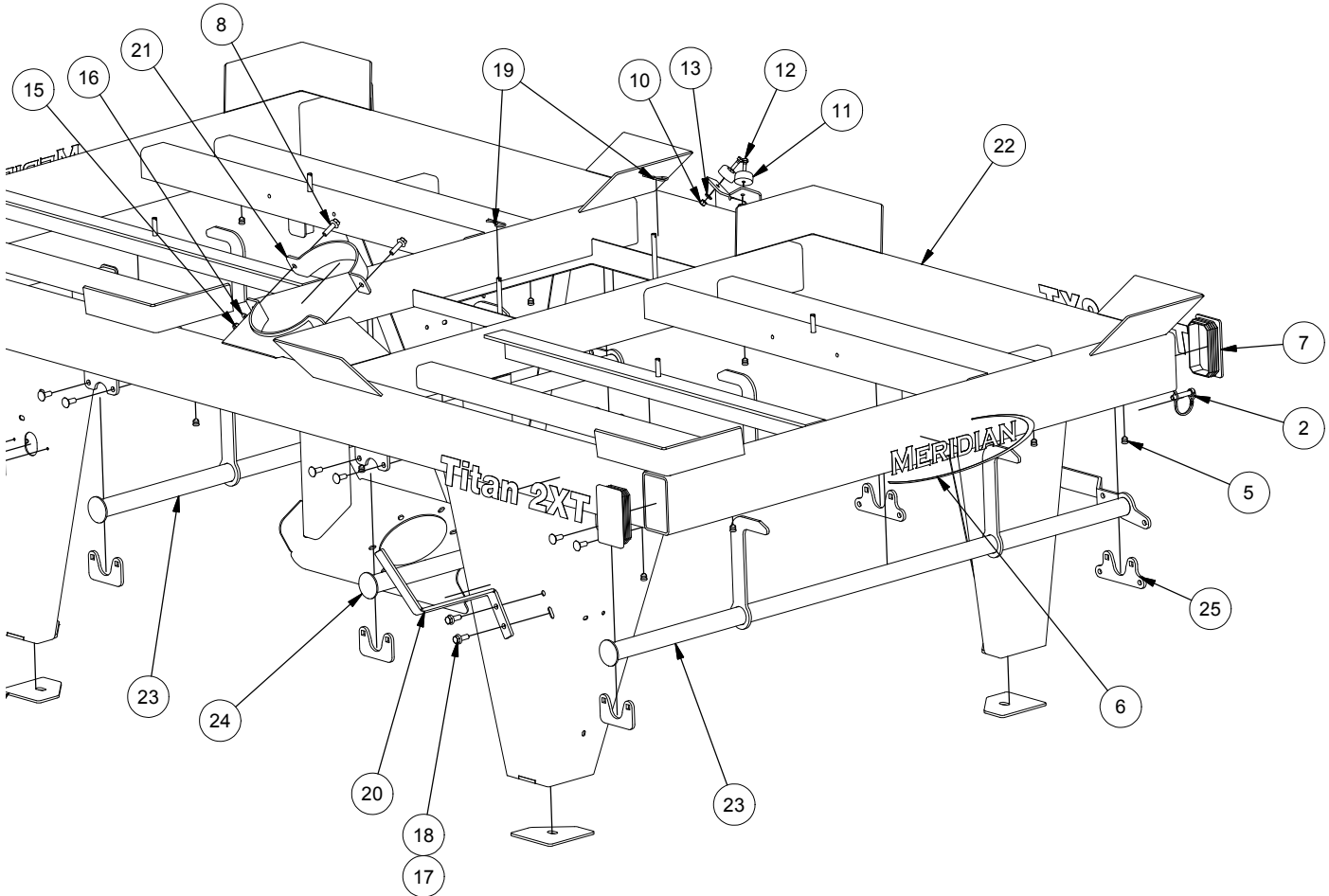
ITEM	QTY	MASS	PART #	DESCRIPTION
14	16	0.052 lbmass	19334	BOLT, CARRIAGE 3/8-16 UNC X 1
15	2	0.02058 lbmass	19347	Ø3/8"-16 UNC NYLON LOCKNUT
16	2	0.009 lbmass	19348	WASHER, FLAT 3/8
17	18	0.023 lbmass	19564	NUT, HEX, FLANGED, 3/8-16 UNC
18	2	0.069 lbmass	19569	BOLT, HEX, FLANGED, 3/8-16 UNC X 1
19	2	0.017 lbmass	19594	HAIRPIN COTTER PIN
20	1	1.257 lbmass	21036-00	FLEX SPOUT HANGER BRACKET
21	1	1.265 lbmass	40681	AUGER CRADLE PAINTED BONE WHITE
22	1	573.383 lbmass	41479	MODULE FRAME TITAN-2 XT - PAINT BONE WHITE
23	2	18.471 lbmass	41480	MODULE, BOX LOCK LATCH - (REAR) PAINTED BLACK
24	2	18.471 lbmass	41481	MODULE, BOX LOCK LATCH - (FRONT) PAINTED BLACK
25	4	0.565 lbmass	41482	HANDLE LOCK BRACKET - PAINT BONE WHITE
26	4	0.444 lbmass	41483	HANDLE LATCH PLATE - PAINT BONE WHITE
27	1	0.192 lbmass	51807	AUGER/CONVEYOR OPERATORS PLATE UP/DOWN







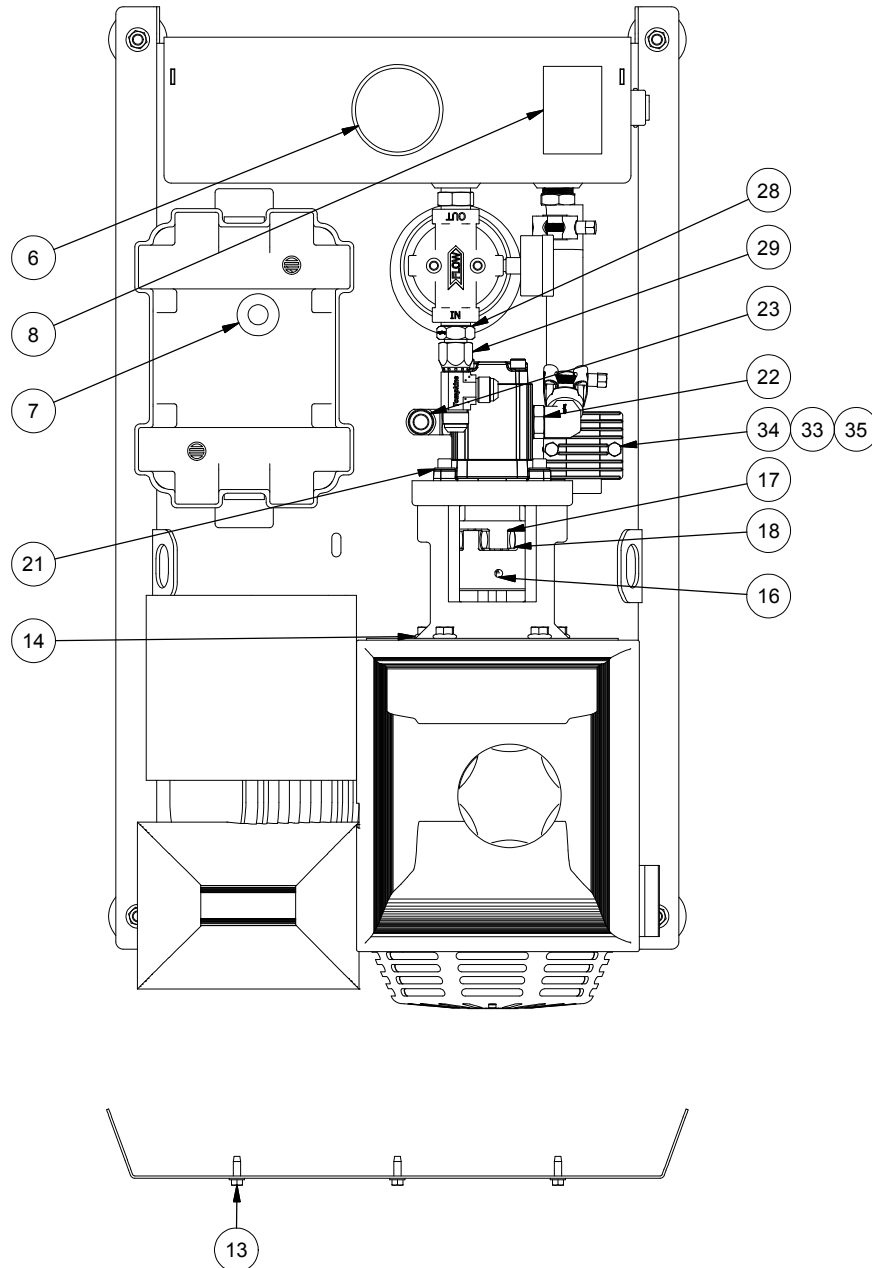
ITEM	QTY	MASS	PART #	DESCRIPTION
1	4	0.130 lbmass	10568	VIBRATION REDUCER PAD
2	4	0.129 lbmass	10574	PIN, SNAP, ZINC 3/8" X 1 3/8"
3	2	0.026 lbmass	12139	TITAN 2 XT DECAL
4	4	0.112 lbmass	14413	2 x 2 x 0.188 TUBE PLUG
5	16	0.002 lbmass	17255	PLUG TUBE ROUND Ø1/2" (16-20GA) (.065"-.035")
6	2	0.015 lbmass	17728	MERIDIAN TRAILER BLACK DECAL
7	4	0.170 lbmass	18420	PLASTIC PLUG FOR 5" x 3" x .188 WALL RECT TBG
8	2	0.077 lbmass	18680	BOLT, HEX, FLANGED, Steel, Mild 3/8-16 UNC X 1.25
9	2	0.009 lbmass	19089	RIVET Ø3/16" (.059"-.354" GRIP) CLOSED END SS
10	2	0.012 lbmass	19128	Ø1/4"-20 UNC NYLON HEX NUT
11	2	0.035 lbmass	19133	RUBBER BUMPER
12	2	0.023 lbmass	19301	BOLT, HEX, 1/4-20 UNC X1
13	2	0.006 lbmass	19307	WASHER, FLAT 1/4
14	16	0.052 lbmass	19334	BOLT, CARRIAGE 3/8-16 UNC X 1
15	2	0.02058 lbmass	19347	Ø3/8"-16 UNC NYLON LOCKNUT
16	2	0.009 lbmass	19348	WASHER, FLAT 3/8
17	18	0.023 lbmass	19564	NUT, HEX, FLANGED, 3/8-16 UNC
18	2	0.069 lbmass	19569	BOLT, HEX, FLANGED, 3/8-16 UNC X 1
19	2	0.017 lbmass	19594	HAIRPIN COTTER PIN
20	1	1.257 lbmass	21036-00	FLEX SPOUT HANGER BRACKET
21	1	1.265 lbmass	40681	AUGER CRADLE PAINTED BONE WHITE
22	1	573.383 lbmass	41479	MODULE FRAME TITAN-2 XT - PAINT BONE WHITE
23	2	18.471 lbmass	41480	MODULE, BOX LOCK LATCH - (REAR) PAINTED BLACK
24	2	18.471 lbmass	41481	MODULE, BOX LOCK LATCH - (FRONT) PAINTED BLACK
25	4	0.565 lbmass	41482	HANDLE LOCK BRACKET - PAINT BONE WHITE
26	4	0.444 lbmass	41483	HANDLE LATCH PLATE - PAINT BONE WHITE
27	1	0.192 lbmass	51807	AUGER/CONVEYOR OPERATORS PLATE UP/DOWN



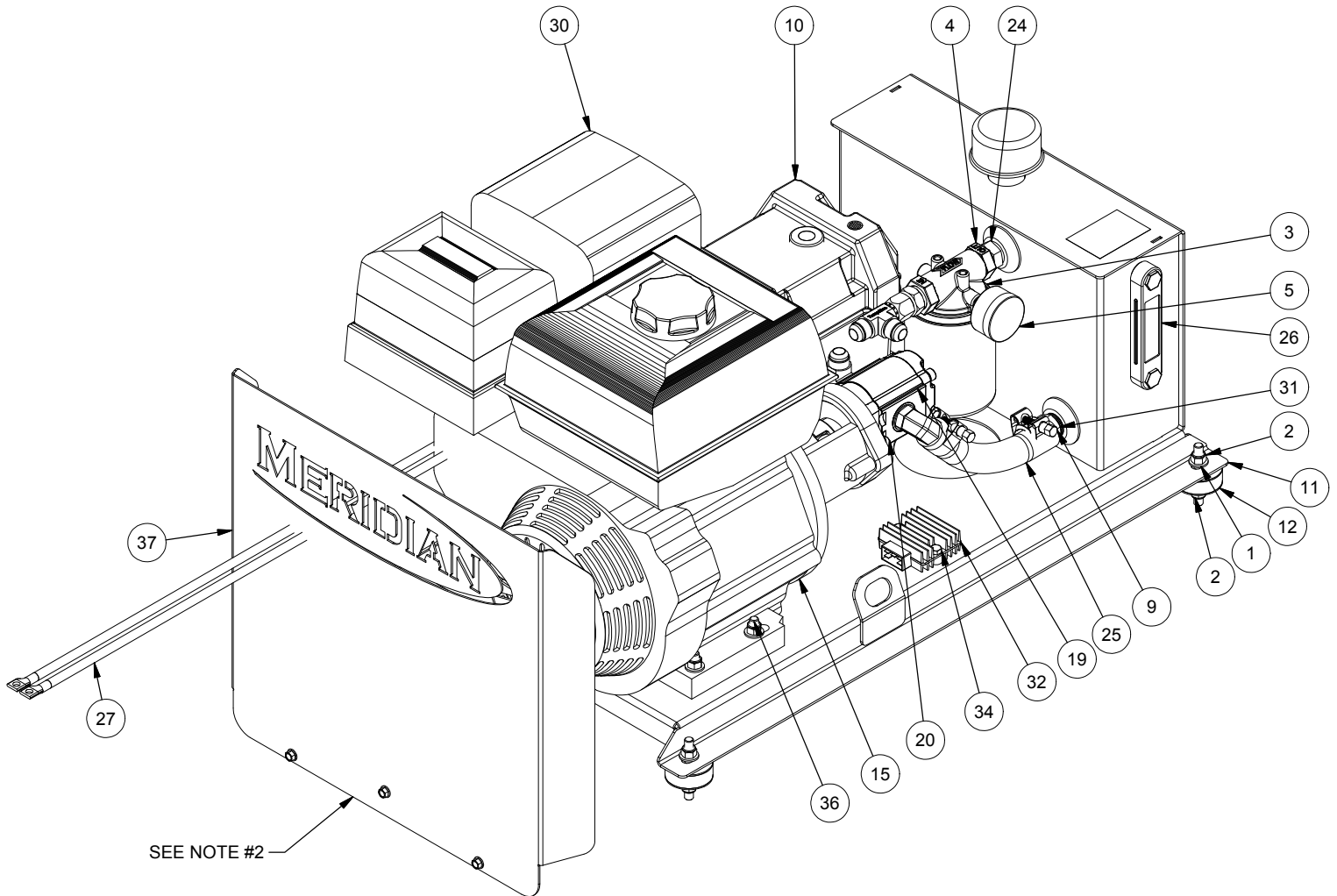
ITEM	QTY	MASS	PART #	DESCRIPTION
1	16	0.009 lbmass	19348	WASHER, FLAT 3/8
2	12	0.02058 lbmass	19347	Ø3/8"-16 UNC NYLON LOCKNUT
3	1	0.795 lbmass	17706	FILTER, HYD, 3/4" NPT, 10 MICRON, F3653-10C
4	1	0.525 lbmass	17005	HEAD, FILTER, 3/4" NPT, ZAF-07-25-1-3
5	1	0.144 lbmass	17006	GAUGE, FILTER HEAD, 1/8" NPT, PG-20
6	1	0.286 lbmass	17010	BREATHER CAP PUSH IN 1.5" ID BLK BEC061AB
7	1	0.445 lbmass	50169	SWITCH BATTERY TOP MOUNT ASSEMBLY
8	1	0.001 lbmass	20088	DECAL WARNING HOT SURFACE
9	2	0.127 lbmass	10186	CLAMP T-BOLT 1 5/32"-1 15/32" KURIYAMA TBC-SS031
10	1	0.972 lbmass	11219	BATTERY BOX - SMALL
11	1	35.347 lbmass	41179	POWERPACK FRAME TITAN 2 XT PAINTED BLACK
12	4	0.094 lbmass	17644	3/8"-16 X 3/4" THK VIBRATION-DAMPING MOUNT
13	7	0.019 lbmass	19597	Ø1/4"-14 x 3/4" HEX WASHER HEAD SELF DRILLING SCREW
14	4	0.069 lbmass	19569	BOLT, HEX, FLANGED, 3/8-16 UNC X 1
15	1	1.991 kg	10336	PUMP MOTOR ADAPTER BELL HOUSING

NOTES

1. SEE PAGE 2 FOR EXPLODED VIEWS
2. GUARD IS SELF TAPPED TO TRAILER FRAME
3. USE HYDRAULIC OIL APPROVED SEALANT ON ALL HYDRAULIC OIL TANK & FILTER FITTINGS
4. FILTER FLOW ARROW TO BE POINTING TOWARDS TANK



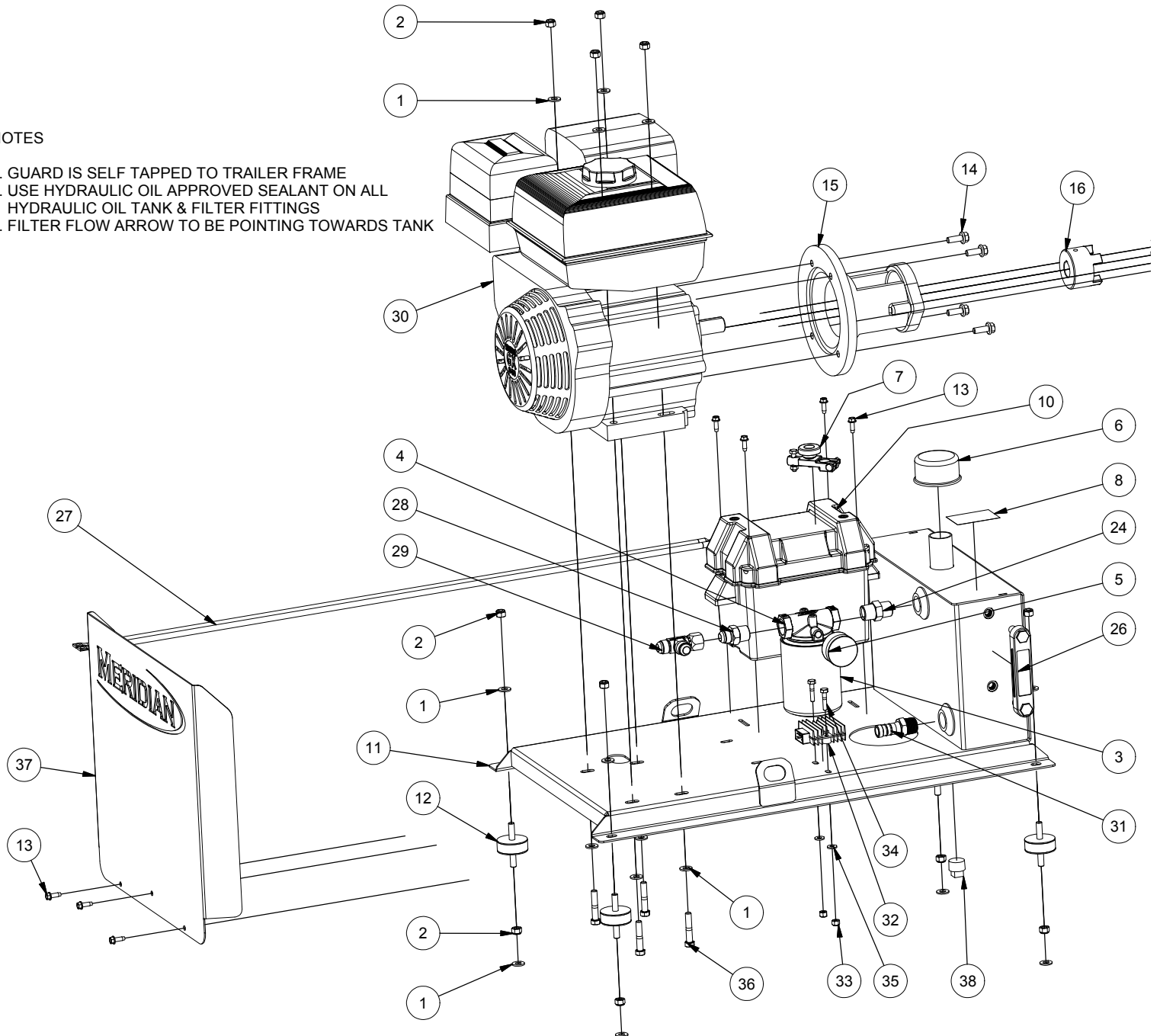
ITEM	QTY	MASS	PART #	DESCRIPTION
16	1	0.247 lbmass	10337	ENGINE COUPLING 1" SHAFT 168E-1507
17	1	0.160 lbmass	10338	PUMP COUPLING 1/2" SHAFT 168E-1508
18	1	0.020 kg	19291	RED COUPLING SPIDER
19	1	0.000 kg	10332	PUMP 9.3 CC/REV
20	2	0.034 lbmass	10374	Socket Head Cap Screw Ø5/16"-18 x 1" L Zinc
21	2	0.006 lbmass	19321	WASHER, FLAT 5/16
22	1	0.396 lbmass	10380	Adapter HYD 90° Elbow 7/8"-14 Male SAE Oring to 3/4" Beaded Hose Stem
23	1	0.175 kg	10383	Adapter HYD Elbow 90° 7/8"-14 Male JIC 37 DEG to 3/4"-16 Male SAE Oring
24	1	0.241 lbmass	10538	Hex Pipe Nipple 3/4"-14 Male NPT x 3/4"-14 Male NPT
25	1	0.220 lbmass	51751	Hose Hydraulic Tank to Pump 8.5" Long
26	1	1.481 lbmass	10536	Sight Level Gauge 5" C/C W/Thermometer T-LLG-5
27	1	2.817 lbmass	18657	CABLE BATTERY SET 45 IN
28	1	0.016 kg	18422	ADAPTER HYD 3/4"-14 NPT TO 7/8"-14 SAE 37 DEG
29	1	0.029 kg	18290	ADAPTER HYD TEE 7/8"-14 FEMALE SAE 37° BULKHEAD, 7/8"-14 MALE SAE 37°, 7/8"-14 MALE SAE 37°
30	1	97.783 lbmass	21274	HONDA GX340 (WITH IGNITION SWITCH)
31	1	0.260 lbmass	10566	Hose Barb 3/4" NPT Male x 3/4" Hose ID Steel Zinc
32	1	0.912 lbmass	RECTIFIER	GX340 HONDA ENGINE RECTIFIER
33	2	0.012 lbmass	19128	Ø1/4"-20 UNC NYLON HEX NUT
34	2	0.027 lbmass	17900	BOLT, HEX, 1/4-20 UNC X 1.25 Steel, Mild
35	2	0.006 lbmass	19307	WASHER, FLAT 1/4
36	4	0.085 lbmass	19328	BOLT, HEX, 3/8-16 UNC X2
37	1	8.756 lbmass	51752	GUARD POWERPACK TITAN 2 XT
38	1	0.199 lbmass	18006	3/4" Square Head Plug
---	0.125 gal		17007	Gear Oil 20W-50 (Gal) (NOT SHOWN)
---	4.000 gal		14000	Hydraulic Oil Filtered 6 Micron (Gal) (NOT SHOWN)
---	0.158 gal		14022	Motor Oil 10W-30 (Gal) (NOT SHOWN)



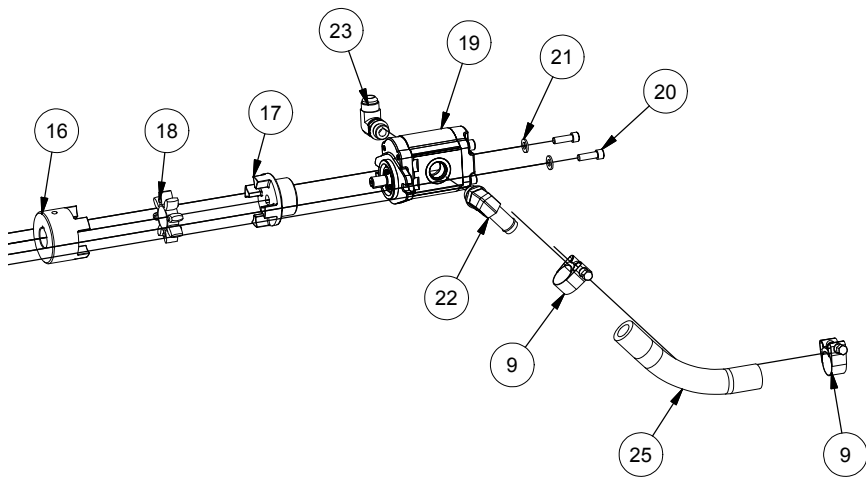
ITEM	QTY	MASS	PART #	DESCRIPTION
1	16	0.009 lbmass	19348	WASHER, FLAT 3/8
2	12	0.02058 lbmass	19347	Ø3/8"-16 UNC NYLON LOCKNUT
3	1	0.795 lbmass	17706	FILTER, HYD, 3/4" NPT, 10 MICRON, F3653-10C
4	1	0.525 lbmass	17005	HEAD, FILTER, 3/4" NPT, ZAF-07-25-1-3
5	1	0.144 lbmass	17006	GAUGE, FILTER HEAD, 1/8" NPT, PG-20
6	1	0.286 lbmass	17010	BREATHER CAP PUSH IN 1.5" ID BLK BEC061AB
7	1	0.445 lbmass	50169	SWITCH BATTERY TOP MOUNT ASSEMBLY
8	1	0.001 lbmass	20088	DECAL WARNING HOT SURFACE
9	2	0.127 lbmass	10186	CLAMP T-BOLT 1 5/32"-1 15/32" KURIYAMA TBC-SS031
10	1	0.972 lbmass	11219	BATTERY BOX - SMALL
11	1	35.347 lbmass	41179	POWERPACK FRAME TITAN 2 XT PAINTED BLACK
12	4	0.094 lbmass	17644	3/8"-16 X 3/4" THK VIBRATION-DAMPING MOUNT
13	7	0.019 lbmass	19597	Ø1/4"-14 x 3/4" HEX WASHER HEAD SELF DRILLING SCREW
14	4	0.069 lbmass	19569	BOLT, HEX, FLANGED, 3/8-16 UNC X 1
15	1	1.991 kg	10336	PUMP MOTOR ADAPTER BELL HOUSING
16	1	0.247 lbmass	10337	ENGINE COUPLING 1" SHAFT 168E-1507
17	1	0.160 lbmass	10338	PUMP COUPLING 1/2" SHAFT 168E-1508
18	1	0.020 kg	19291	RED COUPLING SPIDER
19	1	0.000 kg	10332	PUMP 9.3 CC/REV
20	2	0.034 lbmass	10374	Socket Head Cap Screw Ø5/16"-18 x 1" L Zinc

NOTES

1. GUARD IS SELF TAPPED TO TRAILER FRAME
2. USE HYDRAULIC OIL APPROVED SEALANT ON ALL HYDRAULIC OIL TANK & FILTER FITTINGS
3. FILTER FLOW ARROW TO BE POINTING TOWARDS TANK



ITEM	QTY	MASS	PART #	DESCRIPTION
21	2	0.006 lbmass	19321	WASHER, FLAT 5/16
22	1	0.396 lbmass	10380	Adapter HYD 90° Elbow 7/8"-14 Male SAE Oring to 3/4" Beaded Hose Stem
23	1	0.175 kg	10383	Adapter HYD Elbow 90° 7/8"-14 Male JIC 37 DEG to 3/4"-16 Male SAE Oring
24	1	0.241 lbmass	10538	Hex Pipe Nipple 3/4"-14 Male NPT x 3/4"-14 Male NPT
25	1	0.220 lbmass	51751	Hose Hydraulic Tank to Pump 8.5" Long
26	1	1.481 lbmass	10536	Sight Level Gauge 5" C/C W/Thermometer T-LLG-5
27	1	2.817 lbmass	18657	CABLE BATTERY SET 45 IN
28	1	0.016 kg	18422	ADAPTER HYD 3/4"-14 NPT TO 7/8"-14 SAE 37 DEG
29	1	0.029 kg	18290	ADAPTER HYD TEE 7/8"-14 FEMALE SAE 37° BULKHEAD, 7/8"-14 MALE SAE 37°, 7/8"-14 MALE SAE 37°
30	1	97.783 lbmass	21274	HONDA GX340 (WITH IGNITION SWITCH)
31	1	0.260 lbmass	10566	Hose Barb 3/4" NPT Male x 3/4" Hose ID Steel Zinc
32	1	0.912 lbmass	RECTIFIER	GX340 HONDA ENGINE RECTIFIER
33	2	0.012 lbmass	19128	Ø1/4"-20 UNC NYLON HEX NUT
34	2	0.027 lbmass	17900	BOLT, HEX, 1/4-20 UNC X 1.25 Steel, Mild
35	2	0.006 lbmass	19307	WASHER, FLAT 1/4
36	4	0.085 lbmass	19328	BOLT, HEX, 3/8-16 UNC X2
37	1	8.756 lbmass	51752	GUARD POWERPACK TITAN 2 XT
38	1	0.199 lbmass	18006	3/4" Square Head Plug
---	0.125 gal		17007	Gear Oil 20W-50 (Gal) (NOT SHOWN)
---	4.000 gal		14000	Hydraulic Oil Filtered 6 Micron (Gal) (NOT SHOWN)
---	0.158 gal		14022	Motor Oil 10W-30 (Gal) (NOT SHOWN)



This page intentionally left blank

LIMITED MATERIALS AND WORKMANSHIP WARRANTY FOR BULK SEED TENDERS

Meridian Manufacturing Inc. (hereinafter referred to as the Manufacturer) hereby warrants the Fuel Trailer(s) sold by it to be free from any defect in material or workmanship under normal use and service for a period of one (1) year from the date of shipment. The Manufacturer's obligation under this warranty shall be limited to the repair or replacement only, FOB the original point of shipment, of any defective parts or portions of the fuel trailer or accessories manufactured by Meridian®. Any warranty claim must be reported to the Manufacturer within one (1) year from the date of shipment.

THIS WARRANTY IS SUBJECT TO THE FOLLOWING LIMITATIONS, PROVISIONS AND CONDITIONS:

1. This warranty does not apply:
 - a. To any product sold by the Manufacturer where it is used in areas exposed to corrosive or aggressive conditions including salt water, acids, alkaloid, ash, cement dust, animal waste or other corrosive chemicals from either inside or outside the bin.
 - b. For failures or defects arising out of damage during shipment or during storage on site.
 - c. To materials replaced or repaired under this warranty except to the extent of the remainder of the applicable warranty.
 - d. To damage resulting from misuse, negligence, accident or improper site preparation by others.
 - e. If the product has been altered or modified by others.
 - f. If in the case of coating failures the failure is the result of damage, lack of proper maintenance or failure to remove road salt or other contaminants that may have come in contact with the bin surface.
 - g. To loss of time, inconvenience, loss of material, down time or any other consequential damage.
 - h. For a function that is different than original designed intent.
2. The obligation of the Manufacturer under this warranty shall not arise unless the Manufacturer is notified and this warranty is presented together with a written statement specifying the claim or defect within thirty (30) days after the failure is first detected or made known to the owner and within one (1) year from the shipment date. The Manufacturer in its sole discretion shall determine if the claim is valid and whether correction of the defect or failure shall be made by repair or replacement of the materials.
3. The coating warranty is based on the manufacturer's performance specification for Polyester Powder finishes and does not include repair of minor blemishes or rusting that is normally part of the general maintenance of the fuel trailer. This warranty does not cover excessive wear on interior coatings. See attachment for full Performance Specification details on Polyester Powder Finishes.
4. The obligation of the Manufacturer hereunder extends only to the original owner and to the Meridian® dealer to whom the materials may have been initially sold. This warranty shall not be subject to any assignment or transfer without the written consent of the Manufacturer.
5. The customer shall acknowledge that it has made its own independent decision to approve the use of the supplied materials and also the specific fabrication and construction procedures utilized to complete the fuel trailer, and has satisfied itself as to the suitability of these products for this particular application.
6. The foregoing sets forth the only warranties applicable to said materials and said warranties are given expressly and in lieu of all other warranties, expressed or implied, statutory or otherwise, of merchantability or fitness for a particular purpose and all warranties which exceed or differ from said warranties herein are disclaimed by the Manufacturer.
7. The owners sole and exclusive remedy against the Manufacturer shall be limited to the applicable warranty set forth herein and the endorsements, if any, issued together with this document and no other remedy (including but not limited to the recovery of assembly or disassembly costs, shipping costs, direct, incidental, special, indirect or consequential damages for lost profits, lost sales, injury to person or property or any other loss, whether arising from breach of contract, breach of warranty, tort, including negligence, strict liability or otherwise) shall be available to the owner or Meridian® Dealer or any other person or entities whether by direct action or for contribution or indemnity or otherwise.
8. The financial obligation of the Manufacturer under this warranty shall be limited to the repair or replacement of the product as originally supplied and in no event shall exceed the original cost of the product supplied.
9. The Manufacturer shall not have any obligation under any warranty herein until all accounts for materials, installation and erection of the said product thereof and for labor and other work performed by the Manufacturer or its dealers have been paid in full by the owner.

WARRANTY CLAIM PROCEDURE:

1. Should you find any factory defects, please advise your dealer immediately.
2. The dealer will supply you, the customer, with a warranty claim form and/or direct you to Meridian's customer service representative.
3. Warranty claims must be completed with ALL required information in order it to be accepted. Send photographs of the entire piece of equipment, and of the specific area of concern.
4. Once the warranty claim has been received by Meridian®, our customer service rep. will contact you. Warranty repair work will only be performed by Meridian® or an approved representative of Meridian®. No warranty work completed prior to approval by Meridian® will be honored. Failure to follow this procedure may affect any or all of this warranty.
5. All warranty claims will be dealt with at the discretion of the Meridian Manufacturing Inc. representative.

Effective July 1, 2009



(800) 437-2334 | www.meridianmfg.com | tenders@meridianmfg.com