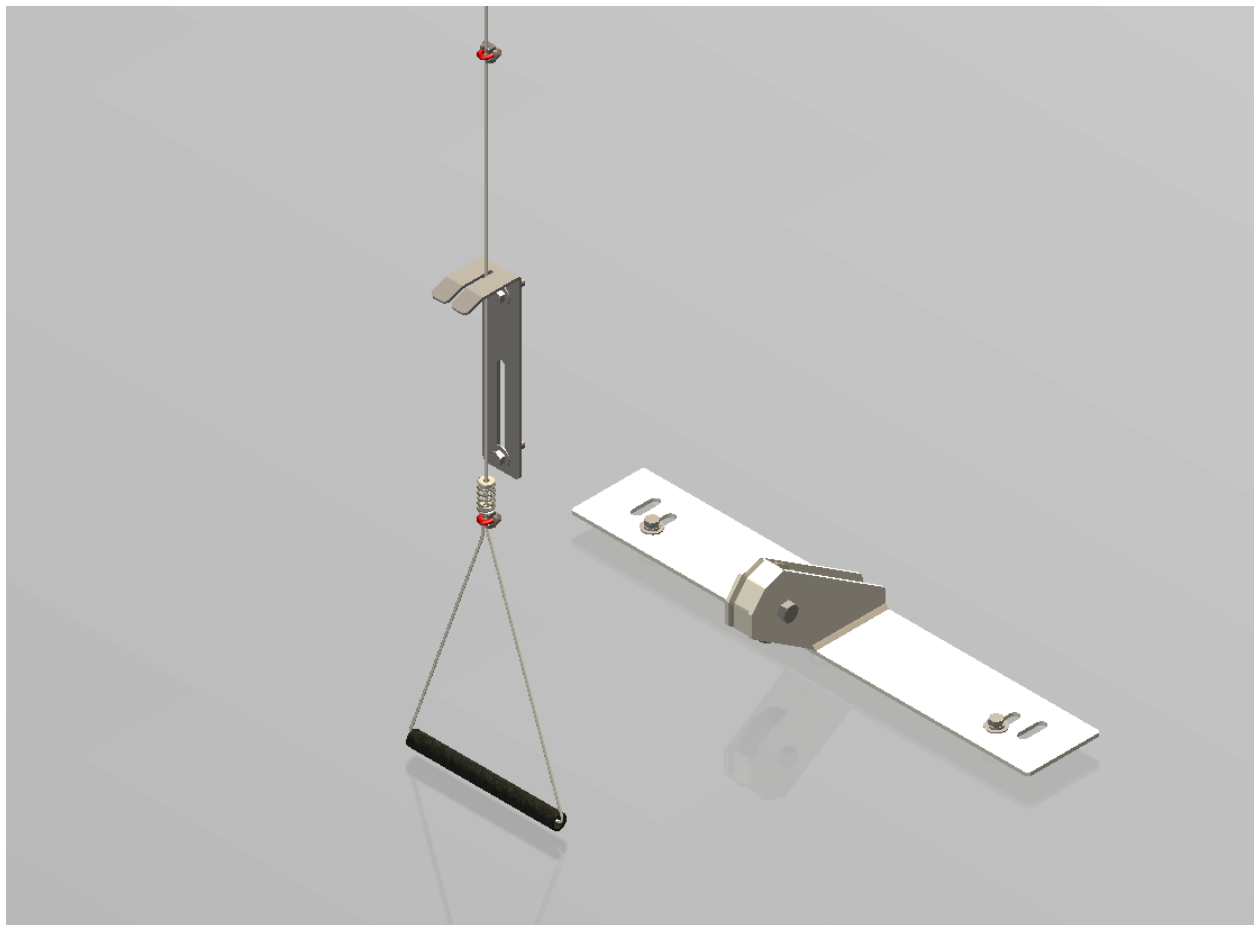




TO: Valued Customers and Dealers  
RE: KIT – TOP LID OPENER  
DATE: 27-July-2016  
VERSION: 1  
KIT #: 3-201-2497

In the pages ahead, please see the Assembly Instructions and Parts List of the Top Lid Opener for the new Meridian Bin Lid.



# TOP LID OPENER INSTALLATION

1. Loop the cable to the bolt and fasten it using a cable clamp.

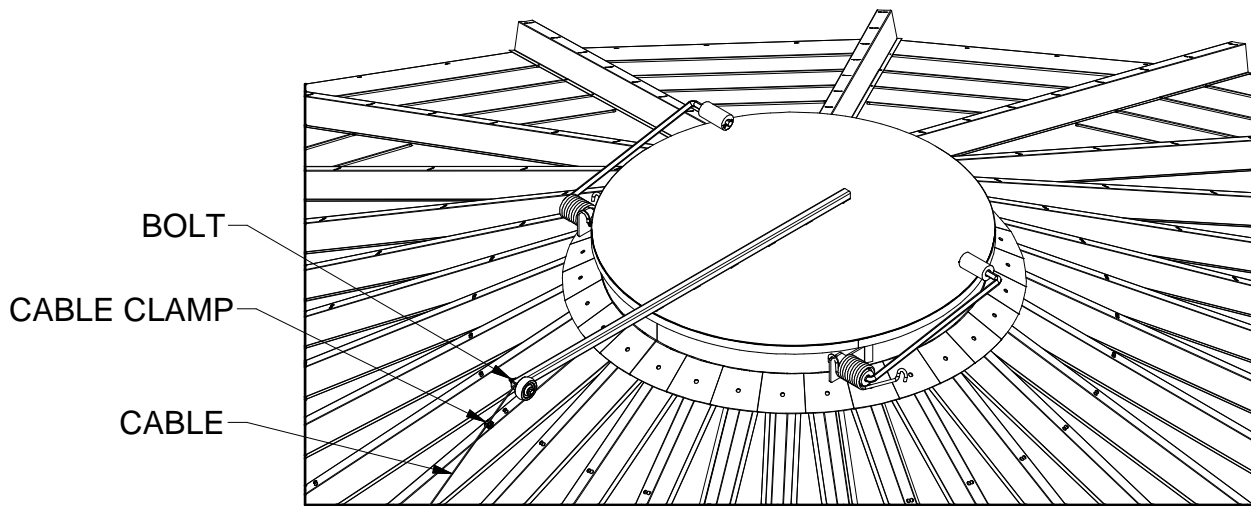


FIGURE 1

2. Remove the existing bolts on the eave. Place and align the slots of the Eave Roller Mount to the holes and attach it using the new 3/8" bolts. Thread cable along the pulley groove through the Eave Roller Mount.

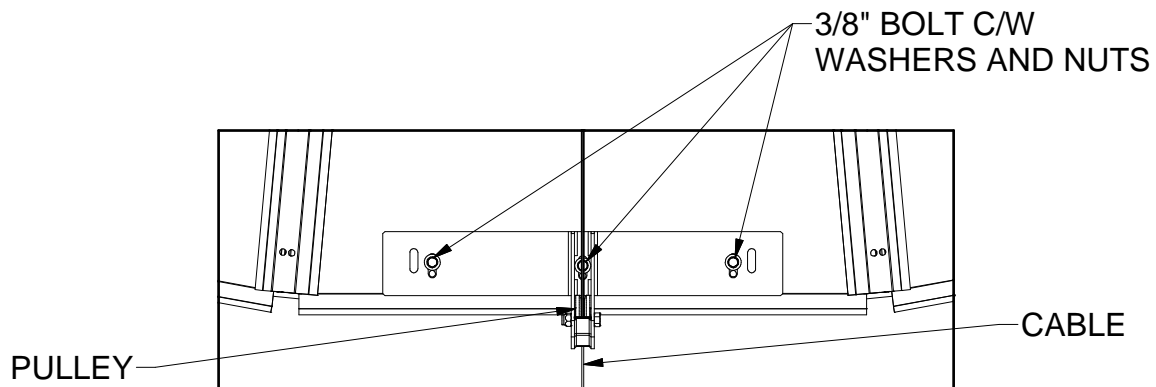


FIGURE 2

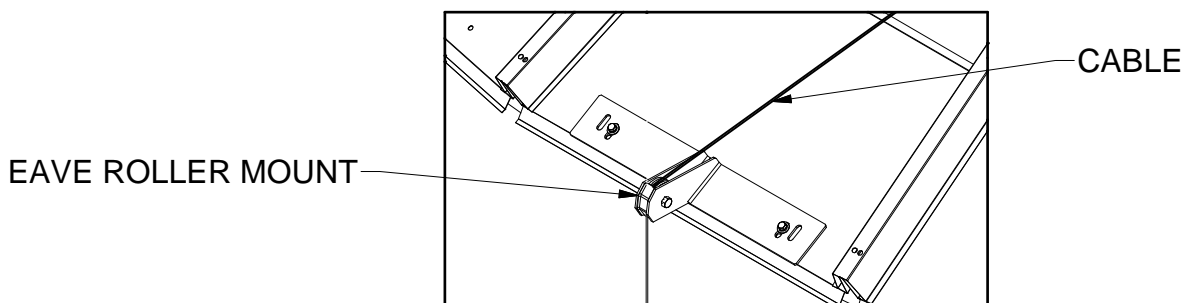


FIGURE 3

## ASSEMBLY

3. Install cleat hook approx. 7-8 ft above grade. If cleat position falls near a horizontal or vertical seam bolt, use this bolt to mount the cleat hook. If not, drill a hole to suit. Be sure to install a rubber washer behind the cleat to maintain a weather seal.

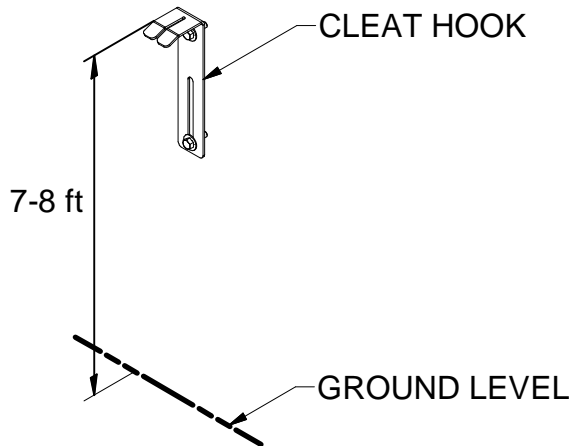


FIGURE 4

4. Pull the cable tight enough to just begin to open the bin lid. Mark the spot on the cable that is even with the cleat hook when the cable is slightly in tension. Thread the other end of the cable in order through 5/8" Whiz Nut, the Spring, 5/8" Whiz Nut, and the Plastic Handle. Loop the cable large enough to allow the handle to hang horizontally at 12". Push the nuts and spring above the mark. Clamp cable at the mark and trim. Insert whiz nuts into spring and position the spring on the top of the clamp. Position a second clamp approx. the diameter of the Bin Lid, tighten it firmly enough to hold the lid in the open position then adjust as required so that the lid is fully open.

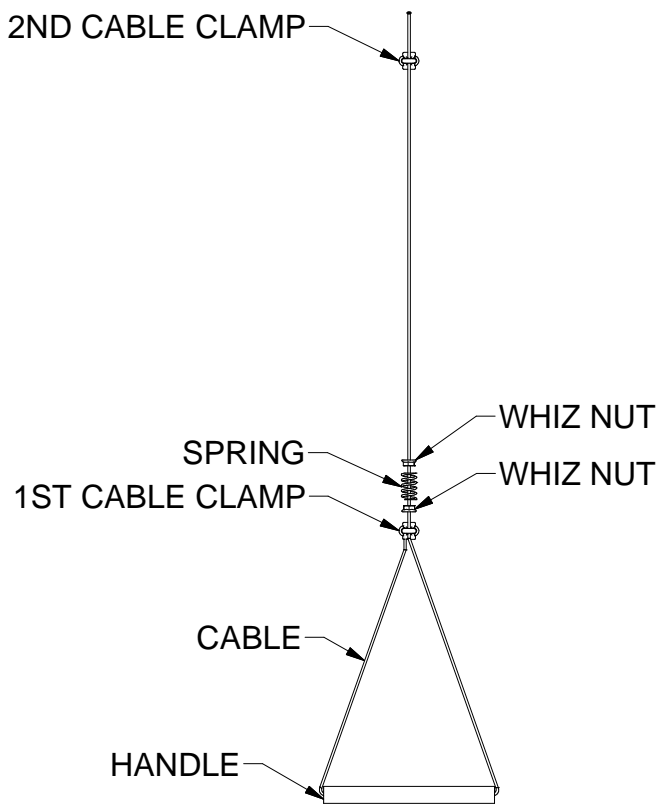


FIGURE 5

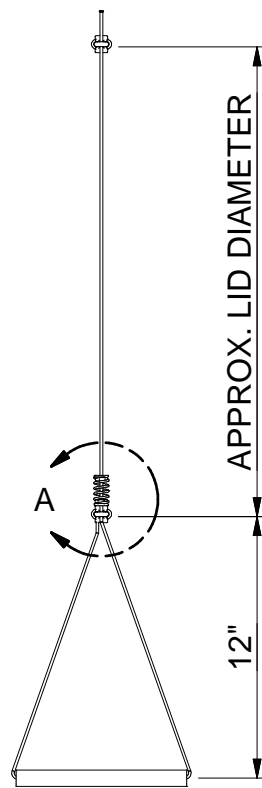
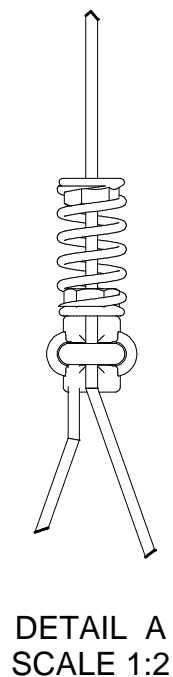
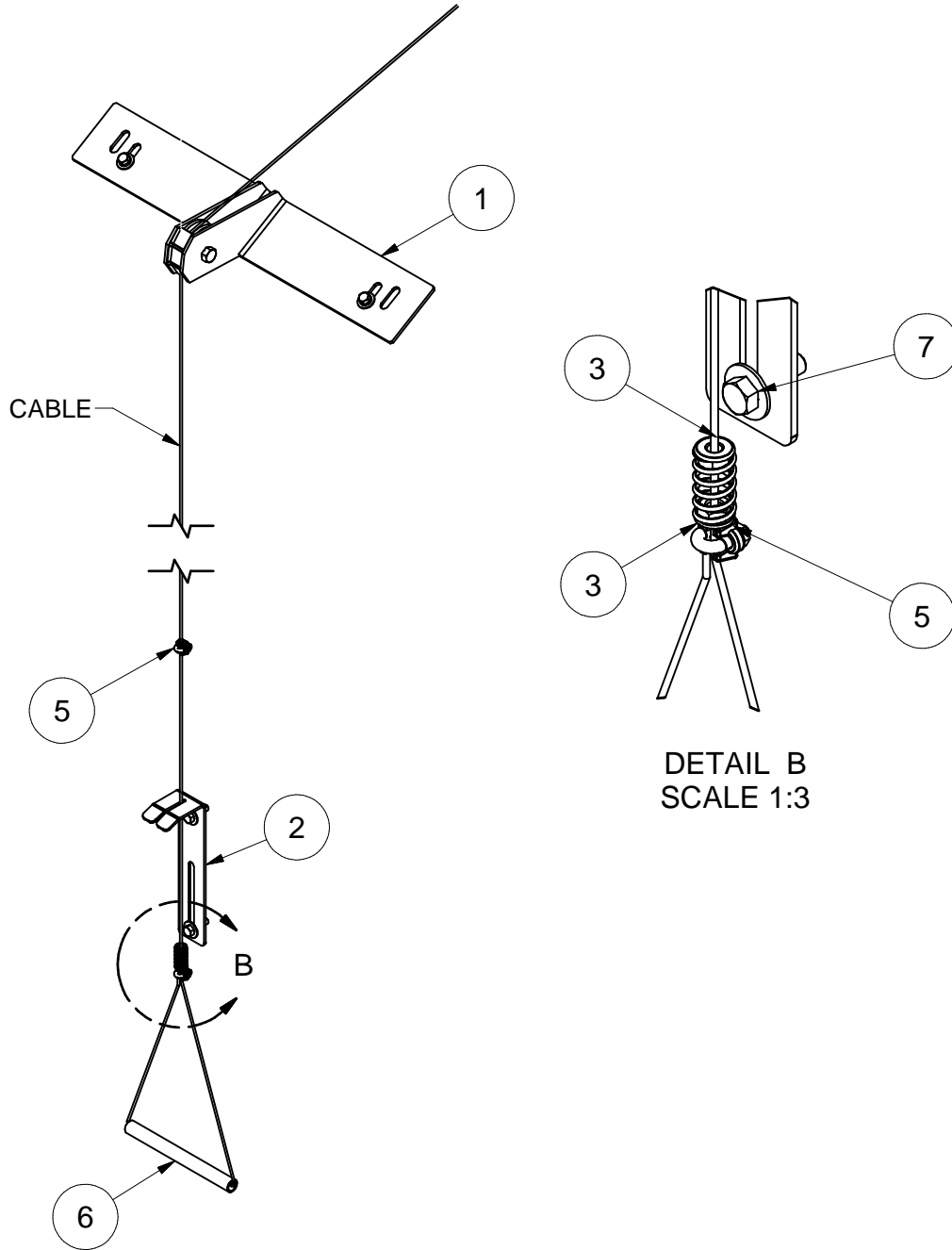


FIGURE 6



5. Test to see if the cap is fully open when the cleat traps the 2nd clamp, if not adjust it as needed.

## TOP LID OPENER KIT



## PARTS LIST OF PN# 3-201-2497

REF #	PART #	QUANTITY	DESCRIPTION
1	3-201-2490	1	EAVE ROLLER - BIN LID
3	13073100005	2	HEX FLANGED NUT 5/16-18 UNC
4	1300003057-00	1	DOOR CLOSURE SPRING
5	3-201-4109	3	CABLE CLAMP - 1/8
6	3-201-2496	1	PIPE - CABLE HANDLE - BIN LID
7	3-716-4057	2	BIN BOLT - 3/8 X 1.25 C/W LDPE WASHER AND NUT
2	5-0001-01	1	LID OPEN HOOK